

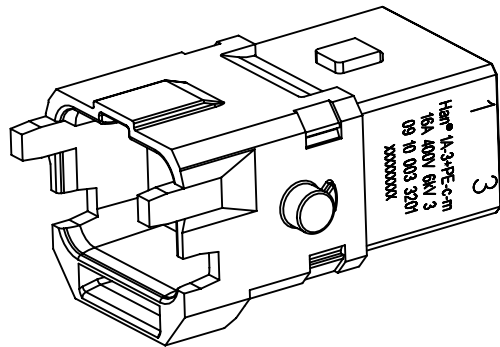
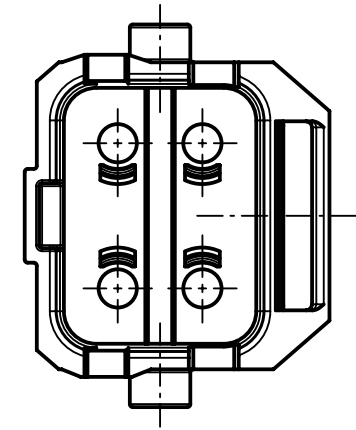
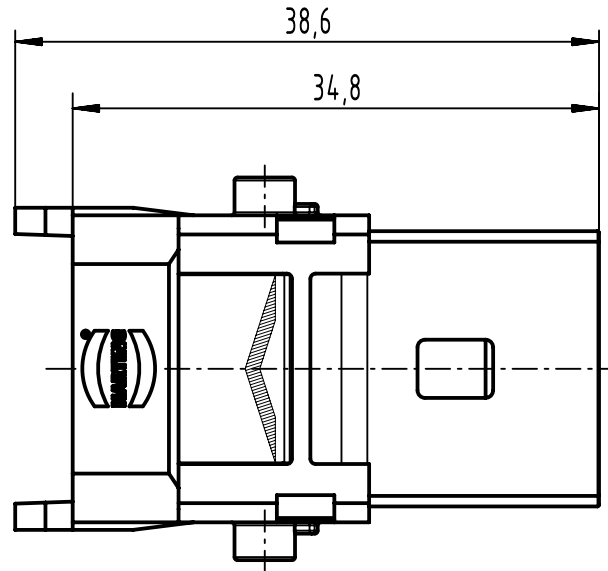
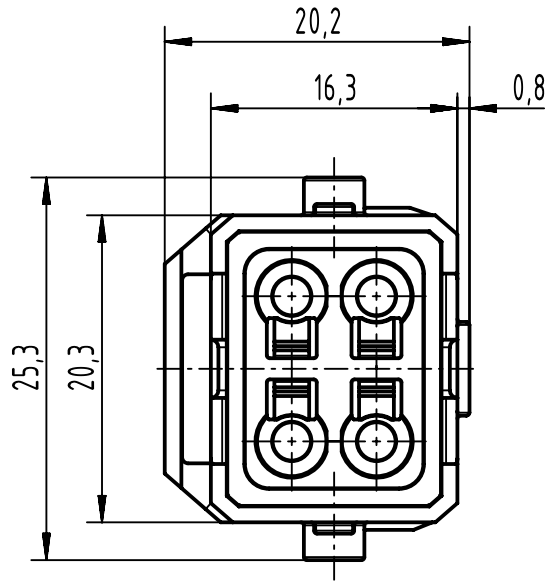
1 2 3 4 5 6

A

B

C

D



	All Dimensions in mm Original Size DIN A4		Scale 2:1	Free size tol.		Ref.
						Sub.
	All rights reserved		Created by HOLLERT	Inspected by LOETKEMANN	Standardisation TIEMANNA	Date 2020-10-16
	Department EL PD		Title Han 1A-3+PE-C-m latch			State Final Release
HARTING Electric GmbH & Co. KG D-32339 Espelkamp			Type TB	Number 09 10 003 3201		Doc-Key / ECM-Nr. 100760746/UGD/001/E 5000001814.04
					Rev. E	Page 1/1