

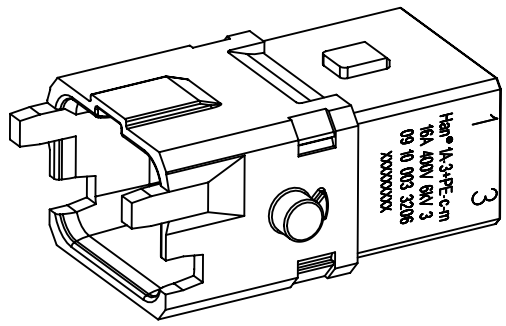
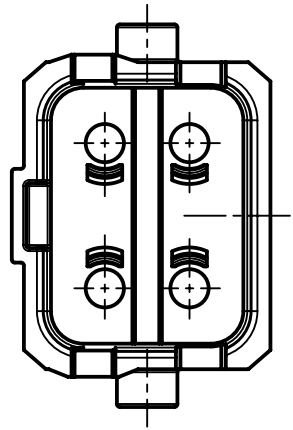
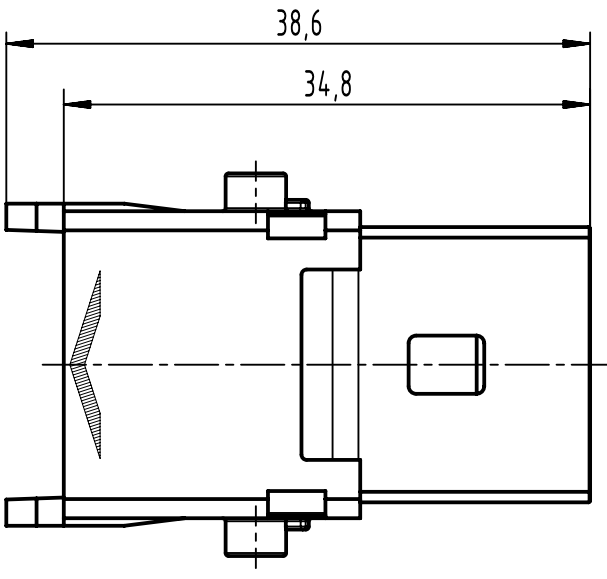
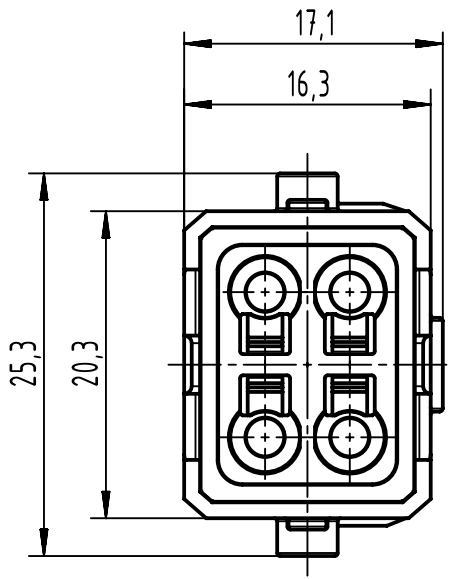
1 2 3 4 5 6

A

B

C

D



	All Dimensions in mm Original Size DIN A4		Scale 2:1	Free size tol.		Ref.	
			Created by HOLLERT	Inspected by LOETKEMANN	Standardisation TIEMANNA	Sub.	
All rights reserved		Department EL PD		Date 2020-10-16	State Final Release		
HARTING Electric GmbH & Co. KG D-32339 Espelkamp		Title Han 1A-3+PE-c-m			Doc-Key / ECM-Nr. 100760771/UGD/001/C 5000001814.04		
		Type TB	Number 09 10 003 3206			Rev. C	Page 1/1