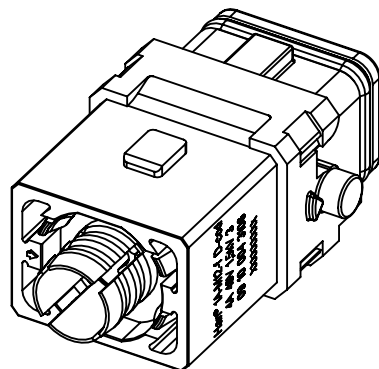


seal

assembly aid
and cable tie
enclosed

order contacts separately

wire gauge	part-no.
AWG 28-24	09 67 000 7476
AWG 26-22	09 67 000 5476
AWG 24-20	09 67 000 8476
AWG 22-18	09 67 000 3476



	All rights reserved Department EL PD	All Dimensions in mm Original Size DIN A4	Scale 2:1	Free size tol.	Ref. Sub.	
		HARTING Electric GmbH & Co. KG D-32339 Espelkamp	Created by ROEBEN	Inspected by LOETKEMANN	Standardisation 302077	Date 2020-11-19
Title Han 1A-M12-f D-coded					Doc-Key / ECM-Nr. 100765299/UGD/001/G 500000183756	
Type TB			Number 09 10 004 3106		Rev. G	Page 1/1