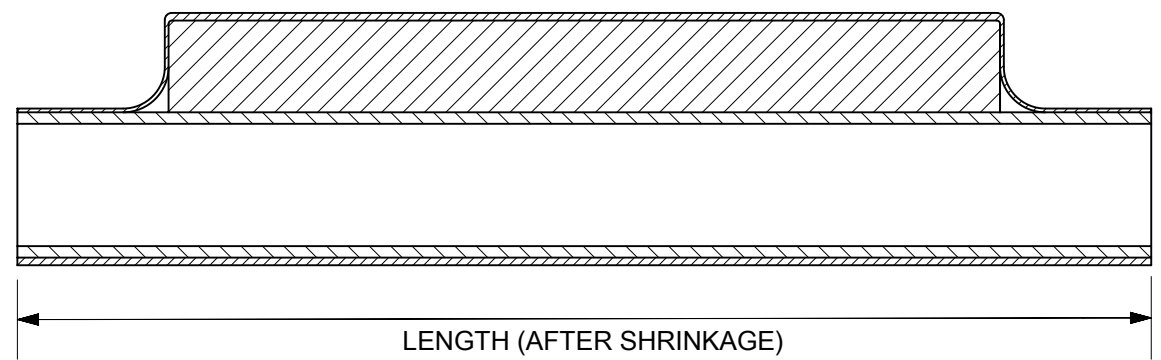
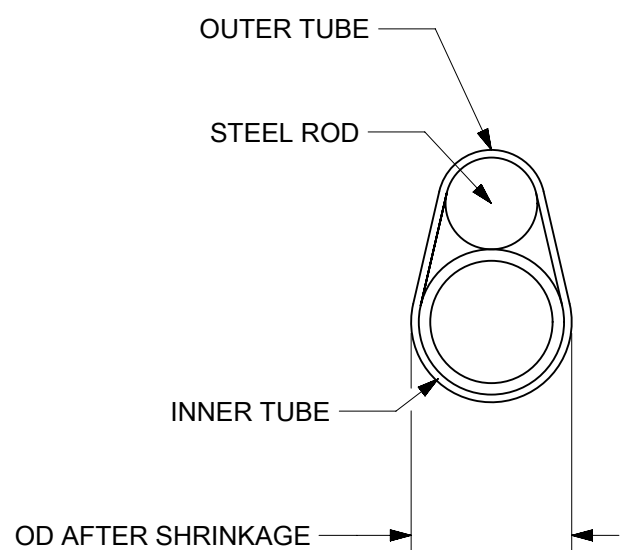
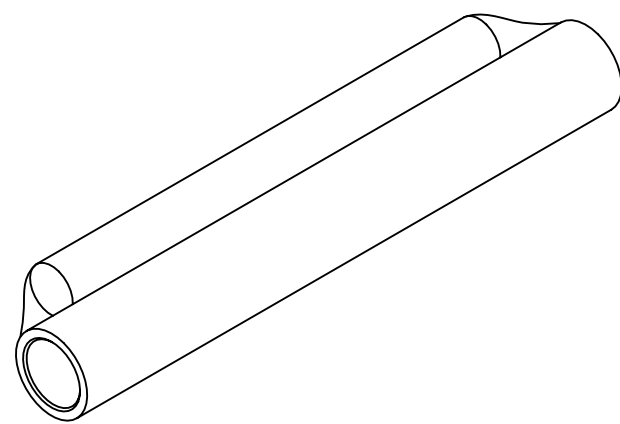


ITEM	MOLEX P/N	OUTER TUBE (AFTER SHRINKAGE)	
		OD	LENGTH
1.	1069200000	2.3±0.1	40±0.1
2.	1069200001	2.4±0.1	45±0.1
3.	1069200002	2.6±0.1	60±0.1



NOTE:
1. THE PACKAGE METHOD PER MOLEX STANDARD.

FUNCTIONAL SYMBOLS FA = 0 FE = 0 FE = 0	THIS DRAWING CONTAINS INFORMATION THAT IS PROPRIETARY TO MOLEX ELECTRONIC TECHNOLOGIES, LLC AND SHOULD NOT BE USED WITHOUT WRITTEN PERMISSION		 HST 1C		
	DIMENSION UNITS	SCALE			
	mm	1:1	EC NO: 729937		
	GENERAL TOLERANCES (UNLESS SPECIFIED)		DRWN: PAWANC 2022/11/25		
ANGULAR TOL ± 0.5°		CHKD: NCHEN08 2022/11/27			
4 PLACES ±		APPR: NCHEN08 2022/11/27			
DIVISIONAL SYMBOLS	3 PLACES ±		INITIAL REVISION:		
	2 PLACES ±		DRWN: PAWANC 2022/10/03		
	1 PLACE ±		APPR: NCHEN08 2022/10/13		
	0 PLACES ±		MATERIAL NUMBER: 106920		
DRAFT WHERE APPLICABLE MUST REMAIN WITHIN DIMENSIONS		THIRD ANGLE PROJECTION	DRAWING	SERIES	CUSTOMER
			B-SIZE	106920	GENERAL MARKET
DOCUMENT STATUS		P1	RELEASE DATE	2022/11/27 23:55:00	SHEET NUMBER
					1 OF 1