

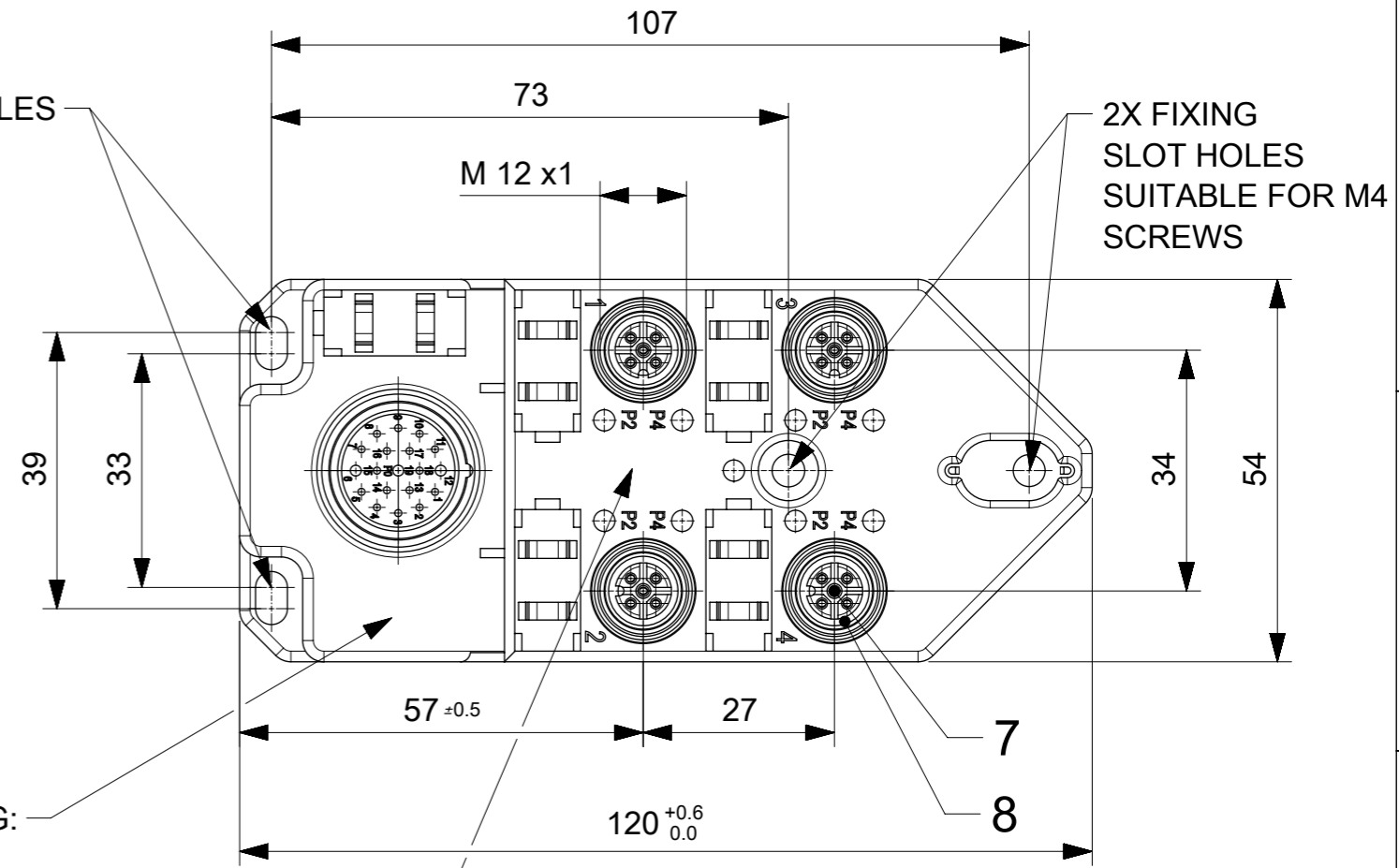
TABLE 1

MOLEX P/N	ENG. NO.	LED
1202480061	BTB4030-FBC	NO
1202480062	BTB403P-FBC	YES
1202480134	BTB403N-FBC	YES

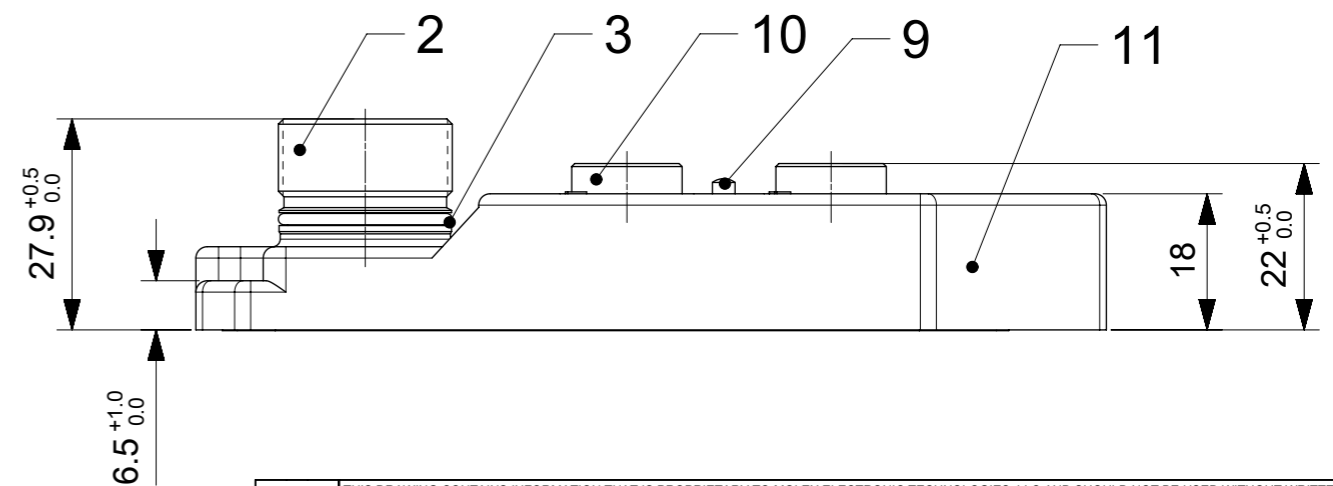
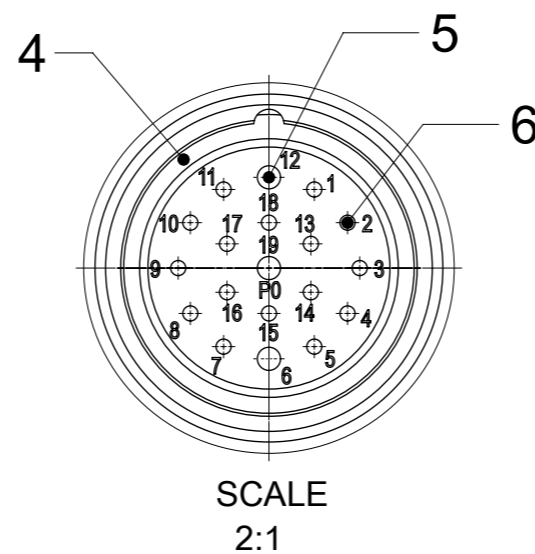
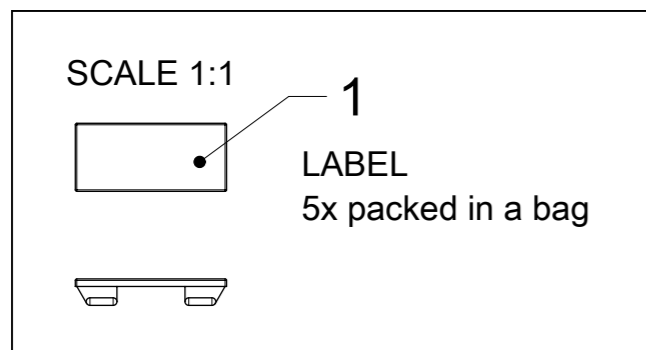
TABLE 2 BILL OF MATERIAL

ITEM	DESCRIPTION	MATERIAL	FINISH
1	LABEL	ABS	WHITE
2	SHELL	BRASS	NICKEL PLATED
3	O-RING	NBR	BLACK
4	O-RING	NBR	BLACK
5	CONTACT	BRASS	GOLD OVER NICKEL
6	CONTACT	BRASS	GOLD OVER NICKEL
7	CONTACT	BRONZE	GOLD OVER NICKEL
8	O-RING	FPM	RED
9	LED	NO LED = PA	BLACK
		WITH LED = PA	TRANSPARENT
10	SHELL	BRASS	NICKEL PLATED
11	HOUSING	PBT	BLACK

2X FIXING SLOT HOLES
SUITABLE FOR M4
SCREWS



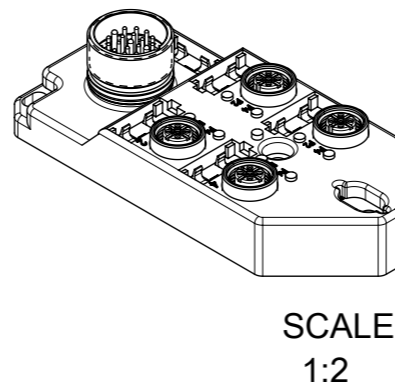
LASER PRINTING:
PN: 120248XXXX
ENG.: BTB403X-FBC
PO: XXXXXXXXXX



GENERAL CHARACTERISTICS:

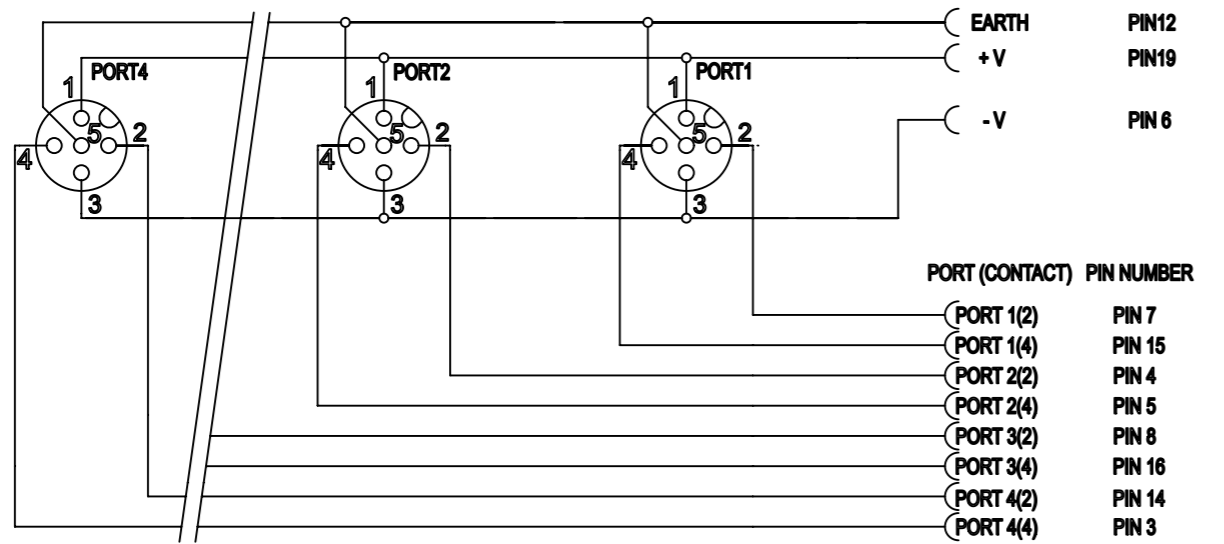
ELECTRICAL AND MECHANICAL DATA ACC. TO IEC 61076-2-101

NOMINAL VOLTAGE: 10-30 V DC
 AMPERE RATING: 4 A PER PORT / 12 A MAX
 AMPERE RATING WITH UL REGISTRATION: 3 A PER PORT / 9 A MAX
 IP DEGREE OF PROTECTION: IP 67
 TEMPERATURE RANGE: -25°C to + 85°C

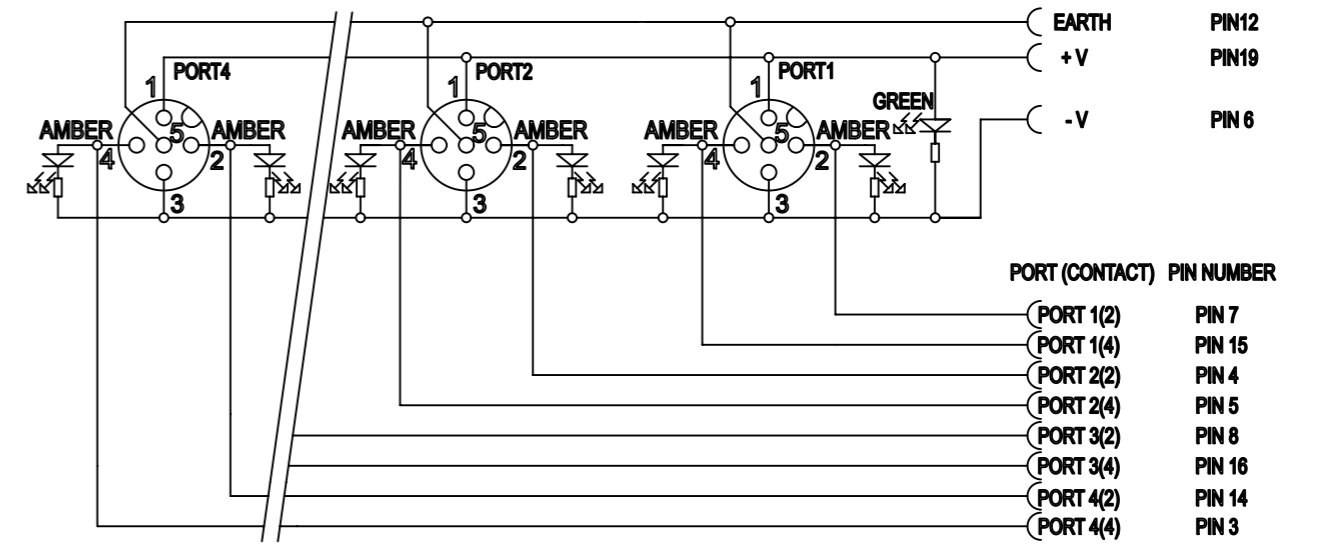


SYMBOLS		THIS DRAWING CONTAINS INFORMATION THAT IS PROPRIETARY TO MOLEX ELECTRONIC TECHNOLOGIES, LLC AND SHOULD NOT BE USED WITHOUT WRITTEN PERMISSION	
DIMENSION UNITS	SCALE	CURRENT REV DESC:	SCALE
mm		LASER PRINT UPDATE	
GENERAL TOLERANCES (UNLESS SPECIFIED)		molex	
ANGULAR TOL	± °	EC NO: 606042	MPIS M12 PNP NPN NOS 5P 4PT 19P M23 BK XM STA DUAL
4 PLACES	±	DRWN: SSM 2018/08/30	
3 PLACES	±	CHK'D: RSILLER 2018/10/18	
2 PLACES	±	APPR: RSILLER 2018/10/18	
1 PLACE	±	INITIAL REVISION:	PRODUCT CUSTOMER DRAWING
0 PLACES	± 0.25	DRWN: AAHLERS 2015/04/02	DOCUMENT NUMBER
		APPR: RSILLER 2015/05/20	1202480061
DRAFT WHERE APPLICABLE MUST REMAIN WITHIN DIMENSIONS	THIRD ANGLE PROJECTION	DRAWING	DOC TYPE
		A3-SIZE	PSD
		SERIES	DOC PART
		120248	000
		MATERIAL NUMBER	REVISION
		SEE TABLE 1	B
		CUSTOMER	SHEET NUMBER
		GENERAL MARKET	1 OF 2

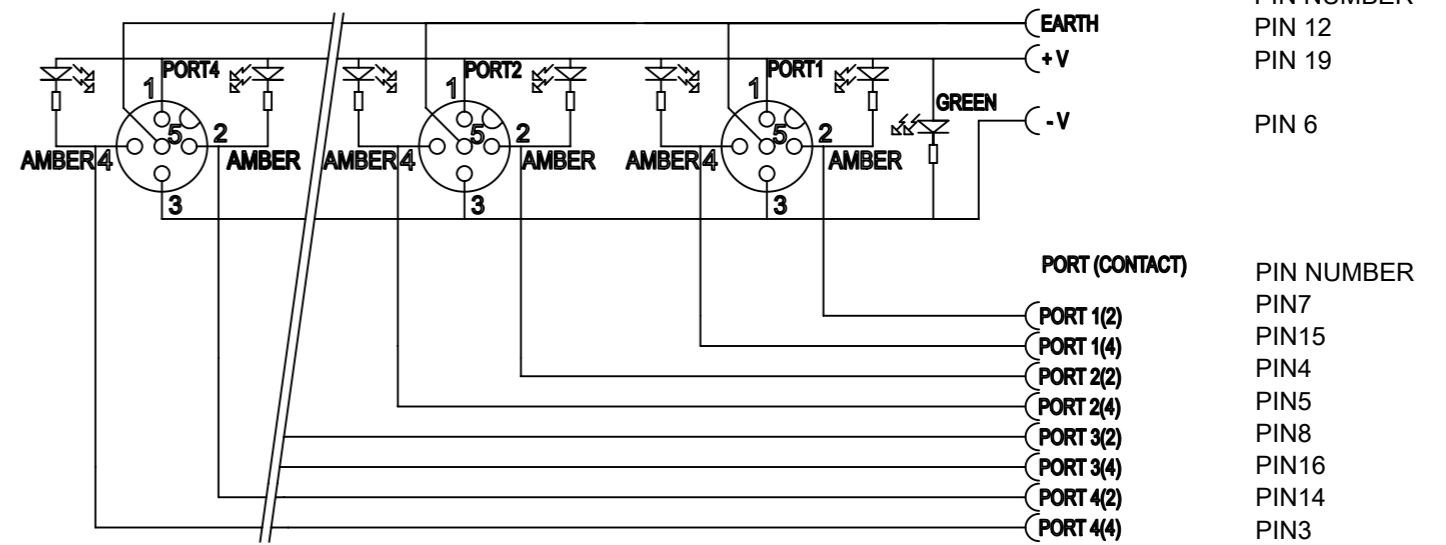
Wiring Diagram NON LED



Wiring Diagram PNP



Wiring Diagram NPN Dual



SYMBOLS DIMENSION UNITS: mm SCALE: 1:1 GENERAL TOLERANCES (UNLESS SPECIFIED): ANGULAR TOL: ± 0° 4 PLACES: ± 0.1 3 PLACES: ± 0.05 2 PLACES: ± 0.025 1 PLACE: ± 0.0125 0 PLACES: ± 0.25 DRAFT WHERE APPLICABLE MUST REMAIN WITHIN DIMENSIONS	THIS DRAWING CONTAINS INFORMATION THAT IS PROPRIETARY TO MOLEX ELECTRONIC TECHNOLOGIES, LLC AND SHOULD NOT BE USED WITHOUT WRITTEN PERMISSION CURRENT REV DESC: LASER PRINT UPDATE		
	EC NO: 606042 DRWN: SSM 2018/08/30 CHK'D: RSILLER 2018/10/18 APPR: RSILLER 2018/10/18		
INITIAL REVISION: DRWN: AAHLERS 2015/04/02 APPR: RSILLER 2015/05/20			PRODUCT CUSTOMER DRAWING
DOCUMENT NUMBER: 1202480061		DOC TYPE: PSD DOC PART: 000 REVISION: B	SHEET NUMBER: 2 OF 2
MATERIAL NUMBER: SEE TABLE 1 CUSTOMER: GENERAL MARKET		DRAWING: A3-SIZE SERIES: 120248	