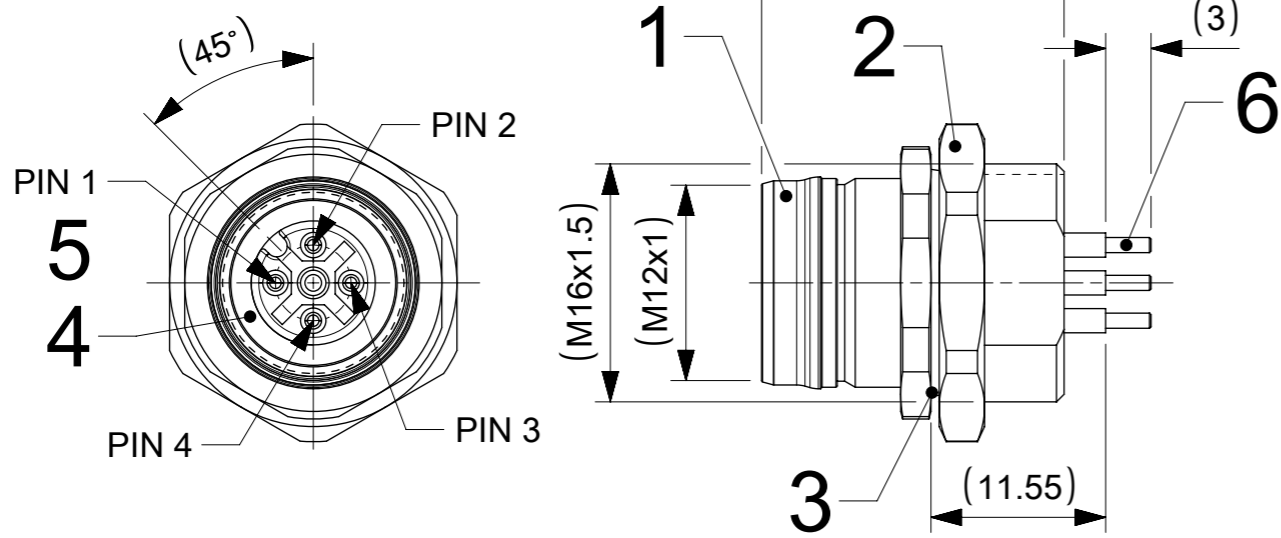
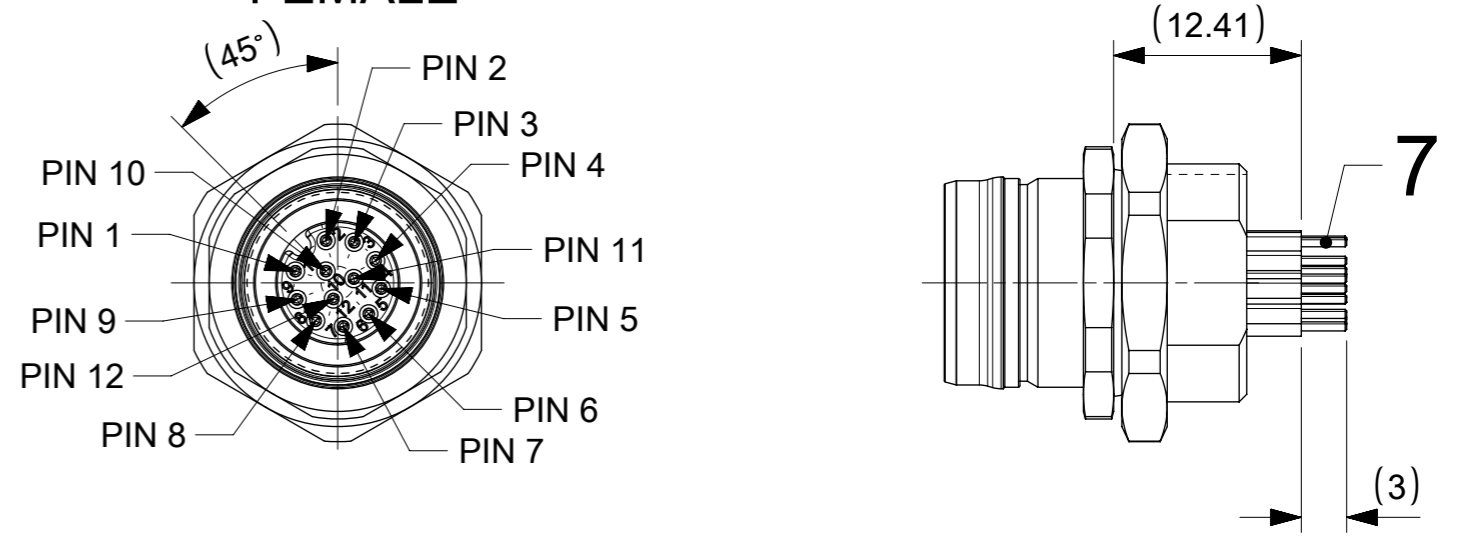


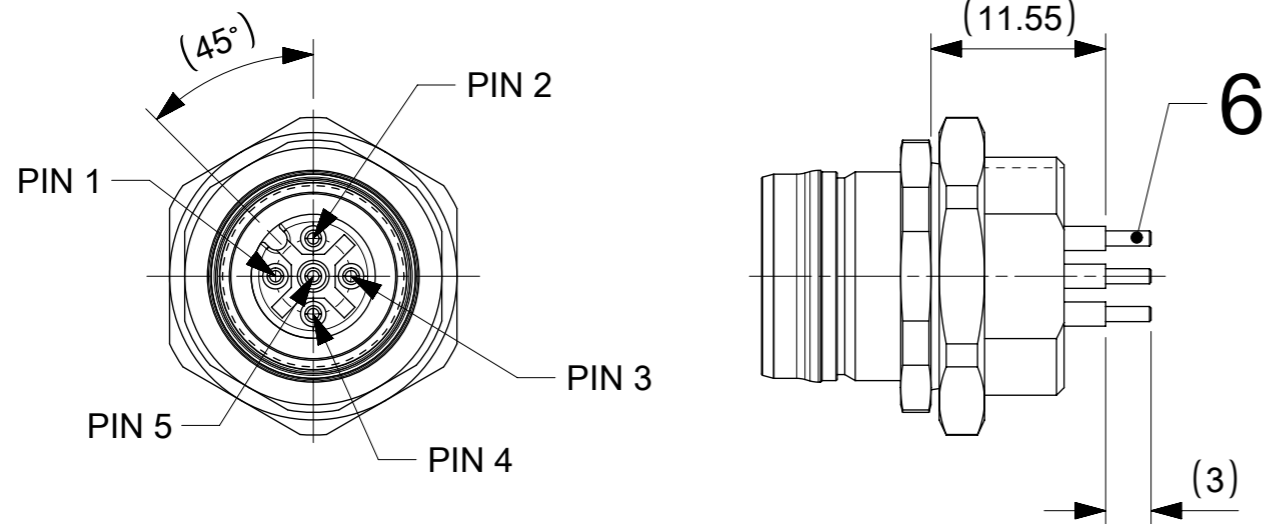
M12 4 POL AC FEMALE



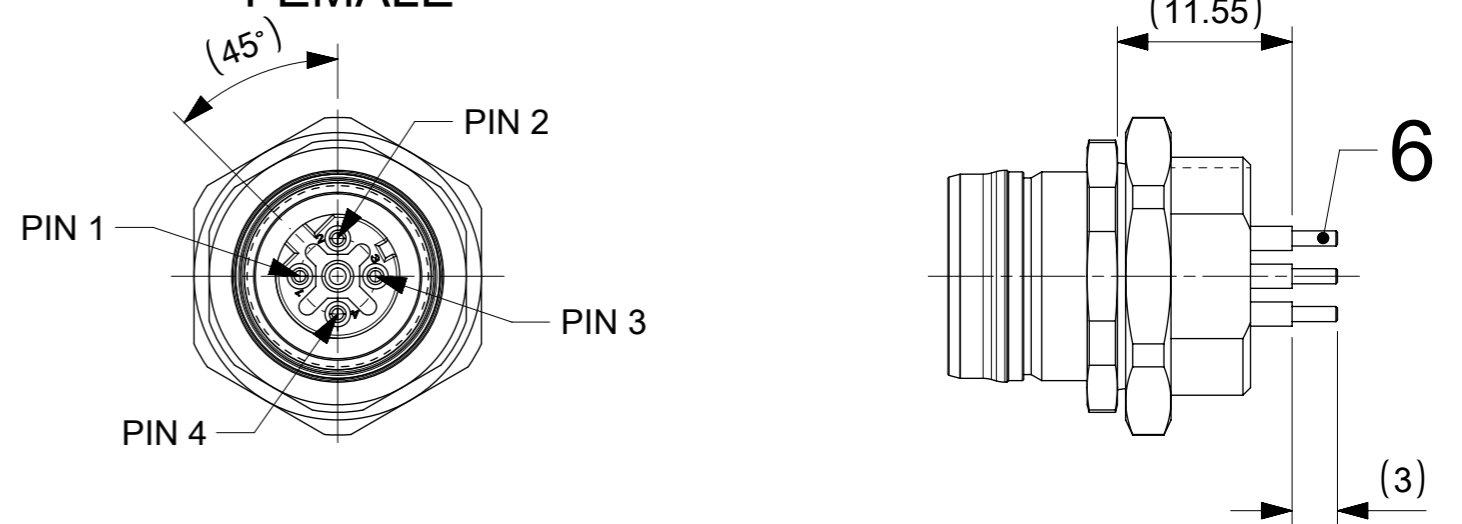
M12 12 POL AC FEMALE



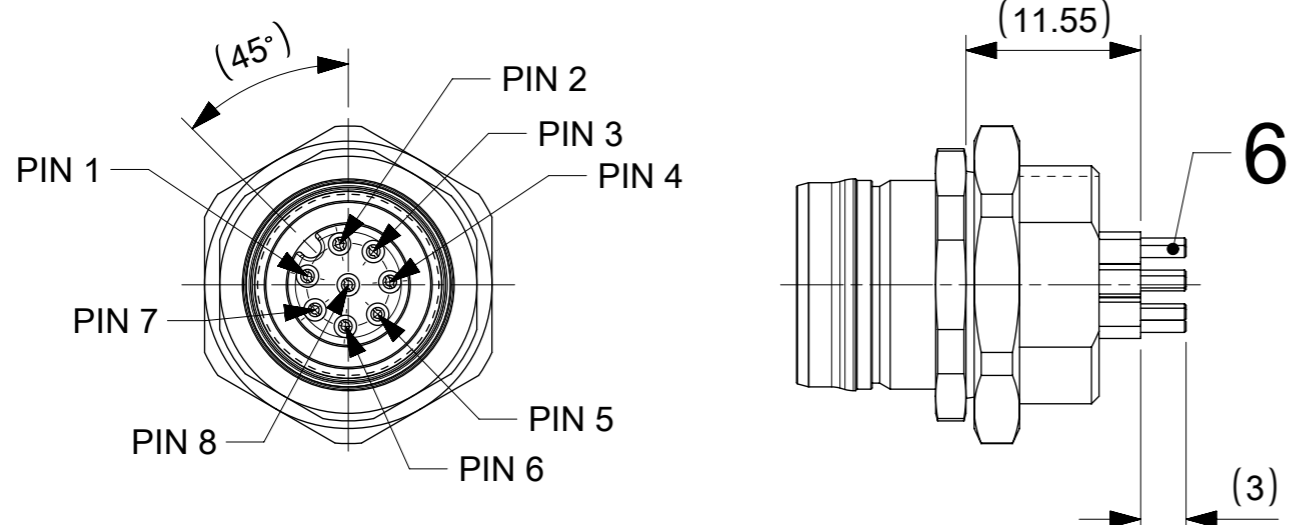
M12 5 POL AC FEMALE



M12 4 POL DC FEMALE



M12 8 POL AC FEMALE



FUNCTIONAL SYMBOLS	THIS DRAWING CONTAINS INFORMATION THAT IS PROPRIETARY TO MOLEX ELECTRONIC TECHNOLOGIES, LLC AND SHOULD NOT BE USED WITHOUT WRITTEN PERMISSION				
	$\nabla_A = 0$ $\nabla_F = 0$ $\nabla_V = 0$	DIMENSION UNITS: mm SCALE: 2:1			
DIVISIONAL SYMBOLS	GENERAL TOLERANCES (UNLESS SPECIFIED)		EC NO: 746703 DRWN: FDAFERNER CHK'D: RSILLER APPR: RSILLER		
	ANGULAR TOL $\pm 1.0^\circ$		2023/04/18 2023/04/19 2023/04/19		
	4 PLACES \pm		INITIAL REVISION: DRWN: FDAFERNER APPR: RSILLER		
	3 PLACES \pm		2021/02/15 2022/07/12		
	2 PLACES ± 0.05		DOCUMENT NUMBER: 1204040026 DOC TYPE: PSD DOC PART: 000 REVISION: B		
1 PLACE ± 0.3		MATERIAL NUMBER: SEE PART LIST CUSTOMER: GENERAL MARKET			
0 PLACES ± 0.5		DRAFT WHERE APPLICABLE MUST REMAIN WITHIN DIMENSIONS THIRD ANGLE PROJECTION DRAWING: A3-SIZE SERIES: 120404 SHEET NUMBER: 1 OF 3			

TABLE 1 - 4P A-CODE

ITEM	QTY	DESCRIPTION	MATERIAL	FINISH/COLOR
1	1	SHELL M16 FE BRASS FM L20 NI REC U12	BRASS	Ni
2	1	M16 X 1.5 LOCKNUT NICKEL PLATED		
3	1	GASKET OR NBR 11X2 BK	NBR	BLACK
4	1	GASKET OR FPM 7.1X1.35 RD 60	FPM	RED
5	1	INSERT M12 FE 4P AC TPU BK UNSH	TPU	BLACK
6	4	MMC-FE.CONTACT(TURNED) PCB	BRASS	Au
7	-	POTTING MATERIAL	-	-

TABLE 2 - 5P A-CODE

ITEM	QTY	DESCRIPTION	MATERIAL	FINISH/COLOR
1	1	SHELL M16 FE BRASS FM L20 NI REC U12	BRASS	Ni
2	1	M16 X 1.5 LOCKNUT NICKEL PLATED		
3	1	GASKET OR NBR 11X2 BK	NBR	BLACK
4	1	GASKET OR FPM 7.1X1.35 RD 60	FPM	RED
5	1	INSERT M12 FE 5P AC TPU BK UNSH	TPU	BLACK
6	5	MMC-FE.CONTACT(TURNED) PCB	BRASS	Au
7	-	POTTING MATERIAL	-	-

TABLE 3 - 8P A-CODE

ITEM	QTY	DESCRIPTION	MATERIAL	FINISH/COLOR
1	1	SHELL M16 FE BRASS FM L20 NI REC U12	BRASS	Ni
2	1	M16 X 1.5 LOCKNUT NICKEL PLATED		
3	1	GASKET OR NBR 11X2 BK	NBR	BLACK
4	1	GASKET OR FPM 7.1X1.35 RD 60	FPM	RED
5	1	INSERT M12 FE 8P AC REC PUR BK UNSH	PUR	BLACK
6	8	M12-Fem-Contact	BRASS	Au
7	-	POTTING MATERIAL	-	-

PART LIST 4P AC

MOLEX P/N	ENGINEERING NUMBER	DESCRIPTION
1204040026	YR4U20000	REC U12 4P AC FE M16 FM SOL BRASS NI

PART LIST 5P AC

MOLEX P/N	ENGINEERING NUMBER	DESCRIPTION
1204040027	YR5U20000	REC U12 5P AC FE M16 FM SOL BRASS NI

PART LIST 8P AC

MOLEX P/N	ENGINEERING NUMBER	DESCRIPTION
1204040028	YR8U20000	REC U12 8P AC FE M16 FM SOL BRASS NI

TABLE 4 - 12P A-CODE

ITEM	QTY	DESCRIPTION	MATERIAL	FINISH/COLOR
1	1	SHELL M16 FE BRASS FM L20 NI REC U12	BRASS	Ni
2	1	M16 X 1.5 LOCKNUT NICKEL PLATED		
3	1	GASKET OR NBR 11X2 BK	NBR	BLACK
4	1	GASKET OR FPM 7.1X1.35 RD 60	FPM	RED
5	1	INSERT M12 FE 12P AC PUR BK SHD	PUR	BLACK
6	1	M12S-FRONT SHELL-FEMALE SHIELD	BRASS	Ni
7	12	CONTACT 6 FE TUR AU SO		Au
8	-	POTTING MATERIAL	-	-

TABLE 5 - 4P D-CODE


ITEM	QTY	DESCRIPTION	MATERIAL	FINISH/COLOR
1	1	SHELL M16 FE BRASS FM L20 NI REC U12	BRASS	Ni
2	1	M16 X 1.5 LOCKNUT NICKEL PLATED		
3	1	GASKET OR NBR 11X2 BK	NBR	BLACK
4	1	GASKET OR FPM 7.1X1.35 RD 60	FPM	RED
5	1	INSERT M12 FE 4P DC CSE PUR BK UNSH	PUR	BLACK
6	4	MMC-FE.CONTACT(TURNED) PCB	BRASS	Au
7	-	POTTING MATERIAL	-	-

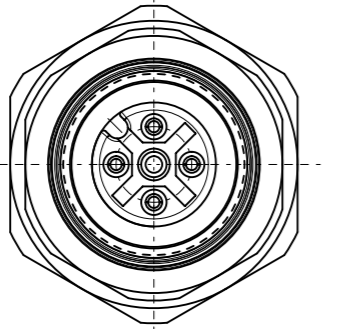
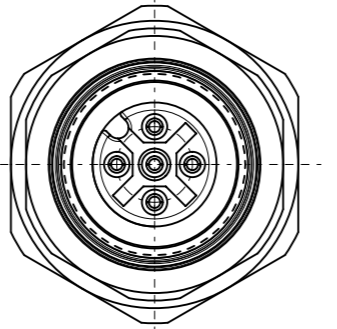
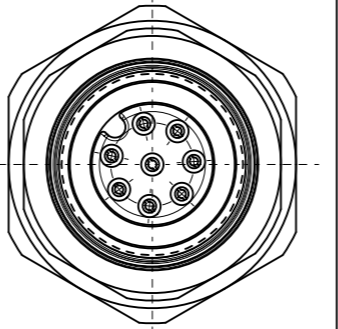
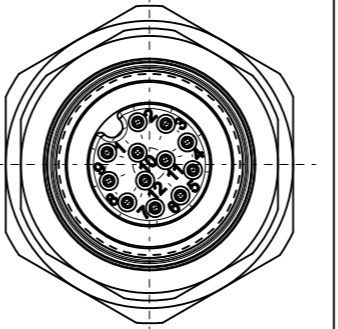
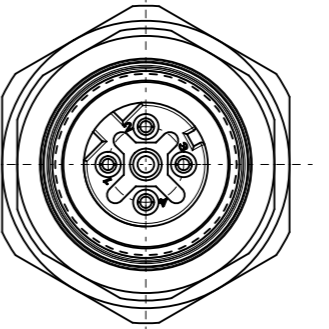
PART LIST 12P AC

MOLEX P/N	ENGINEERING NUMBER	DESCRIPTION
1204040029	YRCU20000	REC U12 12P AC FE M16 FM SOL BRASS NI

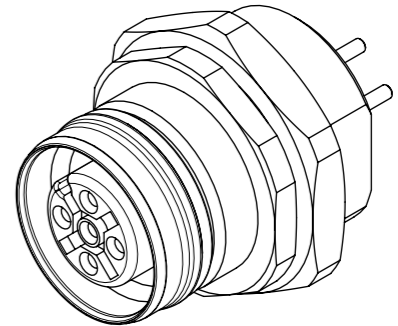
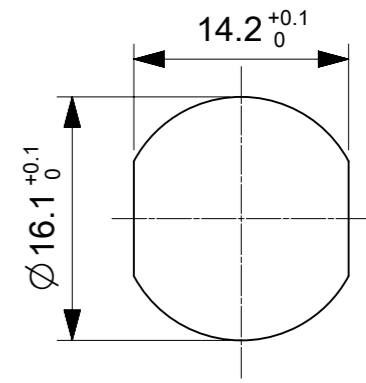
PART LIST 4P DC

MOLEX P/N	ENGINEERING NUMBER	DESCRIPTION
1204062003	ERYD2U20000	REC U12 4P DC FE M16 FM SOL BRASS NI


FUNCTIONAL SYMBOLS $\nabla_A = 0$ $\nabla_E = 0$ $\nabla_V = 0$	THIS DRAWING CONTAINS INFORMATION THAT IS PROPRIETARY TO MOLEX ELECTRONIC TECHNOLOGIES, LLC AND SHOULD NOT BE USED WITHOUT WRITTEN PERMISSION	SCALE 2:1	 REC U12 XP XC FE M16 FM SOL BRASS NI PRODUCT CUSTOMER DRAWING
	DIMENSION UNITS mm	CURRENT REV DESC: DIMENSIONS OF THE CONTACT POSITION OF THE 12P RECEPTACLE UPDATED	
	GENERAL TOLERANCES (UNLESS SPECIFIED)	EC NO: 746703	
	ANGULAR TOL ± 1.0°	DRWN: FDAFERNER 2023/04/18	
DIVISIONAL SYMBOLS	4 PLACES ±	CHK'D: RSILLER 2023/04/19	DOCUMENT NUMBER 1204040026
	3 PLACES ±	APPR: RSILLER 2023/04/19	
	2 PLACES ± 0.05	INITIAL REVISION:	DOC PART 000
	1 PLACE ± 0.3	DRWN: FDAFERNER 2021/02/15	REVISION B
	0 PLACES ± 0.5	APPR: RSILLER 2022/07/12	
DRAFT WHERE APPLICABLE MUST REMAIN WITHIN DIMENSIONS	THIRD ANGLE PROJECTION	DRAWING A3-SIZE	SHEET NUMBER 2 OF 3
		SERIES 120404	CUSTOMER GENERAL MARKET
		MATERIAL NUMBER SEE PART LIST	

POLES	4 POLE	5 POLE	8 POLE	12 POLE	4 POLE
LAYOUT					
VOLTAGE RATING	250V	60V	30V	30V	250V
CODING	A - Code	A - Code	A - Code	A - Code	D - Code
AMPERE RATING	4A	4A	2A	1.5A	4A
PROTECTION CLASS CONNECTOR INTERFACE SHELL TO ENCLOSURE	IP 67/69K (in mated condition / when properly installed)				
OPERATING TEMP.	-40°C / 85°C				
UL CERTIFICATION	FILE NO. E152210				
CSA CERTIFICATION	FILE NO. LR6837				
WIRE LEAD	0.34 mm ² PVC	0.34 mm ² PVC	0.25 mm ² PVC	0.14 mm ² PVC	0.34 mm ² PVC
PIN DIAMETER	1.0 mm	1.0 mm	0.8 mm	0.6 mm	1.0 mm
WIRE COLOR	ACCORDING TO IEC 60947-5-2		ACCORDING TO DIN 47100		ACC. TO IEC 60947-5-2

RECOMMENDED PANEL CUTOUT



NOTE:
 1. PANEL THICKNESS MAX. 5.3mm
 2. PACKAGING: 40 PC RECEPTACLES ARE PACKED IN ONE TRAY
 AND 6 TRAYS ARE PACKED IN ONE CARDBOARD BOX

FUNCTIONAL SYMBOLS	THIS DRAWING CONTAINS INFORMATION THAT IS PROPRIETARY TO MOLEX ELECTRONIC TECHNOLOGIES, LLC AND SHOULD NOT BE USED WITHOUT WRITTEN PERMISSION		 REC U12 XP XC FE M16 FM SOL BRASS NI
	DIMENSION UNITS: mm SCALE: 1:1	CURRENT REV DESC: DIMENSIONS OF THE CONTACT POSITION OF THE 12P RECEPTACLE UPDATED EC NO: 746703 DRWN: FDAFERNER 2023/04/18 CHK'D: RSILLER 2023/04/19 APPR: RSILLER 2023/04/19	
DIVISIONAL SYMBOLS	GENERAL TOLERANCES (UNLESS SPECIFIED) ANGULAR TOL $\pm 1.0^\circ$		DOCUMENT NUMBER: 1204040026 DOC TYPE: PSD DOC PART: 000 REVISION: B
	4 PLACES \pm 3 PLACES \pm 2 PLACES ± 0.05 1 PLACE ± 0.3 0 PLACES ± 0.5	INITIAL REVISION: DRWN: FDAFERNER 2021/02/15 APPR: RSILLER 2022/07/12	MATERIAL NUMBER: SEE PART LIST CUSTOMER: GENERAL MARKET SHEET NUMBER: 3 OF 3
DRAFT WHERE APPLICABLE MUST REMAIN WITHIN DIMENSIONS		THIRD ANGLE PROJECTION	DRAWING: A3-SIZE SERIES: 120404