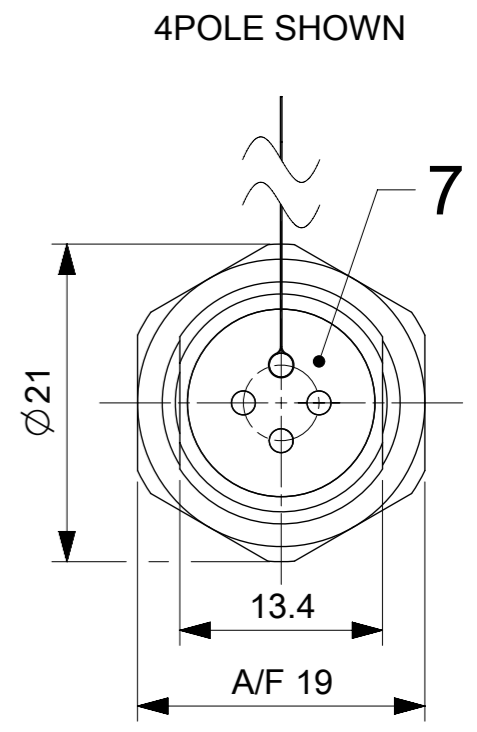
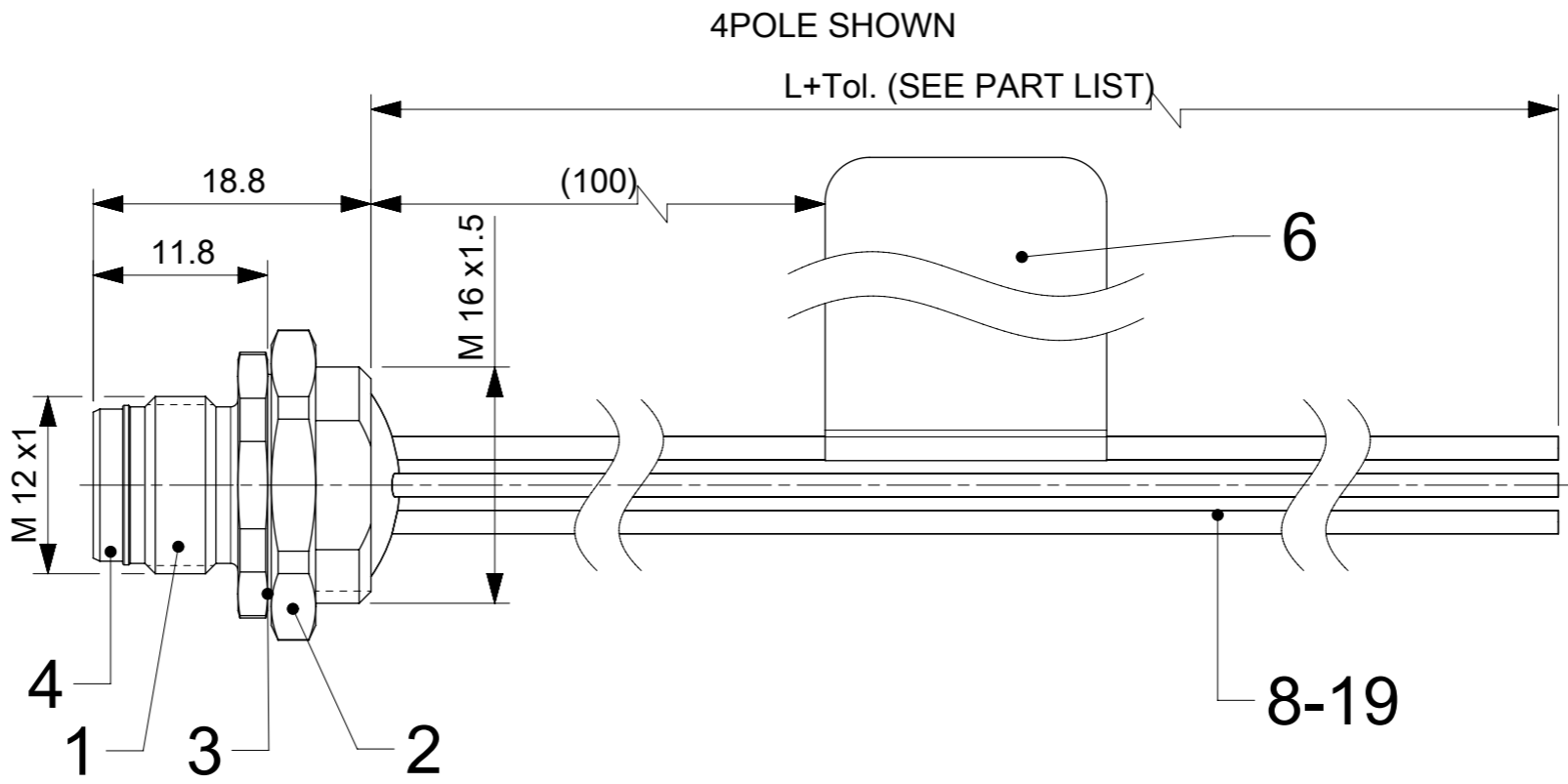
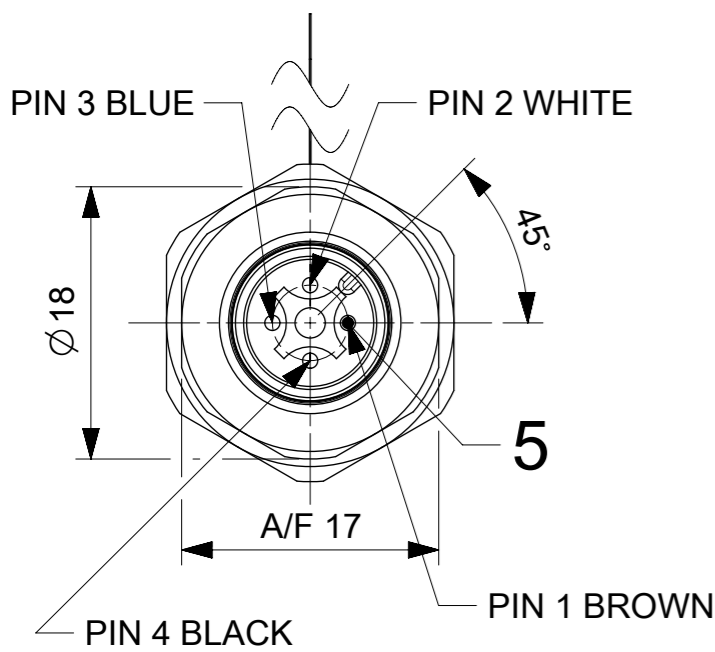
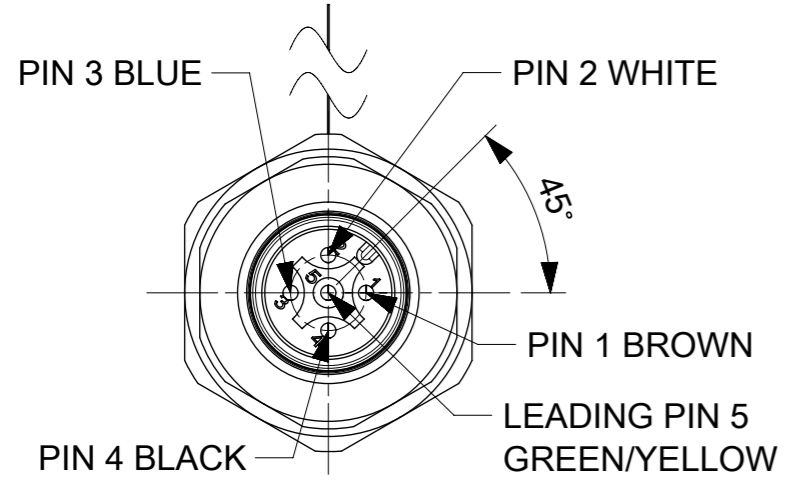


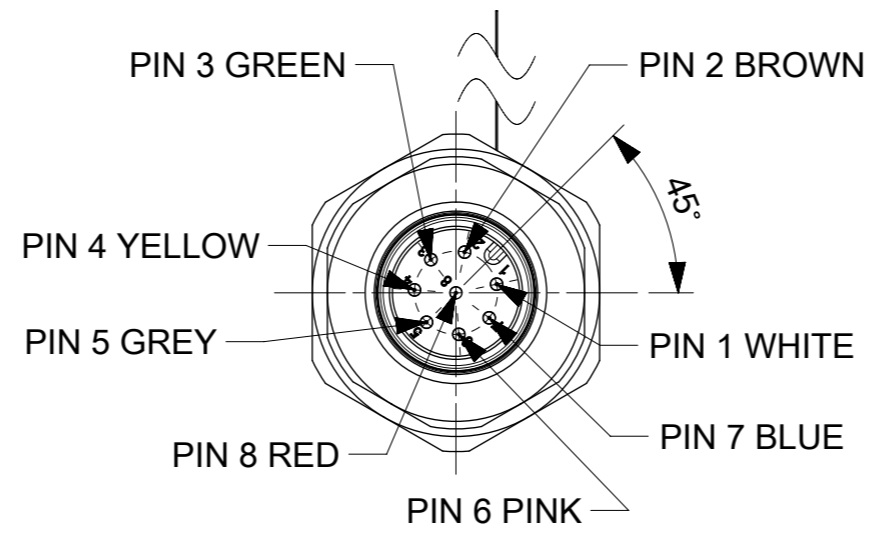
# M12 4 POLE AC MALE



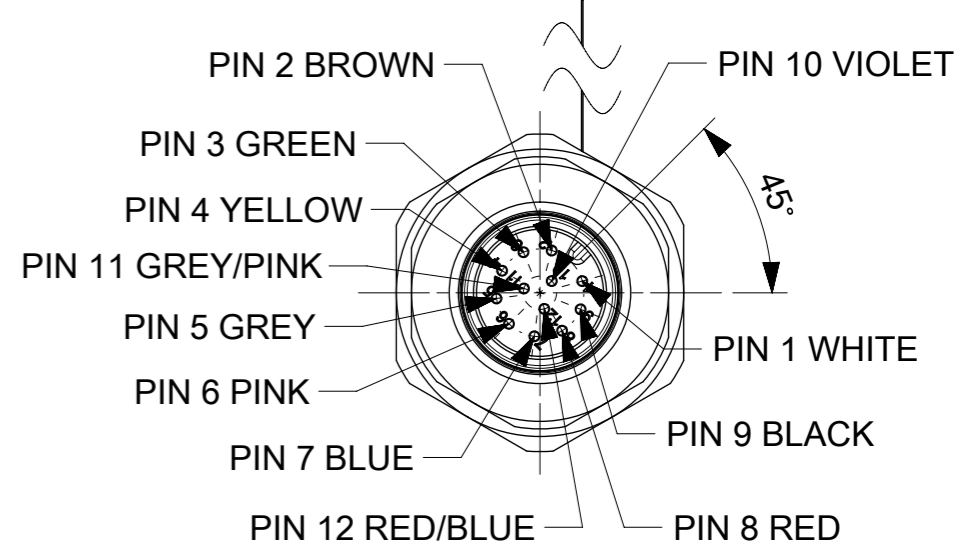
# M12 5 POLE AC MALE



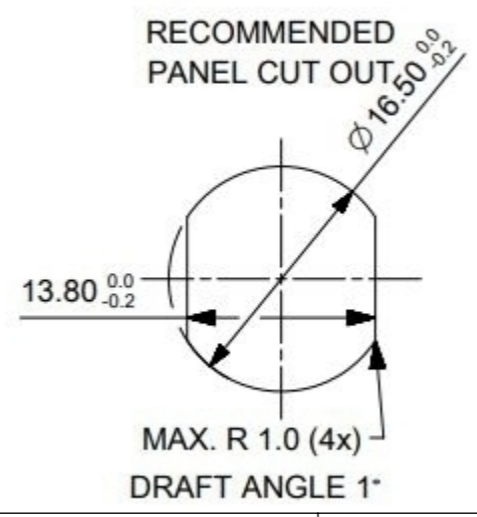
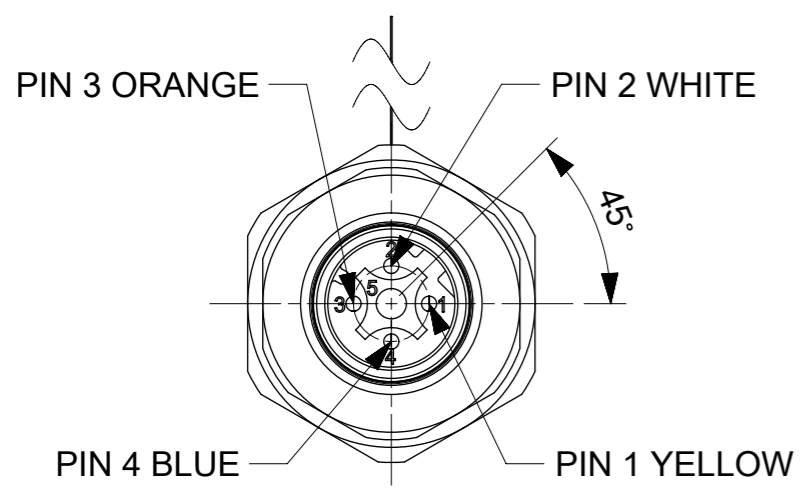
# M12 8 POLE AC MALE



# M12 12 POLE AC MALE

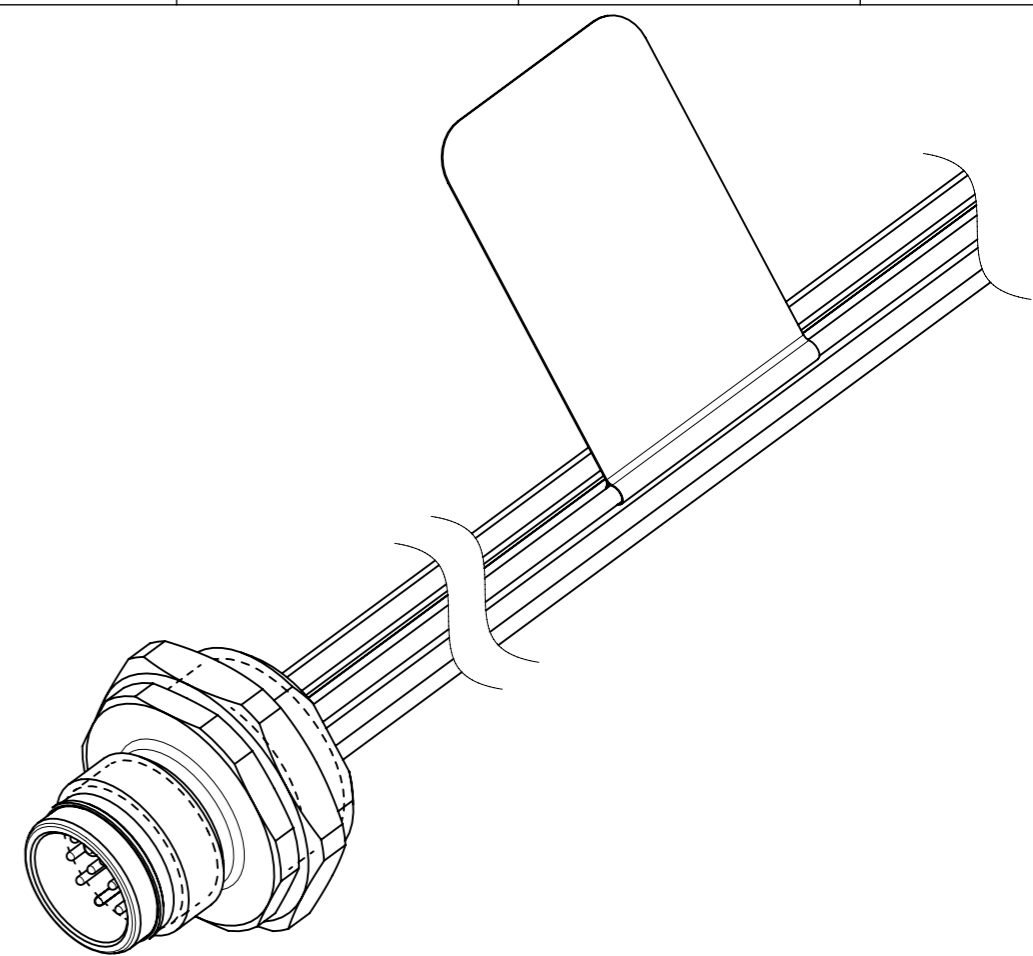


# M12 4 POLE DC MALE



FUNCTIONAL SYMBOLS	THIS DRAWING CONTAINS INFORMATION THAT IS PROPRIETARY TO MOLEX ELECTRONIC TECHNOLOGIES, LLC AND SHOULD NOT BE USED WITHOUT WRITTEN PERMISSION		
	DIMENSION UNITS	SCALE	CURRENT REV DESC: NOTES AND CABLE LIST UPDATED
$\nabla_A = 0$	mm	2:1	<b>molex</b> REC U12 XP XC MA PVC XM M16 FM WIR SE BRA AU PRODUCT CUSTOMER DRAWING DOCUMENT NUMBER: 1204040066 DOC TYPE: PSD DOC PART: 000 REVISION: A2 SHEET NUMBER: 1 OF 3
$\nabla_E = 0$	GENERAL TOLERANCES (UNLESS SPECIFIED)		
$\nabla_F = 0$	ANGULAR TOL ± 1.0°		
DIVISIONAL SYMBOLS	4 PLACES	± 0.0	
	3 PLACES	± 0.0	
	2 PLACES	± 0.05	
	1 PLACE	± 0.3	
	0 PLACES	± 0.5	
DRAFT WHERE APPLICABLE MUST REMAIN WITHIN DIMENSIONS		THIRD ANGLE PROJECTION	DRAWING: A3-SIZE
		SERIES: 120404	MATERIAL NUMBER: SEE PART LIST
		CUSTOMER: GENERAL MARKET	

10	9	8	7	6	5
POLES	4 POLE	5 POLE	8 POLE	12 POLE	4 POLE
VOLTAGE RATING	250V	60V	30V	30V	250V
CODING	A - Code	A - Code	A - Code	A - Code	D - Code
AMPERE RATING	4A	4A	2A	1.5A	4A
PROTECTION CLASS CONNECTOR INTERFACE AND SHELL TO ENCLOSURE	IP 67/69K (in mated condition / when properly installed)				
OPERATING TEMP.	-40°C / +90°C				
UL/CSA CERTIFICATION	CSA FILE NO. LR6837, C'CSA'US MARK				Pending
WIRE LEAD	0.34 mm <sup>2</sup> PVC	0.34/0.5 mm <sup>2</sup> PVC	0.25 mm <sup>2</sup> PVC	0.14 mm <sup>2</sup> PVC	0.34 mm <sup>2</sup> PVC
PIN DIAMETER	1.0 mm	1.0 mm	0.8 mm	0.6 mm	1.0 mm



NOTES:

- PARTS ACC. TO PRODUCT SPECIFICATION 1204000001 PS P10 AND IN STYLE OF IEC-61076-2-010
- BOM: SEE SHEET 3
- FOR THE ELECTRICAL RATINGS:  
DERATING HAS TO BE CONSIDERED  
OVERVOLTAGE CATEGORY: 3  
POLLUTION DEGREE: 3, ONLY IN MATED AND LOCKED CONDITION
- MECHANICAL OPERATIONS: 100 CYCLES
- MATES WITH M12 FEMALE CORDSETS
- LABEL PRINTED WITH THE MOLEX AND ENGINEERING NUMBERS, VOLTS AND AMPERES, PRODUCTION DATE AND PRODUCTION ORDER NUMBER, UL/CSA MARKINGS AND COUNTRY OF ORIGIN LABEL APPLIED ON WHITE WIRE
- PACKAGING: SINGLE PACKED IN BAG AND THE BAGS IN MOLEX STANDARD CARTONS
- PANEL THICKNESS MAX. 4.0 mm.
- RECOMMENDED PANEL CUTOUT: SEE PICTURE IN SHEET 1

PART LIST 4P AC

MOLEX P/N	ENGINEERING NUMBER	DESCRIPTION	L [mm]	TOL. [mm]
1204040066	YR4U26E03C300	REC U12 4P AC MA PVC 0.3M M16 FM WIR BRA	300	+40
1204040070	YR4U26E03C500	REC U12 4P AC MA PVC 0.5M M16 FM WIR BRA	500	+40

PART LIST 5P AC

MOLEX P/N	ENGINEERING NUMBER	DESCRIPTION	L [mm]	TOL. [mm]
1204040067	YR5U26E03C300	REC U12 5P AC MA PVC 0.3M M16 FM WIR BRA	300	+40
1204040071	YR5U26E03C500	REC U12 5P AC MA PVC 0.5M M16 FM WIR BRA	500	+40

PART LIST 8P AC

MOLEX P/N	ENGINEERING NUMBER	DESCRIPTION	L [mm]	TOL. [mm]
1204040068	YR8U26E02C300	REC U12 8P AC MA PVC 0.3M M16 FM WIR BRA	300	+40
1204040072	YR8U26E02C500	REC U12 8P AC MA PVC 0.5M M16 FM WIR BRA	500	+40

PART LIST 12P AC

MOLEX P/N	ENGINEERING NUMBER	DESCRIPTION	L [mm]	TOL. [mm]
1204040069	YRCU26E01C300	REC U12 12P AC MA PVC 0.3M M16FM WIR BRA	300	+40
1204040073	YRCU26E01C500	REC U12 12P AC MA PVC 0.5M M16FM WIR BRA	500	+40

PART LIST 4P DC

MOLEX P/N	ENGINEERING NUMBER	DESCRIPTION	L [mm]	TOL. [mm]
1204063011	ERYA2U26E03C300	REC U12 4P DC MA PVC 0.3M M16 FM WIR BRA	300	+40
1204063012	ERYA2U26E03C500	REC U12 4P DC MA PVC 0.5M M16 FM WIR BRA	500	+40

FUNCTIONAL SYMBOLS ▽/A = 0 ▽/E = 0 ▽/P = 0	THIS DRAWING CONTAINS INFORMATION THAT IS PROPRIETARY TO MOLEX ELECTRONIC TECHNOLOGIES, LLC AND SHOULD NOT BE USED WITHOUT WRITTEN PERMISSION	CURRENT REV DESC: NOTES AND CABLE LIST UPDATED		<b>molex</b>		
	DIMENSION UNITS: mm	SCALE: 2:1	REC U12 XP XC MA PVC XM M16 FM WIR SE BRA AU			
	GENERAL TOLERANCES (UNLESS SPECIFIED)		EC NO: 736602		2023/01/30	
	ANGULAR TOL ± 1.0°		DRWN: RSCHIEBER		2023/01/31	
4 PLACES ± 0.0		CHK'D: RSILLER		2023/01/31		
3 PLACES ± 0.0		APPR: RSILLER		2023/01/31		
2 PLACES ± 0.05		INITIAL REVISION:		DOCUMENT NUMBER		
1 PLACE ± 0.3		DRWN: JELIZAINCIN		1204040066		
0 PLACES ± 0.5		APPR: RSILLER		PSD 000 A2		
DRAFT WHERE APPLICABLE MUST REMAIN WITHIN DIMENSIONS		THIRD ANGLE PROJECTION	DRAWING: A3-SIZE	SERIES: 120404	MATERIAL NUMBER: SEE PART LIST	
				CUSTOMER: GENERAL MARKET	SHEET NUMBER: 2 OF 3	

TABLE 1 - 4P A-CODE

ITEM	QTY	DESCRIPTION	MATERIAL	FINISH/COLOR
1	1	SHELL M16/M12MA BRASS FM L17/W17 REC U12	BRASS	Ni
2	1	NUT M16X1.5 BRASS NI HEX		
3	1	GASKET OR NBR BK	NBR	BLACK
4	1	MIC 4P REC INSERT A-CODE PA SHORT	PA	BLACK
5	4	CONTACT 10 MA	Cu ALLOY	Au
6	1	LABEL;SELF L.YELLOW(2.25X.75IN)	VINYL	YELLOW
7	-	POTTING MATERIAL	PUR	BEIGE
8	1	WIRE;22AWG;BU;1.58;PVC;17x0.16;UL1569	PVC	BLUE
9	1	WIRE;22AWG;BN;1.58;PVC;17x0.16;UL1569		BROWN
10	1	WIRE;22AWG;BK;1.58;PVC;17x0.16;UL1569		BLACK
11	1	WIRE;22AWG;WH;1.58;PVC;17x0.16;UL1569		WHITE

TABLE 2 - 5P A-CODE

ITEM	QTY	DESCRIPTION	MATERIAL	FINISH/COLOR
1	1	SHELL M16/M12MA BRASS FM L17/W17 REC U12	BRASS	Ni
2	1	NUT M16X1.5 BRASS NI HEX		
3	1	GASKET OR NBR BK	NBR	BLACK
4	1	MIC 5P REC INSERT A-CODE PA SHORT	PA	BLACK
5	5	CONTACT 10 MA	Cu ALLOY	Au
6	1	LABEL;SELF L.YELLOW(2.25X.75IN)	VINYL	YELLOW
7	-	POTTING MATERIAL	PUR	BEIGE
8	1	WIRE;22AWG;BU;1.58;PVC;17x0.16;UL1569	PVC	BLUE
9	1	WIRE;22AWG;BN;1.58;PVC;17x0.16;UL1569		BROWN
10	1	WIRE;22AWG;BK;1.58;PVC;17x0.16;UL1569		BLACK
11	1	WIRE;22AWG;WH;1.58;PVC;17x0.16;UL1569		WHITE
12	1	WIRE;20AWG;GN/YE;1.76;PVC;26x0.16;UL1569		GREEN/YELLOW

TABLE 3 - 8P A-CODE

ITEM	QTY	DESCRIPTION	MATERIAL	FINISH/COLOR
1	1	SHELL M16/M12MA BRASS FM L17/W17 REC U12	BRASS	Ni
2	1	NUT M16X1.5 BRASS NI HEX		
3	1	GASKET OR NBR BK	NBR	BLACK
4	1	MIC 8P REC INSERT MALE PA SHORT	PA	BLACK
5	8	CONTACT 8 MA	BRASS	Au
6	1	LABEL;SELF L.YELLOW(2.25X.75IN)	VINYL	YELLOW
7	-	POTTING MATERIAL	PUR	BEIGE
8	1	WIRE;24AWG;BU;1.43;PVC;11x0.16;UL1569	PVC	BLUE
9	1	WIRE;24AWG;BN;1.43;PVC;11x0.16;UL1569		BROWN
10	1	WIRE;24AWG;YE;1.43;PVC;11x0.16;UL1569		YELLOW
11	1	WIRE;24AWG;GN;1.43;PVC;11x0.16;UL1569		GREEN
12	1	WIRE;24AWG;GY;1.43;PVC;11x0.16;UL1569		GREY
13	1	WIRE;24AWG;PK;1.43;PVC;11x0.16;UL1569		PINK
14	1	WIRE;24AWG;RD;1.43;PVC;11x0.16;UL1569		RED
15	1	WIRE;24AWG;WH;1.43;PVC;11x0.16;UL1569		WHITE

TABLE 4 - 12P A-CODE

ITEM	QTY	DESCRIPTION	MATERIAL	FINISH/COLOR
1	1	SHELL M16/M12MA BRASS FM L17/W17 REC U12	BRASS	Ni
2	1	NUT M16X1.5 BRASS NI HEX		
3	1	GASKET OR NBR BK	NBR	BLACK
4	1	MIC 12P REC INSERT MALE PA SHORT	PA	BLACK
5	12	CONTACT 06 MA	BRASS	Au
6	1	LABEL;SELF L.YELLOW(2.25X.75IN)	VINYL	YELLOW
7	-	POTTING MATERIAL	PUR	BEIGE
8	1	WIRE;26AWG;BU;1.30;PVC;7x0.16;UL1569	PVC	BLUE
9	1	WIRE;26AWG;BN;1.30;PVC;7x0.16;UL1569		BROWN
10	1	WIRE;26AWG;YE;1.30;PVC;7x0.16;UL1569		YELLOW
11	1	WIRE;26AWG;GN;1.30;PVC;7x0.16;UL1569		GREEN
12	1	WIRE;26AWG;GY;1.30;PVC;7x0.16;UL1569		GREY
13	1	WIRE;26AWG;PK;1.30;PVC;7x0.16;UL1569		PINK
14	1	WIRE;26AWG;RD;1.30;PVC;7x0.16;UL1569		RED
15	1	WIRE;26AWG;BK;1.30;PVC;7x0.16;UL1569		BLACK
16	1	WIRE;26AWG;VT;1.30;PVC;7x0.16;UL1569		VIOLET
17	1	WIRE;26AWG;WH;1.30;PVC;7x0.16;UL1569		WHITE
18	1	WIRE;26AWG;GY/PK;1.30;PVC;7x0.16;UL1569		GREY/PINK
19	1	WIRE;26AWG;RD/BU;1.30;PVC;7x0.16;UL1569	RED/BLUE	

TABLE 5 - 4P D-CODE

ITEM	QTY	DESCRIPTION	MATERIAL	FINISH/COLOR
1	1	SHELL M16/M12MA BRASS FM L17/W17 REC U12	BRASS	Ni
2	1	NUT M16X1.5 BRASS NI HEX		
3	1	GASKET OR NBR BK	NBR	BLACK
4	1	MIC 4P REC INSERT D-CODE PA SHORT	PA	BLACK
5	4	CONTACT 10 MA	Cu ALLOY	Au
6	1	LABEL;SELF L.YELLOW(2.25X.75IN)	VINYL	YELLOW
7	-	POTTING MATERIAL	PUR	BEIGE
8	1	WIRE;22AWG;BU;1.58;PVC;17x0.16;UL1569	PVC	BLUE
9	1	WIRE;22AWG;OG;1.58;PVC;17x0.16;UL1569		ORANGE
10	1	WIRE;22AWG;YE;1.58;PVC;17x0.16;UL1569		YELLOW
11	1	WIRE;22AWG;WH;1.58;PVC;17x0.16;UL1569		WHITE

FUNCTIONAL SYMBOLS	THIS DRAWING CONTAINS INFORMATION THAT IS PROPRIETARY TO MOLEX ELECTRONIC TECHNOLOGIES, LLC AND SHOULD NOT BE USED WITHOUT WRITTEN PERMISSION		CURRENT REV DESC: NOTES AND CABLE LIST UPDATED	
	$\nabla_A = 0$ $\nabla_E = 0$ $\nabla_F = 0$	DIMENSION UNITS: <b>mm</b> SCALE: <b>1:1</b>	<b>molex</b> REC U12 XP XC MA PVC XM M16 FM WIR SE BRA AU	
DIVISIONAL SYMBOLS	GENERAL TOLERANCES (UNLESS SPECIFIED)		EC NO: 736602	
	ANGULAR TOL ± 1.0° 4 PLACES ± 0.0 3 PLACES ± 0.0 2 PLACES ± 0.05 1 PLACE ± 0.3 0 PLACES ± 0.5		DRWN: RSCHIEBER 2023/01/30 CHK'D: RSILLER 2023/01/31 APPR: RSILLER 2023/01/31	
DRAFT WHERE APPLICABLE MUST REMAIN WITHIN DIMENSIONS		THIRD ANGLE PROJECTION	DRAWING	SERIES
			A3-SIZE	120404
		MATERIAL NUMBER	CUSTOMER	SHEET NUMBER
		SEE PART LIST	GENERAL MARKET	3 OF 3