

NOTES:

RATED VOLTAGE: MAX. 63V AC/DC
 RATED CURRENT: MAX. 12A at 40°C (derating has to be considered)
 IP RATING: IP67 (mated and locked condition)
 TEMPERATURE RANGE: -25°C TO +85°C

CABLE PRINTING (sequence as shown below):
 - MOLEX part number
 - "Made in " COUNTRY OF ORIGIN
 - MOLEX AND DATE OF MANUFACTURING (YY=YEAR; WW=WEEK): MXYWW
 - Not for current interrupting

PART ACCORDING PRODUCT SPEC: 1205010169
 PACKAGING ACCORDING PACKAGING SPEC: 1201202000

TABLE 1

POS	DESCRIPTION	MATERIAL	FINISH
1	NUT M12 FE	BRASS	Ni
2	CONTACT 15 FE	BRASS	Au
3	INSERT	PA	BLACK
4	OVERMOLD	TPE	BLACK
5	CABLE 4x1.5 D7.9 WSOR	PUR	BLACK
6	GASKET OR 8.2X1.25	FKM	BLACK
OPTIONAL 7	ID CARRIER	-	-

FUNCTIONAL SYMBOLS ▽A = 0 ▽E = 0 ▽F = 0	THIS DRAWING CONTAINS INFORMATION THAT IS PROPRIETARY TO MOLEX ELECTRONIC TECHNOLOGIES, LLC AND SHOULD NOT BE USED WITHOUT WRITTEN PERMISSION	CURRENT REV DESC: UPDATED ATTRIBUTE TO GENERAL MARKET IN ECTR		molex		
	mm	SCALE 2:1	CSE M12 4P LC FE STR WSOR BK XM UNSH 1.5			
	GENERAL TOLERANCES (UNLESS SPECIFIED)		EC NO: 735577		PRODUCT CUSTOMER DRAWING	
	ANGULAR TOL ± 1.0°		DRWN: NIKHIS3 2023/01/12		DOCUMENT NUMBER 1205000328	
4 PLACES ±		CHK'D: RSILLER 2023/01/19		DOC TYPE PSD		
3 PLACES ±		APPR: RSILLER 2023/01/19		DOC PART 000		
2 PLACES ± 0.05		INITIAL REVISION:		REVISION A1		
1 PLACE ± 0.3		DRWN: FDAFERNER 2020/08/19		SHEET NUMBER 1 OF 2		
0 PLACES ± 0.5		APPR: RSILLER 2022/12/05				
DRAFT WHERE APPLICABLE MUST REMAIN WITHIN DIMENSIONS		THIRD ANGLE PROJECTION	DRAWING A3-SIZE	SERIES 120500	MATERIAL NUMBER SEE TABLE 2	
				CUSTOMER GENERAL MARKET		

ENGINEERING NO - NUMERICAL CODE (Available parts see PART LIST table. Other parts available upon request).

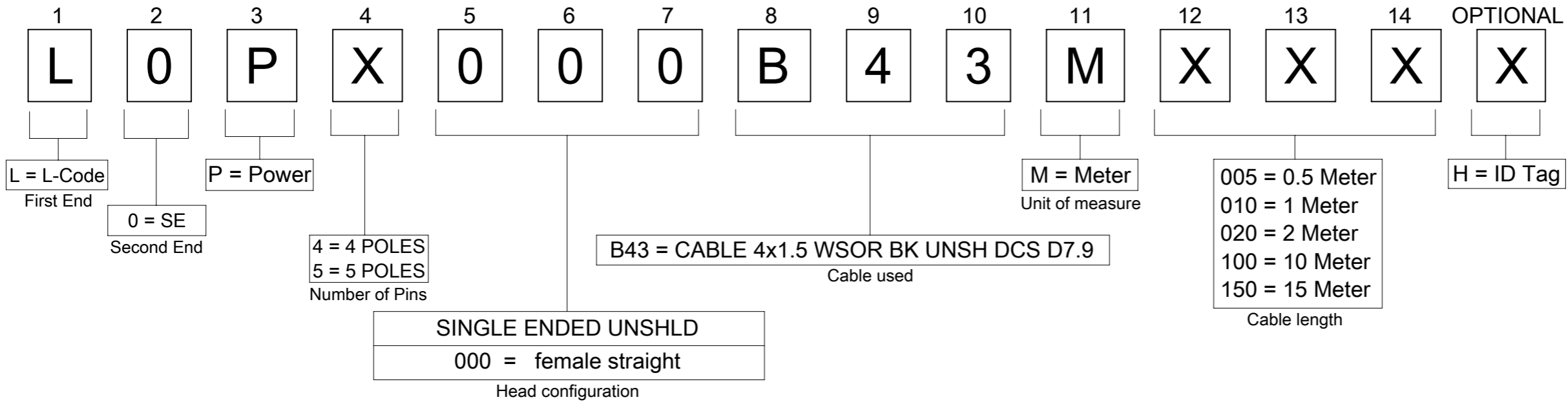


TABLE 2

NOMINAL SECTION 1,5mm ²			
MATERIAL NO.	ENGINEERING NO.	L [mm]	TOLERANCE [mm]
1205000328	L0P4000B43M010	1000	+40
1205000329	L0P4000B43M020	2000	+60
1205000330	L0P4000B43M030	3000	+60
1205000331	L0P4000B43M050	5000	+60
1205000332	L0P4000B43M100	10000	+80
1205000333	L0P4000B43M150	15000	+140
1205000334	L0P4000B43M200	20000	+140

FUNCTIONAL SYMBOLS	THIS DRAWING CONTAINS INFORMATION THAT IS PROPRIETARY TO MOLEX ELECTRONIC TECHNOLOGIES, LLC AND SHOULD NOT BE USED WITHOUT WRITTEN PERMISSION		
	$\nabla_A = 0$ $\nabla_B = 0$ $\nabla_C = 0$	DIMENSION UNITS mm	SCALE 1:1
DIVISIONAL SYMBOLS	GENERAL TOLERANCES (UNLESS SPECIFIED) ANGULAR TOL $\pm 1.0^\circ$		EC NO: 735577 DRWN: NIKHIS3 CHK'D: RSILLER APPR: RSILLER 2023/01/12 2023/01/19 2023/01/19
	4 PLACES \pm 3 PLACES \pm 2 PLACES ± 0.05 1 PLACE ± 0.3 0 PLACES ± 0.5	CURRENT REV DESC: UPDATED ATTRIBUTE TO GENERAL MARKET IN ECTR molex CSE M12 4P LC FE STR WSOR BK XM UNSH 1.5 PRODUCT CUSTOMER DRAWING	
DRAFT WHERE APPLICABLE MUST REMAIN WITHIN DIMENSIONS		THIRD ANGLE PROJECTION 	DRAWING A3-SIZE
SERIES 120500		MATERIAL NUMBER SEE TABLE 2	CUSTOMER GENERAL MARKET
DOCUMENT NUMBER 1205000328		DOC TYPE PSD	DOC PART 000
SHEET NUMBER 2 OF 2		REVISION A1	