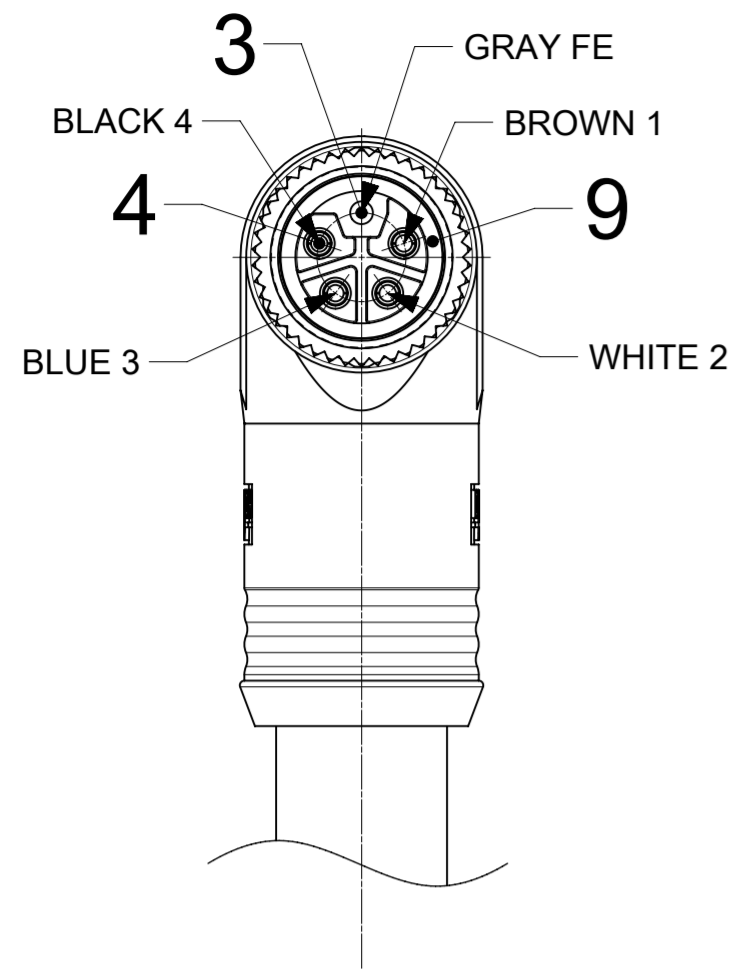
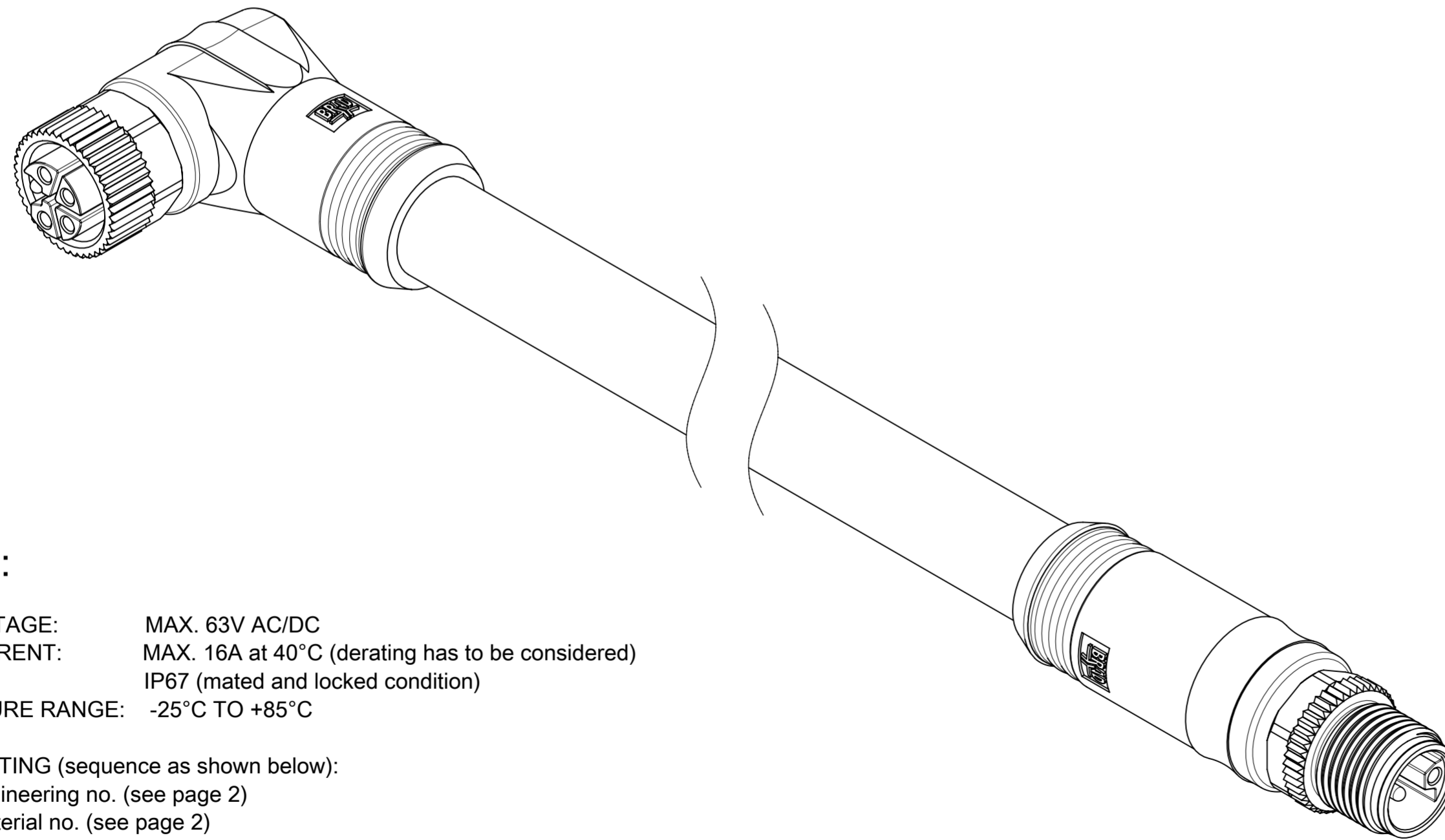
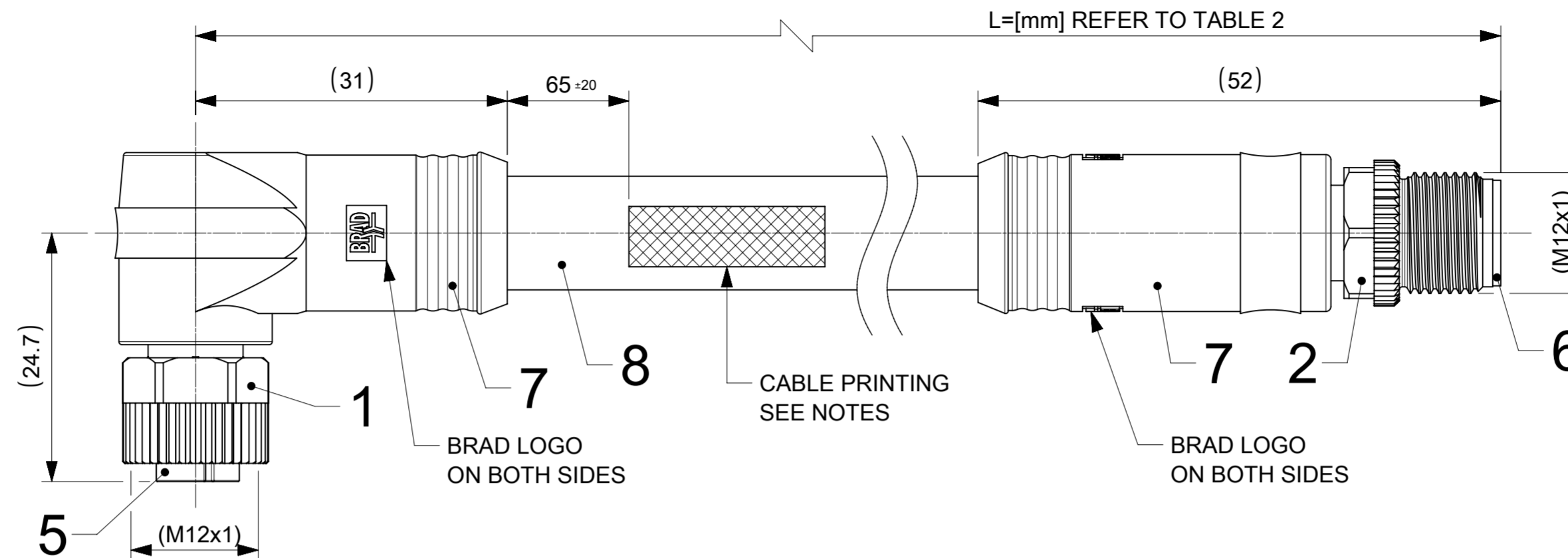
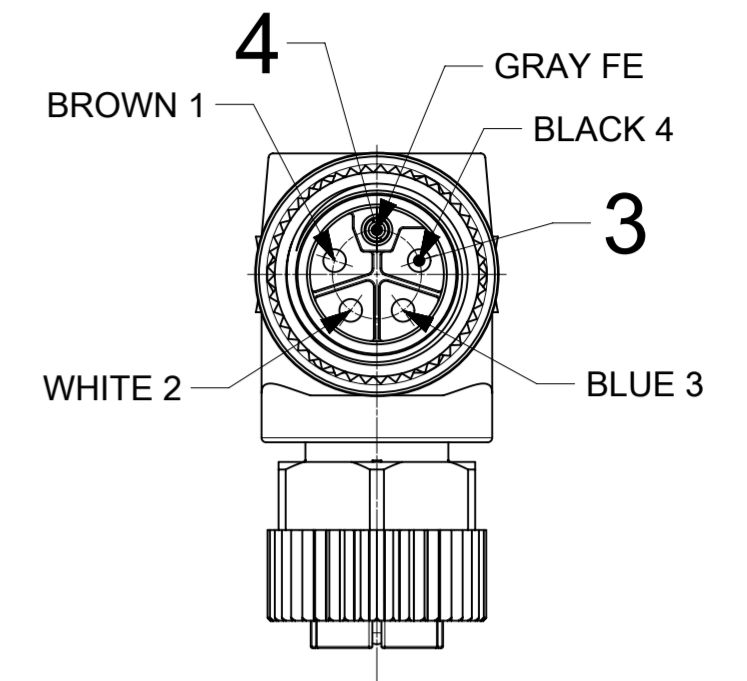


**MATING SIDE
FEMALE CONNECTOR**



**MATING SIDE
MALE CONNECTOR**



NOTES:

RATED VOLTAGE: MAX. 63V AC/DC
 RATED CURRENT: MAX. 16A at 40°C (derating has to be considered)
 IP RATING: IP67 (mated and locked condition)
 TEMPERATURE RANGE: -25°C TO +85°C

CABLE PRINTING (sequence as shown below):

- MOLEX engineering no. (see page 2)
- MOLEX material no. (see page 2)
- MOLEX MAX. 63V AC/DC MAX. 16 A USL
- MOLEX AND DATE OF MANUFACTURING (YY=YEAR; WW=WEEK): MXYWW
- Not for current interrupting
- PROFINET 24V Power 4x2,5 + FE

PART ACCORDING PRODUCT SPEC: 1205010169
 PACKAGING ACCORDING PACKAGING SPEC: 1201202000

TABLE 1

POS	DESCRIPTION	MATERIAL	FINISH
1	NUT M12 FE	BRASS	Ni
2	NUT M12 MA	BRASS	Ni
3	CONTACT 15 MA	BRASS	Au
4	CONTACT 15 FE	BRASS	Au
5	INSERT FEMALE	PA	GREY
6	INSERT MALE	PA	GREY
7	OVERMOLD	TPE	BLACK
8	CABLE 5x2.5 D11.3 WSOR	PUR	GREY
9	GASKET OR 8.2X1.25	FKM	BLACK
OPTIONAL 10	ID CARRIER	-	-

THIS DRAWING CONTAINS INFORMATION THAT IS PROPRIETARY TO MOLEX ELECTRONIC TECHNOLOGIES, LLC AND SHOULD NOT BE USED WITHOUT WRITTEN PERMISSION										
FUNCTIONAL SYMBOLS	DIMENSION UNITS	SCALE	CURRENT REV DESC: UPDATED ATTRIBUTE TO GENERAL MARKET IN ECTR							
$\nabla_A = 0$	mm	2:1	EC NO: 735577 DRWN: MARUTD 2023/01/12 CHK'D: RSILLER 2023/01/19 APPR: RSILLER 2023/01/19 INITIAL REVISION: DRWN: FDAFERNER 2020/01/30 APPR: RSILLER 2021/03/15							
$\nabla_C = 0$	GENERAL TOLERANCES (UNLESS SPECIFIED)									
$\nabla_P = 0$	ANGULAR TOL ± 1.0°									
DIVISIONAL SYMBOLS	4 PLACES ±	3 PLACES ±								
	2 PLACES ± 0.05	1 PLACE ± 0.3	PRODUCT CUSTOMER DRAWING DOCUMENT NUMBER: 1205010108 DOC TYPE: PSD DOC PART: 000 REVISION: A1							
	0 PLACES ± 0.5		DRAFT WHERE APPLICABLE MUST REMAIN WITHIN DIMENSIONS		THIRD ANGLE PROJECTION	DRAWING	SERIES	MATERIAL NUMBER	CUSTOMER	SHEET NUMBER
			A2-SIZE	120501	SEE TABLE 2	GENERAL MARKET				1 OF 2

ENGINEERING NO - NUMERICAL CODE (Available parts see PART LIST table. Other parts available upon request).

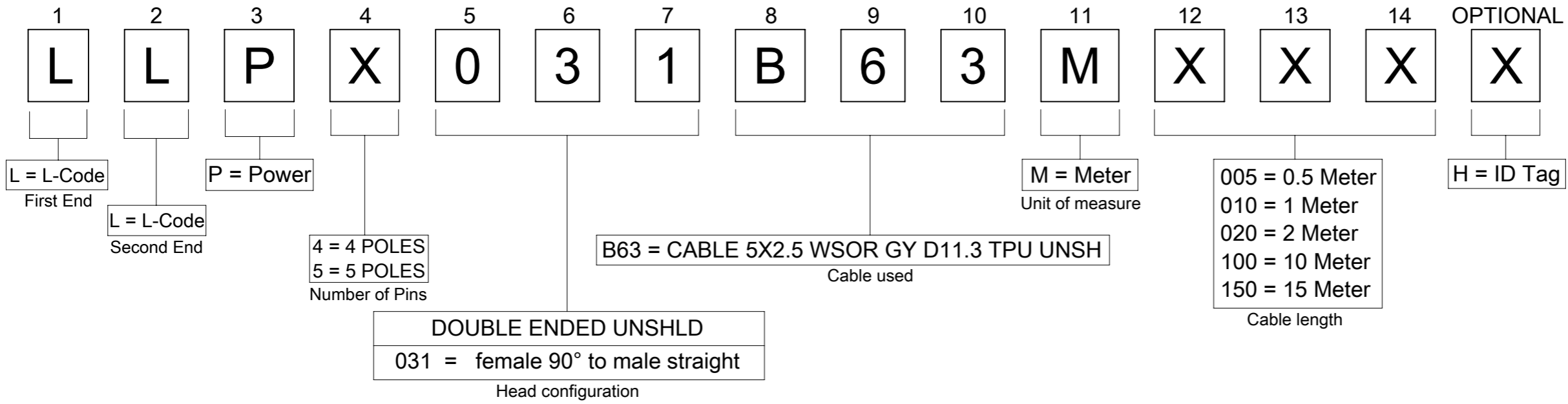


TABLE 2

NOMINAL SECTION 2,5mm ²			
MATERIAL NO.	ENGINEERING NO.	L [mm]	TOLERANCE [mm]
1205010108	LLP5031B63M005	500	+40
1205010109	LLP5031B63M010	1000	+40
1205010110	LLP5031B63M020	2000	+60
1205010111	LLP5031B63M030	3000	+60
1205010112	LLP5031B63M050	5000	+60
1205010113	LLP5031B63M100	10000	+80
1205010114	LLP5031B63M150	15000	+140
1205010115	LLP5031B63M200	20000	+140

DOCUMENT STATUS	P1	RELEASE DATE	2023/01/19	11:13:40
-----------------	----	--------------	------------	----------

FUNCTIONAL SYMBOLS	THIS DRAWING CONTAINS INFORMATION THAT IS PROPRIETARY TO MOLEX ELECTRONIC TECHNOLOGIES, LLC AND SHOULD NOT BE USED WITHOUT WRITTEN PERMISSION			
	$\nabla_A = 0$ $\nabla_B = 0$ $\nabla_C = 0$	DIMENSION UNITS: mm SCALE: 1:1		
DIVISIONAL SYMBOLS	GENERAL TOLERANCES (UNLESS SPECIFIED)		EC NO: 735577	
	ANGULAR TOL ± 1.0°		DRWN: MARUTD 2023/01/12	
	4 PLACES ±		CHK'D: RSILLER 2023/01/19	
	3 PLACES ±		APPR: RSILLER 2023/01/19	
2 PLACES ± 0.05		INITIAL REVISION:		
1 PLACE ± 0.3		DRWN: FDAFERNER 2020/01/30		
0 PLACES ± 0.5		APPR: RSILLER 2021/03/15		
DRAFT WHERE APPLICABLE MUST REMAIN WITHIN DIMENSIONS		THIRD ANGLE PROJECTION	DRAWING	SERIES
			A3-SIZE	120501
		MATERIAL NUMBER	CUSTOMER	SHEET NUMBER
		SEE TABLE 2	GENERAL MARKET	2 OF 2