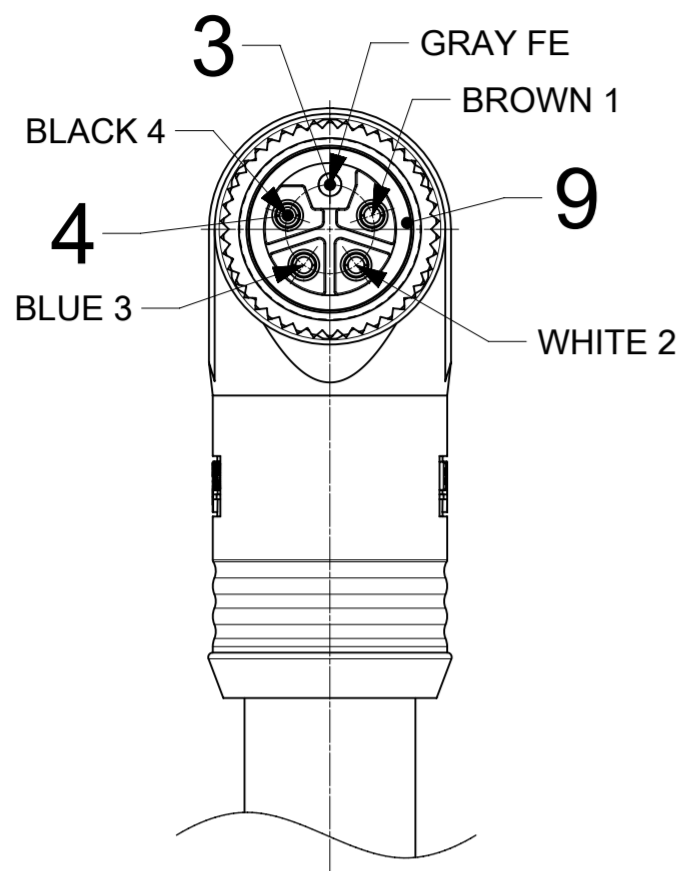
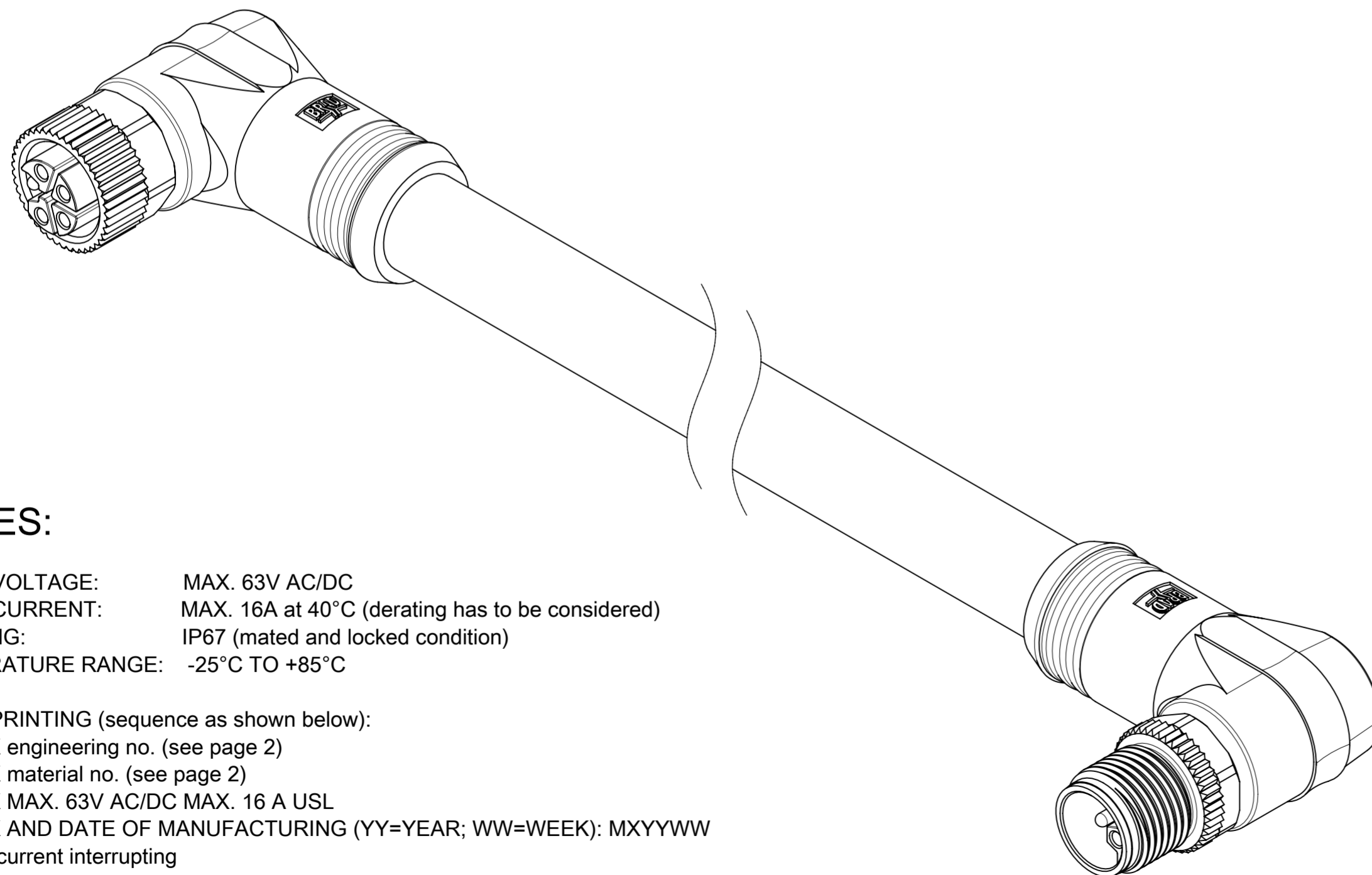
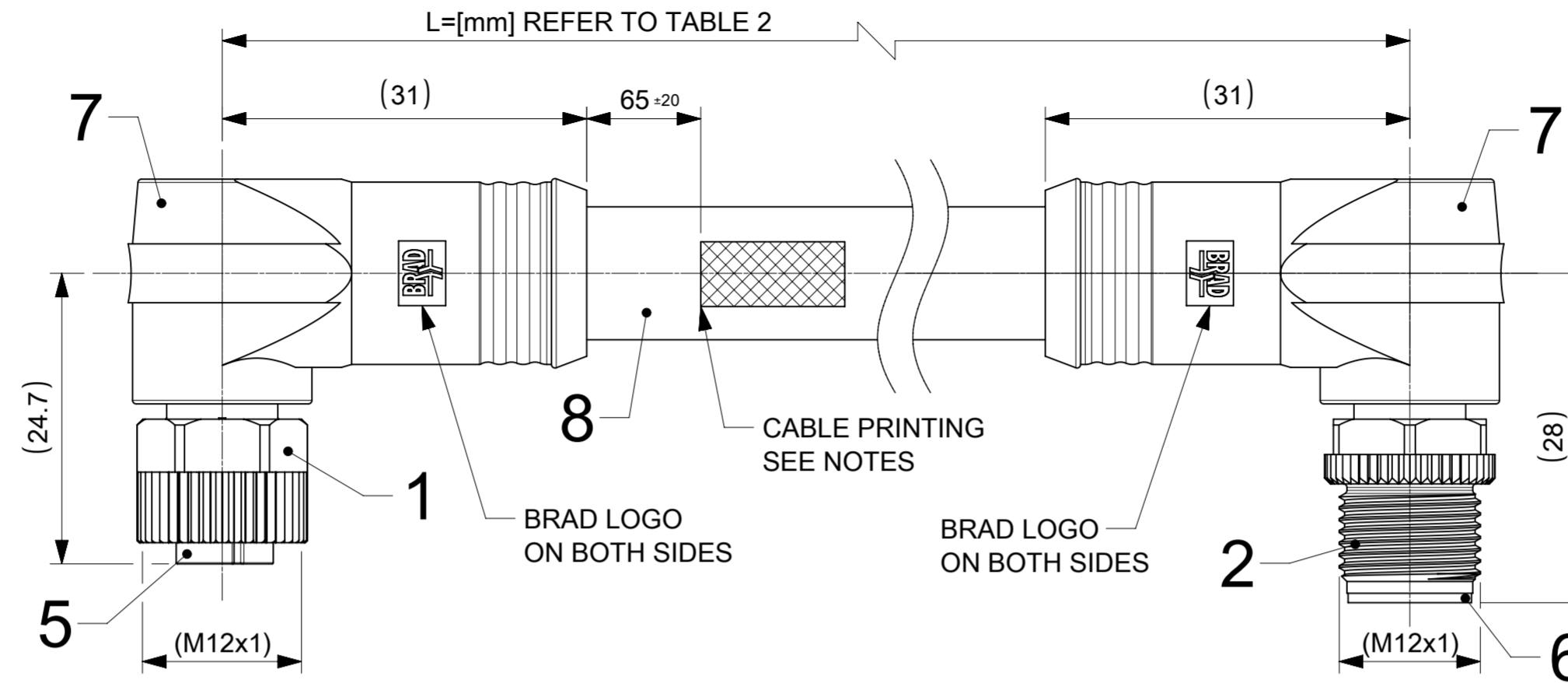
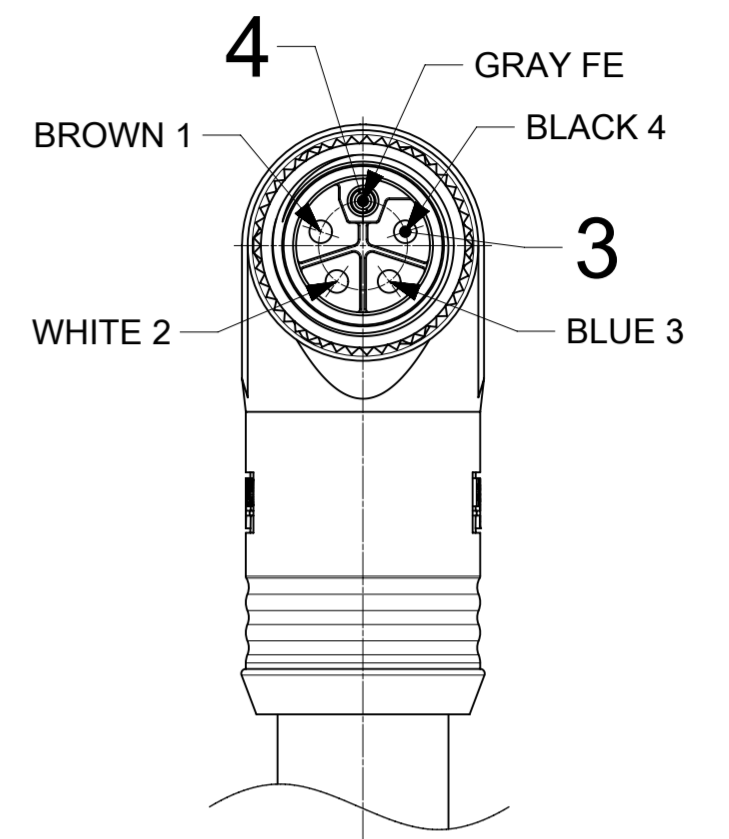


**MATING SIDE  
FEMALE CONNECTOR**



**MATING SIDE  
MALE CONNECTOR**



**NOTES:**

RATED VOLTAGE: MAX. 63V AC/DC  
 RATED CURRENT: MAX. 16A at 40°C (derating has to be considered)  
 IP RATING: IP67 (mated and locked condition)  
 TEMPERATURE RANGE: -25°C TO +85°C

**CABLE PRINTING (sequence as shown below):**

- MOLEX engineering no. (see page 2)
- MOLEX material no. (see page 2)
- MOLEX MAX. 63V AC/DC MAX. 16 A USL
- MOLEX AND DATE OF MANUFACTURING (YY=YEAR; WW=WEEK): MXYWW
- Not for current interrupting
- PROFINET 24V Power 4x2,5 + FE

PART ACCORDING PRODUCT SPEC: 1205010169  
 PACKAGING ACCORDING PACKAGING SPEC: 1201202000

**TABLE 1**

POS	DESCRIPTION	MATERIAL	FINISH
1	NUT M12 FE	BRASS	Ni
2	NUT M12 MA	BRASS	Ni
3	CONTACT 15 MA	BRASS	Au
4	CONTACT 15 FE	BRASS	Au
5	INSERT FEMALE	PA	GREY
6	INSERT MALE	PA	GREY
7	OVERMOLD	TPE	BLACK
8	CABLE 5x2.5 D11.3 WSOR	PUR	GREY
9	GASKET OR 8.2X1.25	FKM	BLACK
OPTIONAL 10	ID-CARRIER	-	-

FUNCTIONAL SYMBOLS	THIS DRAWING CONTAINS INFORMATION THAT IS PROPRIETARY TO MOLEX ELECTRONIC TECHNOLOGIES, LLC AND SHOULD NOT BE USED WITHOUT WRITTEN PERMISSION		CURRENT REV DESC: UPDATED ATTRIBUTE TO GENERAL MARKET IN ECTR	
	FA = 0	mm	2:1	
DIVISIONAL SYMBOLS	FC = 0	GENERAL TOLERANCES (UNLESS SPECIFIED)		
	FP = 0	ANGULAR TOL ± 1.0°	4 PLACES ±	
		3 PLACES ±	EC NO: 735577	
		2 PLACES ± 0.05	DRWN: MARUTD	2023/01/12
		1 PLACE ± 0.3	CHK'D: RSILLER	2023/01/19
		0 PLACES ± 0.5	APPR: RSILLER	2023/01/19
	DRAFT WHERE APPLICABLE MUST REMAIN WITHIN DIMENSIONS	THIRD ANGLE PROJECTION	INITIAL REVISION:	
		DRAWING	DRWN: FDAFERNER	2020/02/11
		SERIES	APPR: RSILLER	2021/03/15
		A2-SIZE	120501	DOCUMENT NUMBER
				1205010124
				CUSTOMER
				GENERAL MARKET
				SHEET NUMBER
				1 OF 2

**molex**

CSE M12 5P LC FE RA MA RA WSOR GY XM

PRODUCT CUSTOMER DRAWING

PSD 000 A1

# ENGINEERING NO - NUMERICAL CODE (Available parts see PART LIST table. Other parts available upon request).

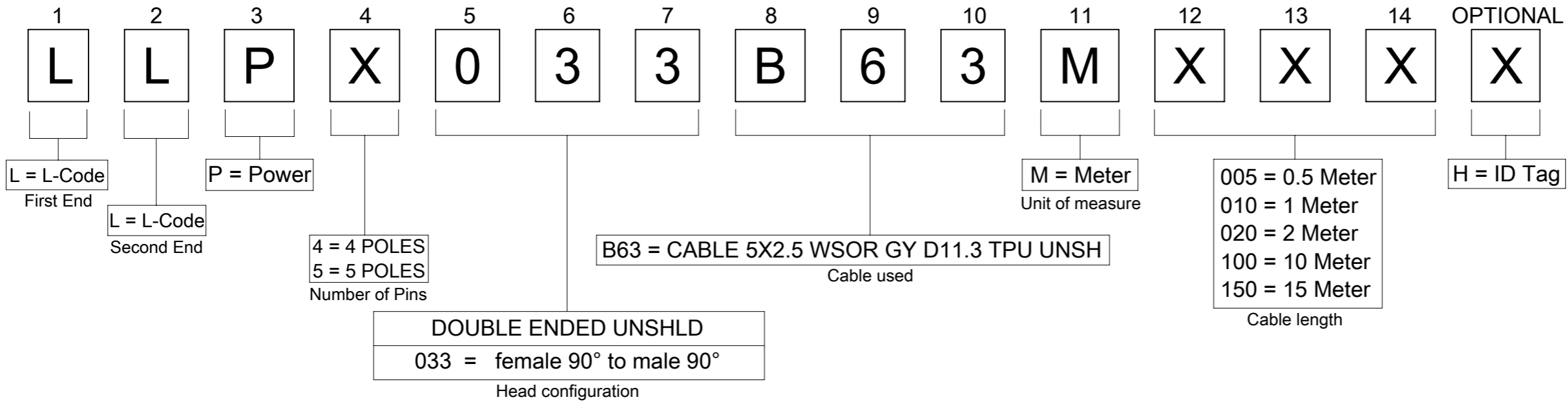


TABLE 2

NOMINAL SECTION 2,5mm <sup>2</sup>			
MATERIAL NO.	ENGINEERING NO.	L [mm]	TOLERANCE [mm]
1205010124	LLP5033B63M005	500	+40
1205010125	LLP5033B63M010	1000	+40
1205010126	LLP5033B63M020	2000	+60
1205010127	LLP5033B63M030	3000	+60
1205010128	LLP5033B63M050	5000	+60
1205010129	LLP5033B63M100	10000	+80
1205010130	LLP5033B63M150	15000	+140
1205010131	LLP5033B63M200	20000	+140
DOCUMENT STATUS	P1	RELEASE DATE	2023/01/19 11:13:43

FUNCTIONAL SYMBOLS	THIS DRAWING CONTAINS INFORMATION THAT IS PROPRIETARY TO MOLEX ELECTRONIC TECHNOLOGIES, LLC AND SHOULD NOT BE USED WITHOUT WRITTEN PERMISSION		
	$\nabla_A = 0$ $\nabla_B = 0$ $\nabla_C = 0$	DIMENSION UNITS <b>mm</b>	SCALE <b>1:1</b>
DIVISIONAL SYMBOLS	GENERAL TOLERANCES (UNLESS SPECIFIED)		EC NO: 735577 DRWN: MARUTD CHK'D: RSILLER APPR: RSILLER INITIAL REVISION: DRWN: FDAFERNER APPR: RSILLER
	ANGULAR TOL ± 1.0°		
	4 PLACES	±	
	3 PLACES	±	
DRAFT WHERE APPLICABLE MUST REMAIN WITHIN DIMENSIONS		THIRD ANGLE PROJECTION 	DRAWING <b>A3-SIZE</b>
CURRENT REV DESC: UPDATED ATTRIBUTE TO GENERAL MARKET IN ECTR		2023/01/12 2023/01/19 2023/01/19	2020/02/11 2021/03/15
PRODUCT CUSTOMER DRAWING		DOCUMENT NUMBER <b>1205010124</b>	DOC TYPE PSD
CSE M12 5P LC FE RA MA RA WSOR GY XM		DOC PART 000	REVISION A1
MATERIAL NUMBER		CUSTOMER GENERAL MARKET	SHEET NUMBER 2 OF 2