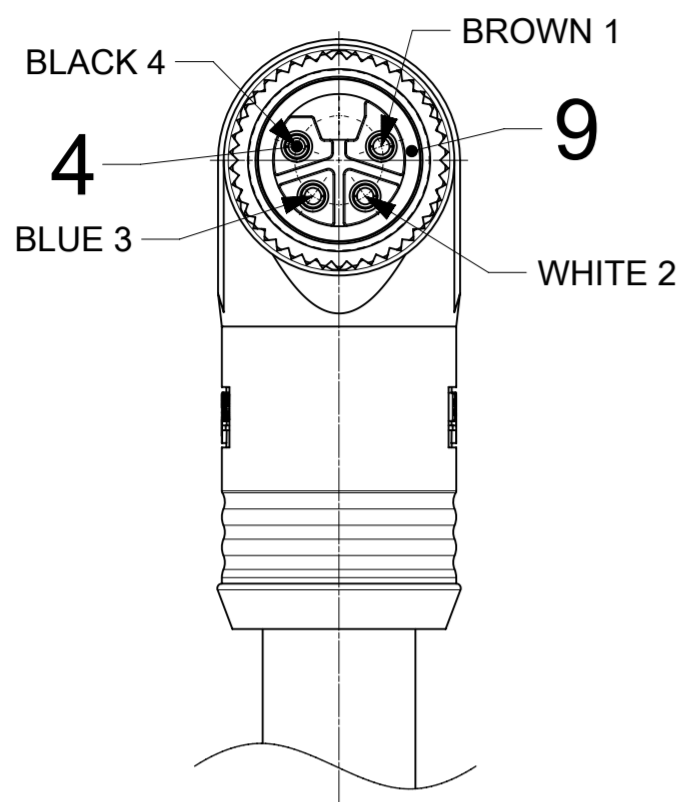
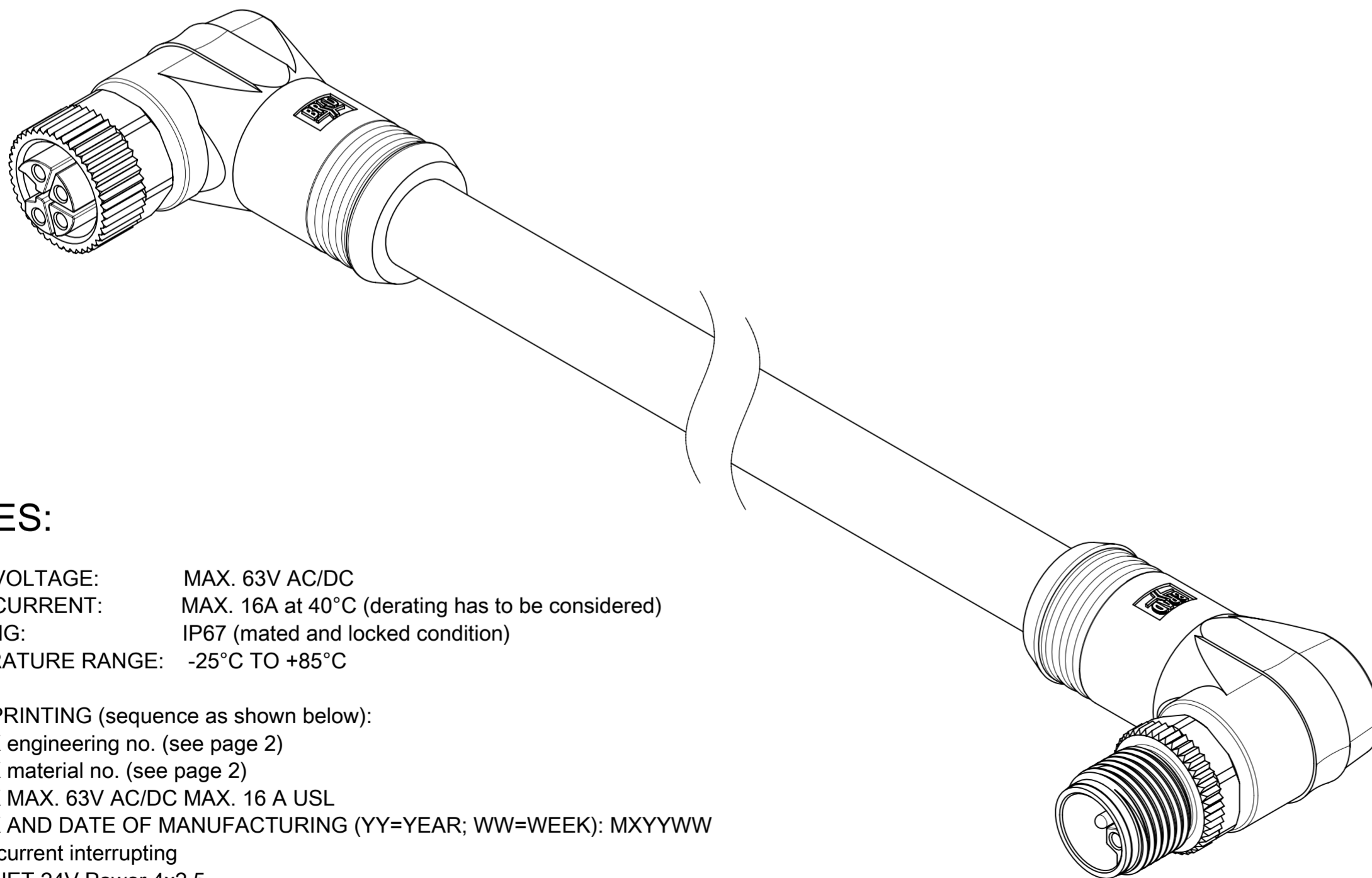
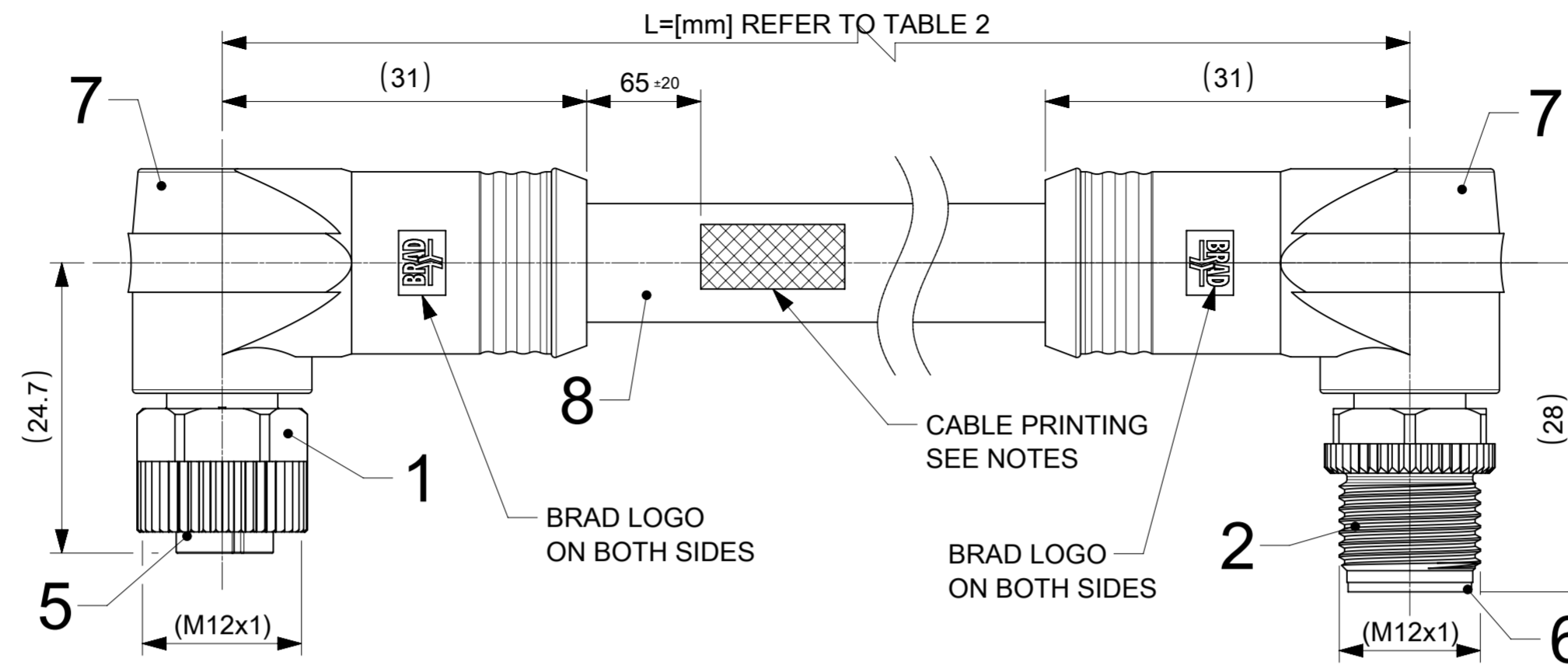
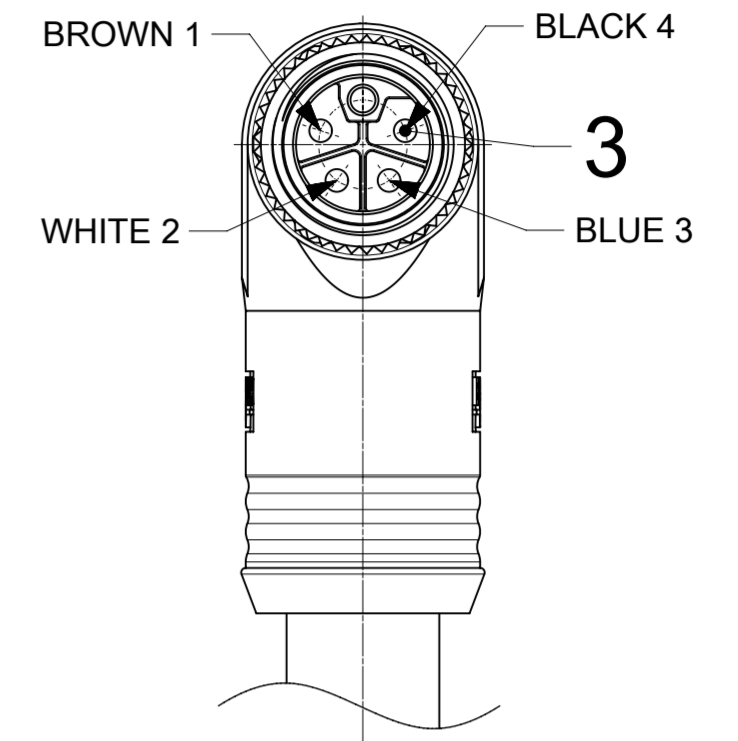


MATING SIDE
FEMALE CONNECTOR



MATING SIDE
MALE CONNECTOR



NOTES:

RATED VOLTAGE: MAX. 63V AC/DC
 RATED CURRENT: MAX. 16A at 40°C (derating has to be considered)
 IP RATING: IP67 (mated and locked condition)
 TEMPERATURE RANGE: -25°C TO +85°C

CABLE PRINTING (sequence as shown below):

- MOLEX engineering no. (see page 2)
- MOLEX material no. (see page 2)
- MOLEX MAX. 63V AC/DC MAX. 16 A USL
- MOLEX AND DATE OF MANUFACTURING (YY=YEAR; WW=WEEK): MXYWW
- Not for current interrupting
- PROFINET 24V Power 4x2,5

PART ACCORDING PRODUCT SPEC: 1205010169
 PACKAGING ACCORDING PACKAGING SPEC: 1201202000

TABLE 1

POS	DESCRIPTION	MATERIAL	FINISH
1	NUT M12 FE	BRASS	Ni
2	NUT M12 MA	BRASS	Ni
3	CONTACT 15 MA	BRASS	Au
4	CONTACT 15 FE	BRASS	Au
5	INSERT FEMALE	PA	BLACK
6	INSERT MALE	PA	BLACK
7	OVERMOLD	TPE	BLACK
8	CABLE 4x2.5 D10.1 WSOR	PUR	BLACK
9	GASKET OR 8.2X1.25	FKM	BLACK
OPTIONAL 10	ID CARRIER	-	-

FUNCTIONAL SYMBOLS FA=0 FC=0 FP=0	THIS DRAWING CONTAINS INFORMATION THAT IS PROPRIETARY TO MOLEX ELECTRONIC TECHNOLOGIES, LLC AND SHOULD NOT BE USED WITHOUT WRITTEN PERMISSION						
	DIMENSION UNITS	SCALE					CURRENT REV DESC: UPDATED ATTRIBUTE TO GENERAL MARKET IN ECTR
	mm	2:1	EC NO: 735577				
	GENERAL TOLERANCES (UNLESS SPECIFIED)		DRWN: NIKHIS3 2023/01/12				
ANGULAR TOL ± 1.0°		CHK'D: RSILLER 2023/01/19					
4 PLACES ±		APPR: RSILLER 2023/01/19					
3 PLACES ±		INITIAL REVISION:					
2 PLACES ± 0.05		DRWN: FDAFERNER 2020/05/12					
1 PLACE ± 0.3		APPR: RSILLER 2021/10/05					
0 PLACES ± 0.5		DRAFT WHERE APPLICABLE MUST REMAIN WITHIN DIMENSIONS					
THIRD ANGLE PROJECTION		DRAWING	SERIES	DOCUMENT NUMBER	DOC TYPE	DOC PART	REVISION
A2-SIZE		120501	SEE TABLE 2	1205010156	PSD	000	A1
MATERIAL NUMBER		CUSTOMER		SHEET NUMBER			
120501		GENERAL MARKET		1 OF 2			

ENGINEERING NO - NUMERICAL CODE (Available parts see PART LIST table. Other parts available upon request).

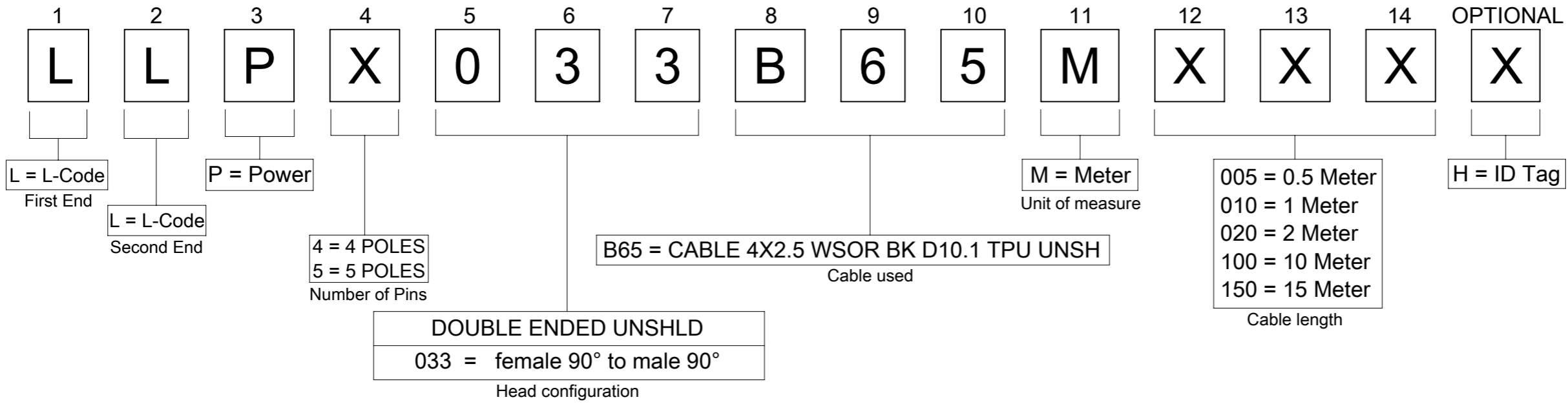


TABLE 2

NOMINAL SECTION 2,5mm ²			
MATERIAL NO.	ENGINEERING NO.	L [mm]	TOLERANCE [mm]
1205010156	LLP4033B65M005	500	+40
1205010157	LLP4033B65M010	1000	+40
1205010158	LLP4033B65M020	2000	+60
1205010159	LLP4033B65M030	3000	+60
1205010160	LLP4033B65M050	5000	+60
1205010161	LLP4033B65M100	10000	+80
1205010162	LLP4033B65M150	15000	+140
1205010163	LLP4033B65M200	20000	+140

FUNCTIONAL SYMBOLS	THIS DRAWING CONTAINS INFORMATION THAT IS PROPRIETARY TO MOLEX ELECTRONIC TECHNOLOGIES, LLC AND SHOULD NOT BE USED WITHOUT WRITTEN PERMISSION			
	$\nabla_A = 0$ $\nabla_B = 0$ $\nabla_C = 0$	DIMENSION UNITS: mm SCALE: 1:1		
DIVISIONAL SYMBOLS	GENERAL TOLERANCES (UNLESS SPECIFIED)		EC NO: 735577	
	ANGULAR TOL $\pm 1.0^\circ$		DRWN: NIKHIS3 2023/01/12	
	4 PLACES \pm		CHK'D: RSILLER 2023/01/19	
	3 PLACES \pm		APPR: RSILLER 2023/01/19	
2 PLACES ± 0.05		INITIAL REVISION:		
1 PLACE ± 0.3		DRWN: FDAFERNER 2020/05/12		
0 PLACES ± 0.5		APPR: RSILLER 2021/10/05		
DRAFT WHERE APPLICABLE MUST REMAIN WITHIN DIMENSIONS		THIRD ANGLE PROJECTION	DRAWING	SERIES
			A3-SIZE	120501
		MATERIAL NUMBER	CUSTOMER	SHEET NUMBER
		SEE TABLE 2	GENERAL MARKET	2 OF 2