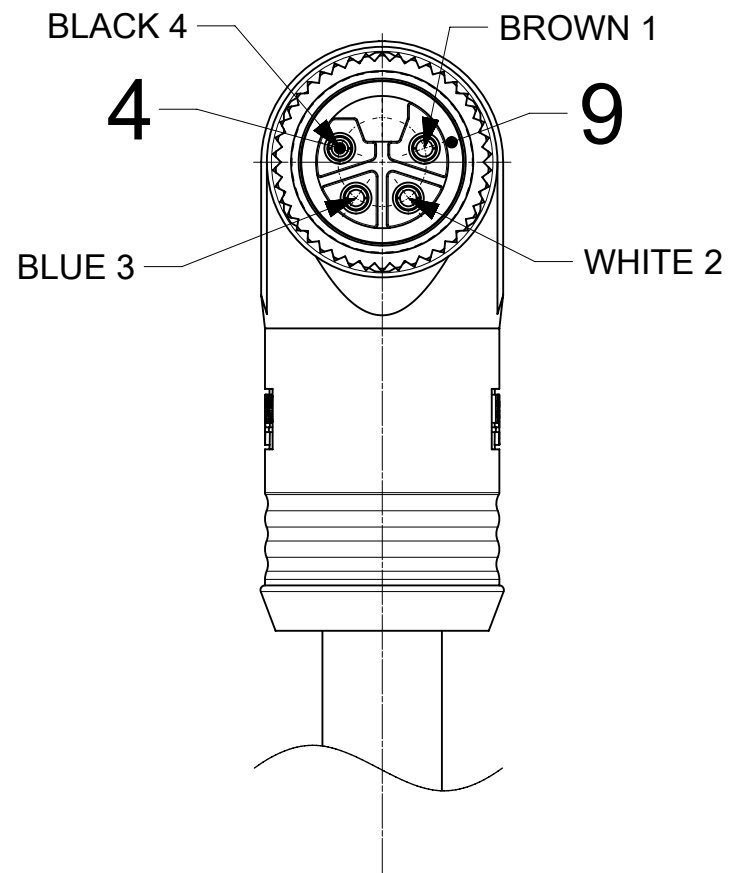
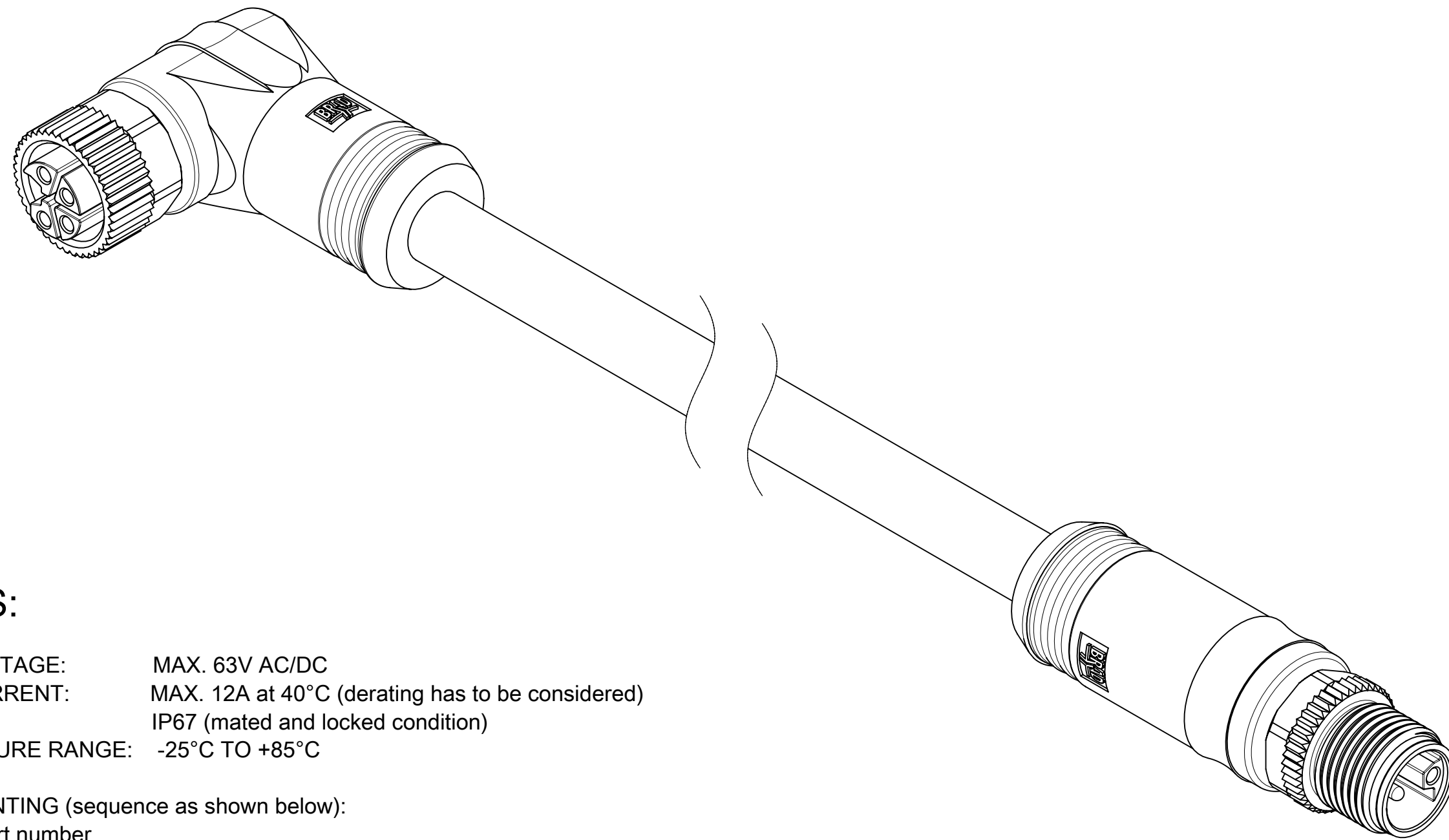
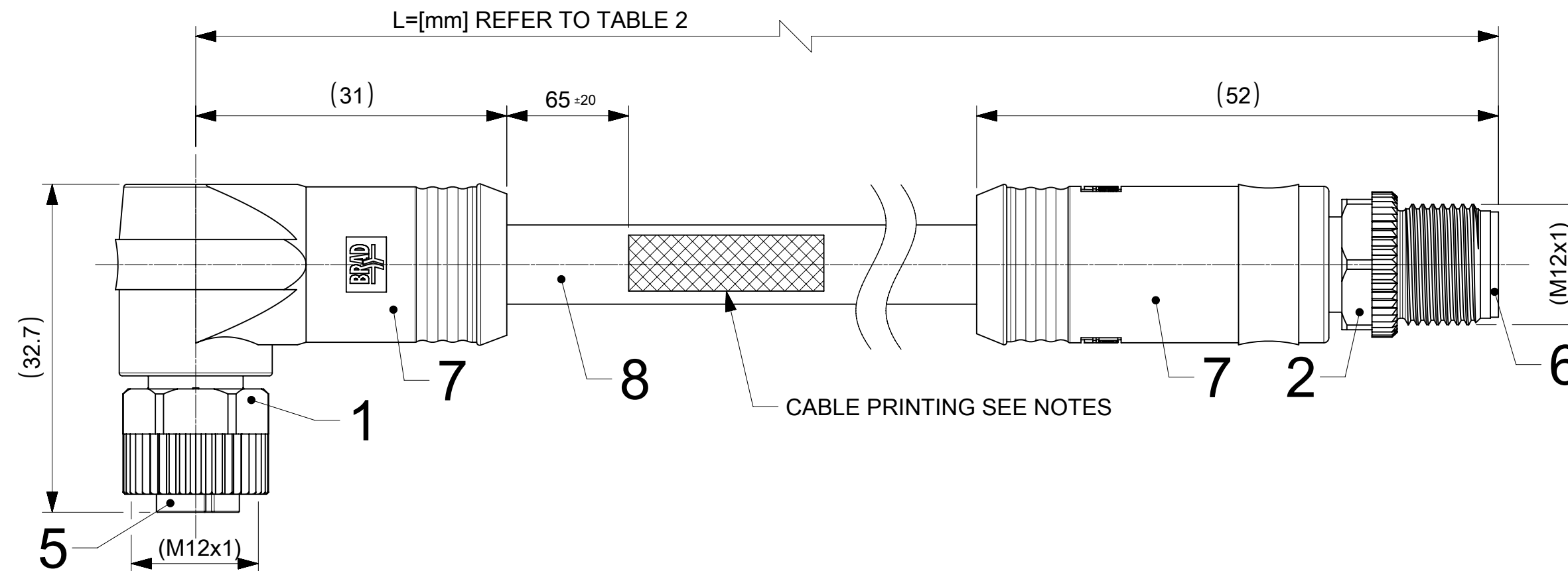
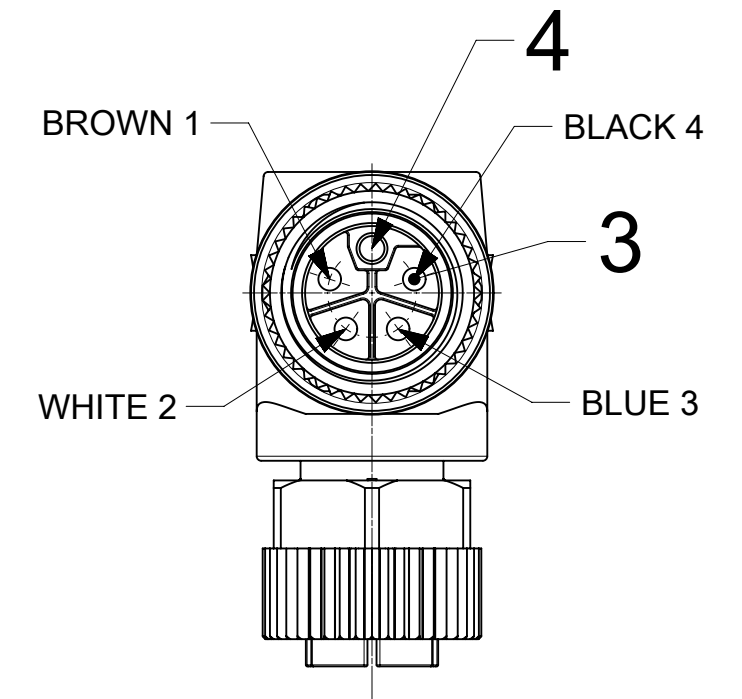


MATING SIDE  
FEMALE CONNECTOR



MATING SIDE  
MALE CONNECTOR



NOTES:

RATED VOLTAGE: MAX. 63V AC/DC  
 RATED CURRENT: MAX. 12A at 40°C (derating has to be considered)  
 IP RATING: IP67 (mated and locked condition)  
 TEMPERATURE RANGE: -25°C TO +85°C

CABLE PRINTING (sequence as shown below):

- MOLEX part number
- "Made in " COUNTRY OF ORIGIN
- MOLEX AND DATE OF MANUFACTURING (YY=YEAR; WW=WEEK): MXYYYWW
- Not for current interrupting

PART ACCORDING PRODUCT SPEC: 1205010169  
 PACKAGING ACCORDING PACKAGING SPEC: 1201202000

TABLE 1

POS	DESCRIPTION	MATERIAL	FINISH
1	NUT M12 FE	BRASS	Ni
2	NUT M12 MA	BRASS	Ni
3	CONTACT 15 MA	BRASS	Au
4	CONTACT 15 FE	BRASS	Au
5	INSERT FEMALE	PA	BLACK
6	INSERT MALE	PA	BLACK
7	OVERMOLD	TPE	BLACK
8	CABLE 4x1.5 D7.9 WSOR	PUR	BLACK
9	GASKET OR 8.2X1.25	FKM	BLACK
OPTIONAL 10	ID CARRIER	-	-

THIS DRAWING CONTAINS INFORMATION THAT IS PROPRIETARY TO MOLEX ELECTRONIC TECHNOLOGIES, LLC AND SHOULD NOT BE USED WITHOUT WRITTEN PERMISSION									
FUNCTIONAL SYMBOLS	DIMENSION UNITS	SCALE	CURRENT REV DESC: UPDATED ATTRIBUTE TO GENERAL MARKET IN ECTR						
$\nabla_A = 0$	mm	2:1	EC NO: 735577 DRWN: MARUTD 2023/01/11 CHK'D: RSILLER 2023/01/19 APPR: RSILLER 2023/01/19 INITIAL REVISION: DRWN: FDAFERNER 2020/08/20 APPR: RSILLER 2022/12/05						
$\nabla_C = 0$	GENERAL TOLERANCES (UNLESS SPECIFIED)								
$\nabla_P = 0$	ANGULAR TOL $\pm 1.0^\circ$								
DIVISIONAL SYMBOLS	4 PLACES	$\pm$							
	3 PLACES	$\pm$	CSE M12 4P LC FE RA MA STR WSOR BK XM						
	2 PLACES	$\pm 0.05$	PRODUCT CUSTOMER DRAWING						
	1 PLACE	$\pm 0.3$	DOCUMENT NUMBER						
	0 PLACES	$\pm 0.5$	1205010240						
	DRAFT WHERE APPLICABLE MUST REMAIN WITHIN DIMENSIONS	THIRD ANGLE PROJECTION	DRAWING	SERIES	MATERIAL NUMBER	CUSTOMER	DOC TYPE	DOC PART	REVISION
			A2-SIZE	120501	SEE TABLE 2	GENERAL MARKET	PSD	000	A1
									SHEET NUMBER
									1 OF 2

# ENGINEERING NO - NUMERICAL CODE (Available parts see PART LIST table. Other parts available upon request).

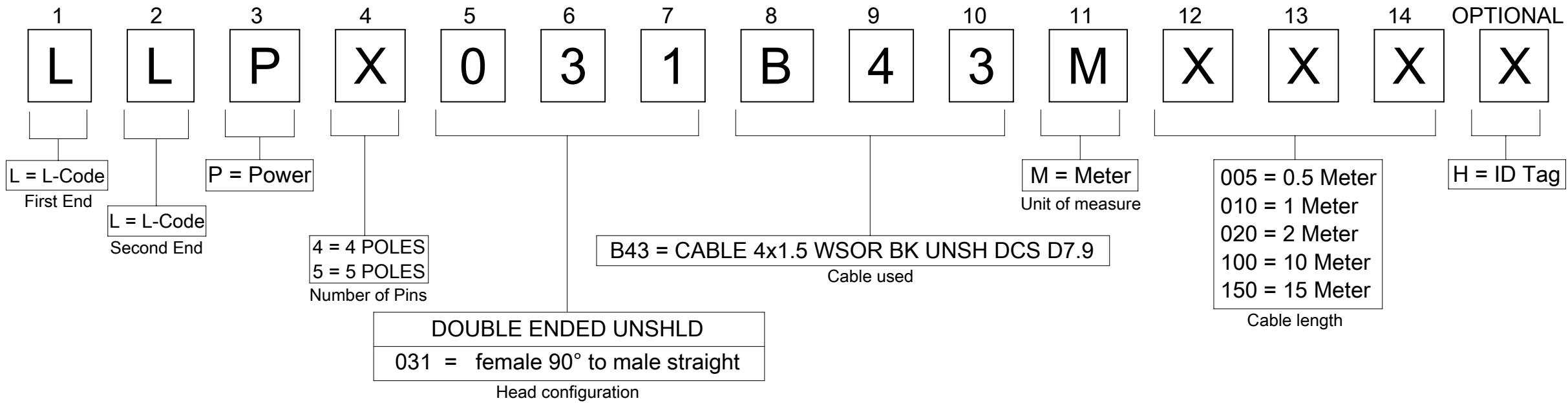


TABLE 2

NOMINAL SECTION 1,5mm <sup>2</sup>			
MATERIAL NO.	ENGINEERING NO.	L [mm]	TOLERANCE [mm]
1205010240	LLP4031B43M005	500	+40
1205010241	LLP4031B43M010	1000	+40
1205010242	LLP4031B43M020	2000	+60
1205010243	LLP4031B43M030	3000	+60
1205010244	LLP4031B43M050	5000	+60
1205010245	LLP4031B43M100	10000	+80
1205010246	LLP4031B43M150	15000	+140
1205010247	LLP4031B43M200	20000	+140

DOCUMENT STATUS	P1	RELEASE DATE	2023/01/19	11:13:52
-----------------	----	--------------	------------	----------

FUNCTIONAL SYMBOLS	THIS DRAWING CONTAINS INFORMATION THAT IS PROPRIETARY TO MOLEX ELECTRONIC TECHNOLOGIES, LLC AND SHOULD NOT BE USED WITHOUT WRITTEN PERMISSION					
	<table border="1"> <tr> <th>DIMENSION UNITS</th> <th>SCALE</th> </tr> <tr> <td>mm</td> <td>1:1</td> </tr> </table>	DIMENSION UNITS	SCALE	mm	1:1	CURRENT REV DESC: UPDATED ATTRIBUTE TO GENERAL MARKET IN ECTR
DIMENSION UNITS	SCALE					
mm	1:1					
DIVISIONAL SYMBOLS	GENERAL TOLERANCES (UNLESS SPECIFIED)					
	ANGULAR TOL ± 1.0°					
	4 PLACES	±				
	3 PLACES	±				
	2 PLACES	±	0.05			
1 PLACE	±	0.3				
0 PLACES	±	0.5				
DRAFT WHERE APPLICABLE MUST REMAIN WITHIN DIMENSIONS		THIRD ANGLE PROJECTION	DRAWING			
			A3-SIZE			
		SERIES	120501			
		MATERIAL NUMBER	SEE TABLE 2			
		CUSTOMER	GENERAL MARKET			
		DOC TYPE	PSD			
		DOC PART	000			
		REVISION	A1			
		SHEET NUMBER	2 OF 2			



CSE M12 4P LC FE RA MA STR WSOR BK XM

PRODUCT CUSTOMER DRAWING

DOCUMENT NUMBER: 1205010240