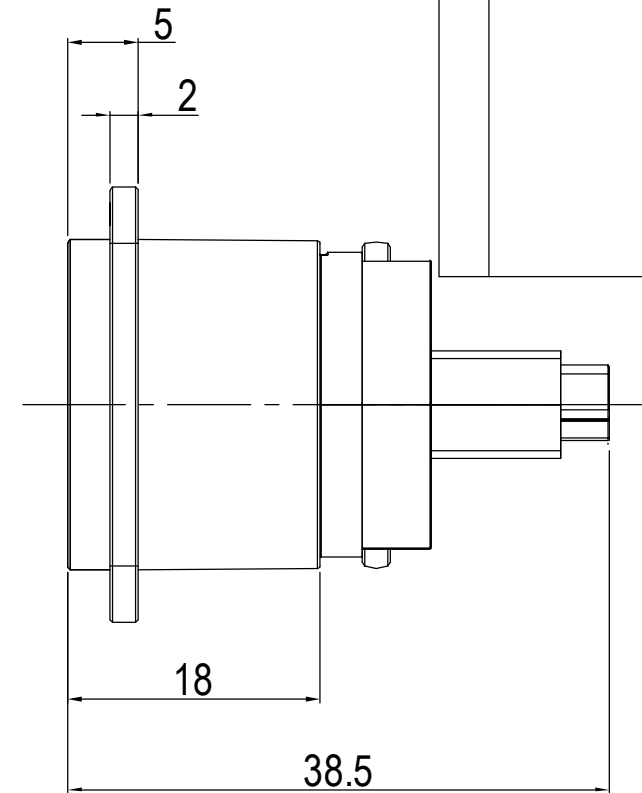
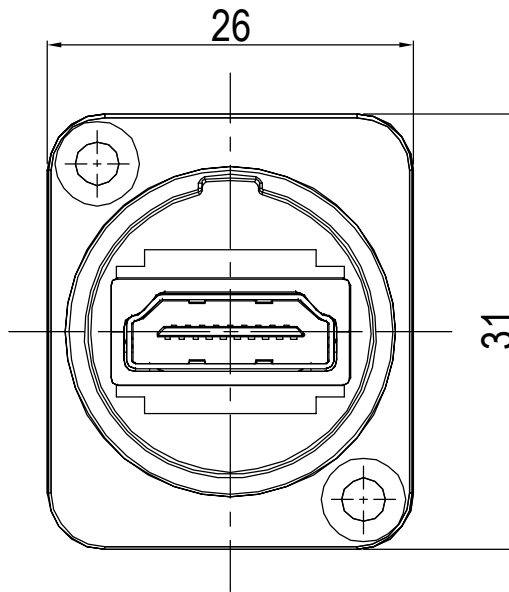
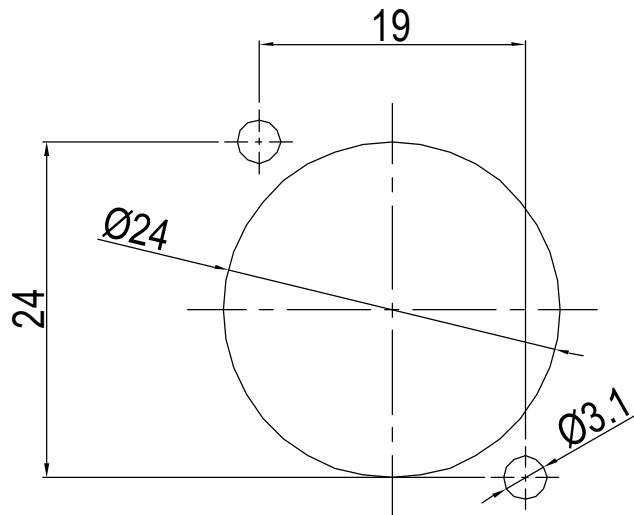


ISS.	AMEND	DATE
1	ISSUED	17/10/17

Panel cut out (front view)



Specification / Technical Data:

Contact Resistance: 30mΩ MAX

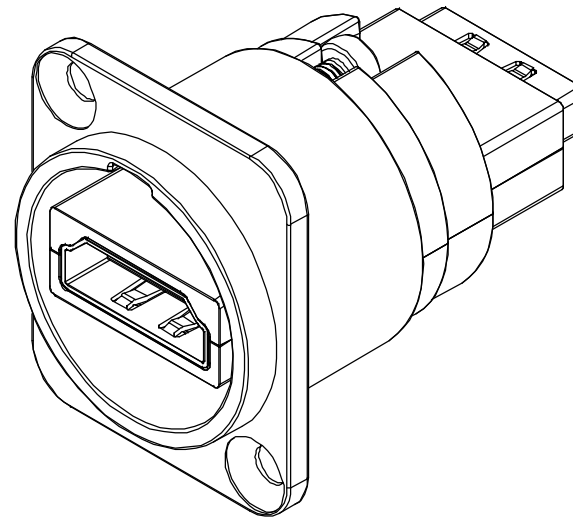
Insulation Resistance : 500MΩ min

Dielectric withstanding voltage: 500V AC one minute

Rated Current 0.5A

Rated Voltage 40V

Temperature Range -30°C to 50°C



ITEM	DESCRIPTION	MATERIAL	FINISH
1	FRAME	ZINC DIECAST	NICKEL
2	INSERT	ABS	BLACK
3	SCREW	STEEL	NICKEL
4	HDMI	ALLOY	NICKEL

**RoHS**  
✓ COMPLIANT

TOLERANCE

NO DEC. PLACE ±  
1 DEC. PLACE ±  
2 DEC. PLACE ±  
HOLE Ø ±  
ANGLES ±  
UNLESS OTHERWISE STATED

DO NOT SCALE



DIMENSIONS IN MILLIMETERS UNLESS OTHERWISE STATED. WORK TO DIMENSIONS. REMOVE ALL BURRS. IF IN DOUBT ASK.

3rd ANGLE PROJECTION:

THE CONTENTS OF THIS DOCUMENT MUST NOT BE COPIED OR DISCLOSED

MATERIAL: SEE TABLE

FINISH: SEE TABLE

TITLE: XLR HDMI FT - METAL

2017

DRAWN: T.J.O.

APPROVED: D.P.J.

DRWG. No. CP30116

FORM: A4DRWGH