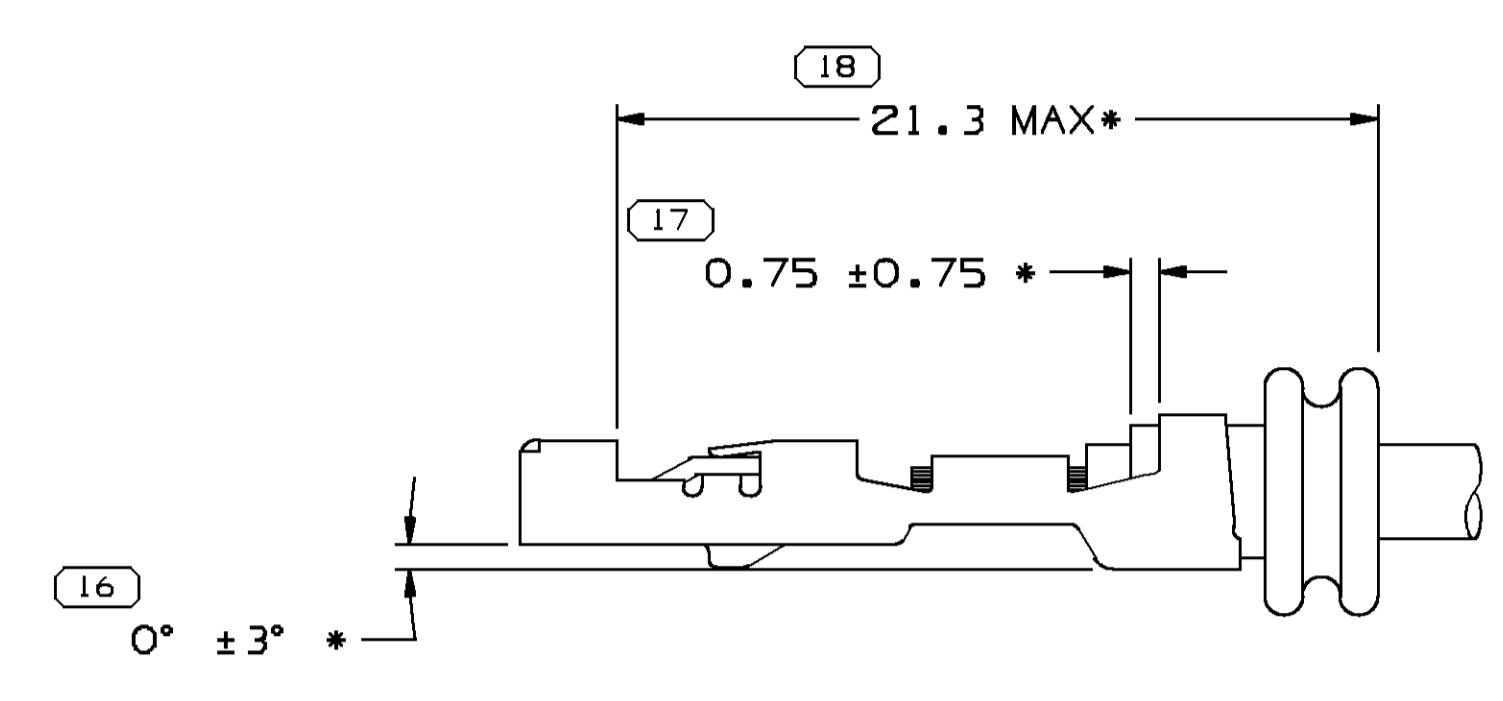
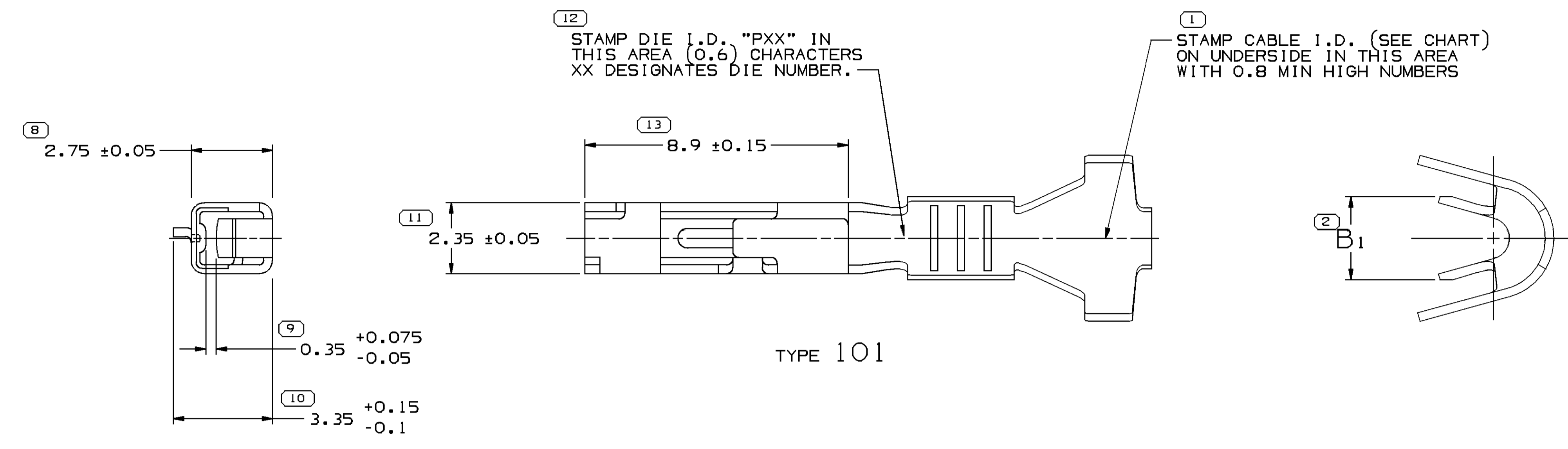
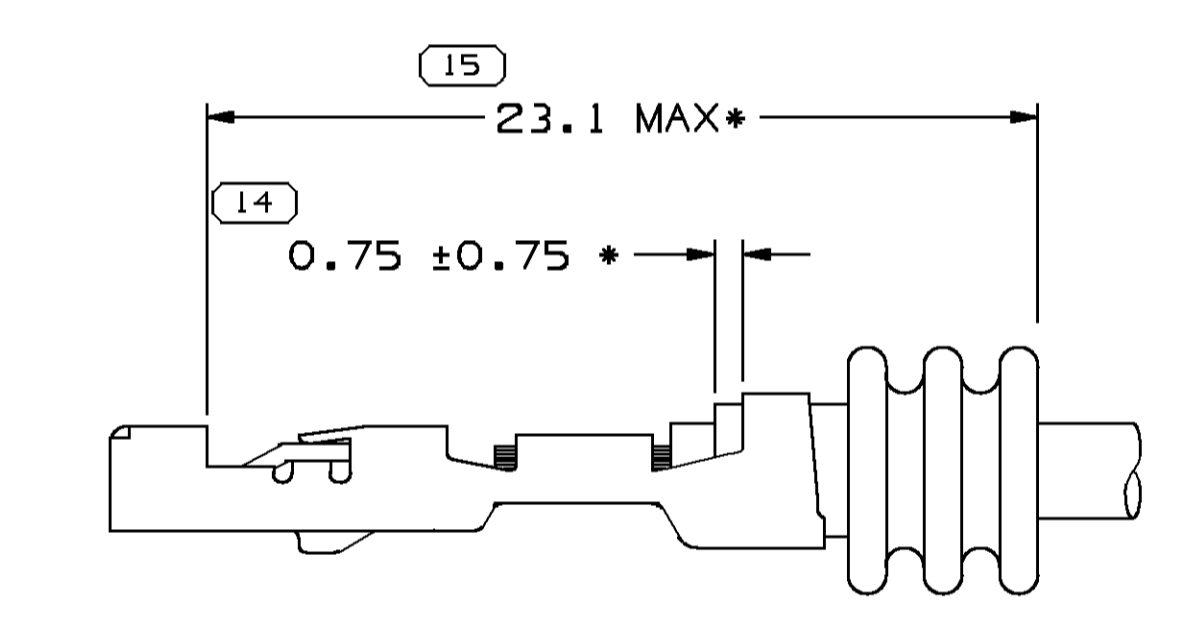
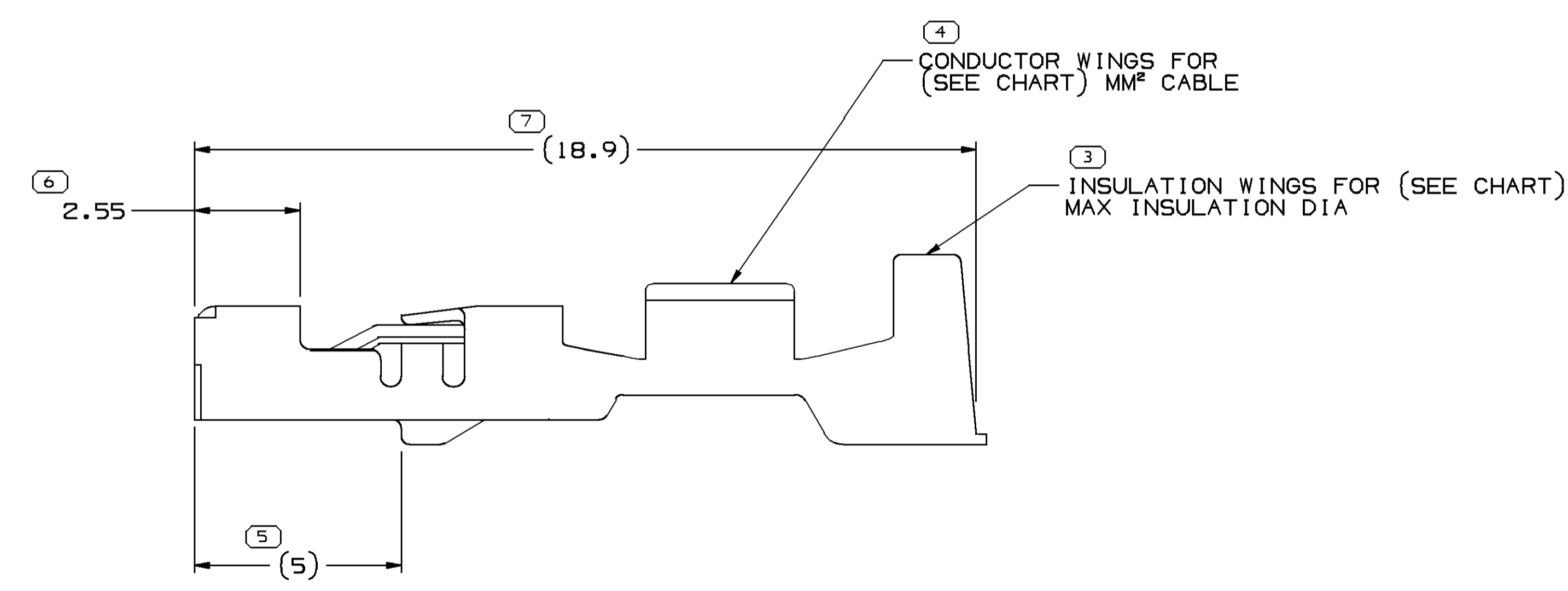


SYMBOL DEFINITION		TOTAL NO OF INSPECTIONS REQUIRED	
A DIMENSION WITHOUT AN INSPECTION REPORT SYMBOL () DOES NOT REQUIRE INSPECTION. IT MAY BE CONTROLLED ON THE INDIVIDUAL COMPONENT DRAWING.		18	
	LAST NO. USED	18	

MISSING SYMBOLS		NO MISSING SYMBOL NUMBER	
DATE	STG	REV	N/P
30JL02	R	01	-
12SE03	R	02	-
17SE03	R	03	-
24CC03	R	04	-
16AU04	R	05	-
16MY05	R	06	-
05NO08	R	07	-
16MR10	R	08	-
04AU10	R	09	-
30SE10	R	10	-
23MY11	R	11	-



2 RIB SEAL POSITION REF AND TERMINAL/CABLE ALIGNMENT
SCALE 5:1



3 RIB SEAL POSITION REF
SCALE 5:1

NOTES

- UNLESS OTHERWISE SPECIFIED AND/OR INDICATED: DIMENSIONS ARE TO FACE OF VIEW SHOWN AND AUTOMATICALLY ROUNDED BY COMPUTER FOR INSPECTION. (SEE MATH MODEL FOR PRECISE DIMENSIONS.) FOR ALL OTHER DIMENSIONS NOT SHOWN BUT REQUIRED FOR TOOL BUILD, SEE MATH MODEL FOR PRECISE TOOL PATH DATA.
- REFERENCE MATING COMPONENTS OR EQUIVALENT:
TERMINAL - 15304706
- * DENOTES DIMENSIONS MADE AT CUT-OFF AND CRIMP DIE.
- DO NOT PROBE, TEST OR OTHERWISE CONTACT THE INTERIOR REGION (THE SPRING OR ANY MOVING PART) OF THIS TERMINAL. SEVERE DAMAGE CAN OCCUR, COMPROMISING THE PERFORMANCE OF THE ELECTRICAL INTERFACE.
- PLATING TYPE:
1. REFLOW TIN 1.9-3.3 MICROMETERS THICK WITH A COPPER UNDERPLATE 0.5 MICROMETER TO 1.0 MICROMETER THICK.

PLATING TYPE INFORMATION SHOWN ABOVE IS REFERENCE ONLY. PLATING REQUIREMENTS ARE CONTAINED IN APPLICABLE MATERIAL SPECIFICATION.

PART NO	REV	N/P	STATUS	PREFERRED MAT'L SIZE	ALTERNATIVE MAT'L SIZE	MAT'L DESCRIPTION	SIZE (MM²)	ID	DIA	TYPE	B ₁ ±0.2	APPLICATION	TYPICAL CABLE SEAL OR EQUIVALENT	TYPICAL SEALING CAVITY CONFIGURATION	CONTACT AREA PLATING TYPE (SEE NOTE 5)	CRIMP AREA PLATING TYPE (SEE NOTE 5)
15326267	04	AG	-	0.3 X 26.71	0.3 X 27.38	COPPER ALLOY	0.75 - 0.8	18	2.02 - 1.7	101	2.65	SEALED (MINI)	15305351	3.2 X 4 OVAL	I	I
15326266	04	AG	-	0.3 X 26.71	0.3 X 27.38	COPPER ALLOY	0.35 - 0.5	21	1.85 - 1.2	101	2.1	SEALED (MINI)	15366022	3.2 X 4 OVAL	I	I
15326265	04	AG	-	0.3 X 26.71	0.3 X 27.38	COPPER ALLOY	0.75 - 1	17	2.25 - 1.7	101	2.65	SEALED (GT)	15366060	Ø 4 ROUND	I	I
15326264	04	AG	-	0.3 X 26.71	0.3 X 27.38	COPPER ALLOY	0.35 - 0.5	21	1.85 - 1.2	101	2.1	SEALED (GT)	15366021	Ø 4 ROUND	I	I

PART DRAWING	
DATE	DATE
APV01 H. CASTRILLON	18AP97
APV02 FCO. KOPCA	21AP97
APV03 S.C. HSIEH	30SE98
APV04	

DELPHI
DELPHI PACKARD ELECTRICAL/ELECTRONIC ARCHITECTURE
WARREN, OH

OR
DATE

APV01 H. CASTRILLON 18AP97
APV02 FCO. KOPCA 21AP97
APV03 S.C. HSIEH 30SE98
APV04

UNLESS OTHERWISE SPECIFIED
THIS DOCUMENT IS IN ACCORDANCE WITH ASME Y14.5M-1994
AS MODIFIED BY THE 3D GLOBAL DIMENSIONING AND
TELEMETRIC ADDENDUM-2001. SEPARATE PATTERNS OF
FEATURES MAY BE DIMED SEPARATELY REGARDLESS OF DATUM
REFERENCES.

ALL DIMENSIONS ARE IN MILLIMETERS

REFERENCE

DRAWING NAME
TAXI TERM F 0T 150

DRAWING NUMBER
12191815

SIZE A0 SCALE 10:1 FRAME NO 1 OF 1 SHEET NO 2 OF 2 STG REV N/P R 11 -

PROCESS SENSITIVE DIMENSION	
DIMENSIONS ENCLOSED IN () INDICATE REFERENCE DIMENSIONS AND NO TOLERANCE LIMITS ARE ESTABLISHED	
DIMENSIONAL RANGE (MM)	CHART CD
FROM 0 TO 12	> 12
TOLERANCE UNLESS OTHERWISE SPECIFIED	
±0.1	±0.2
ANGULAR TOLERANCE ±2°	

