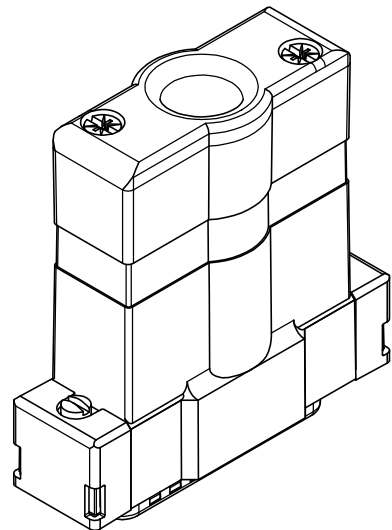
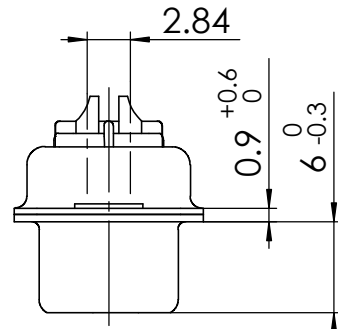
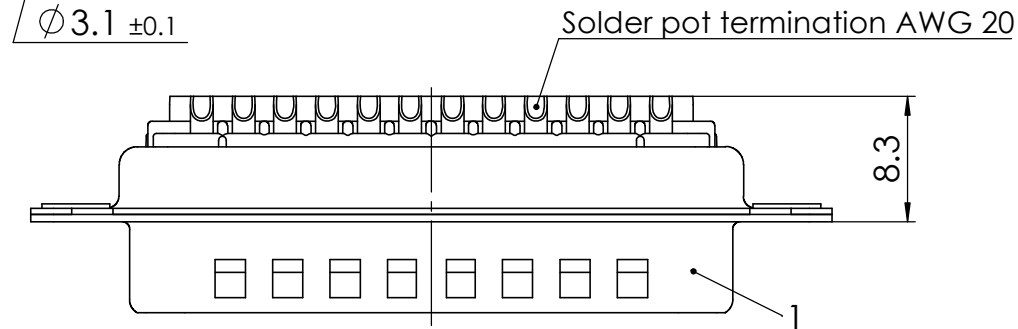
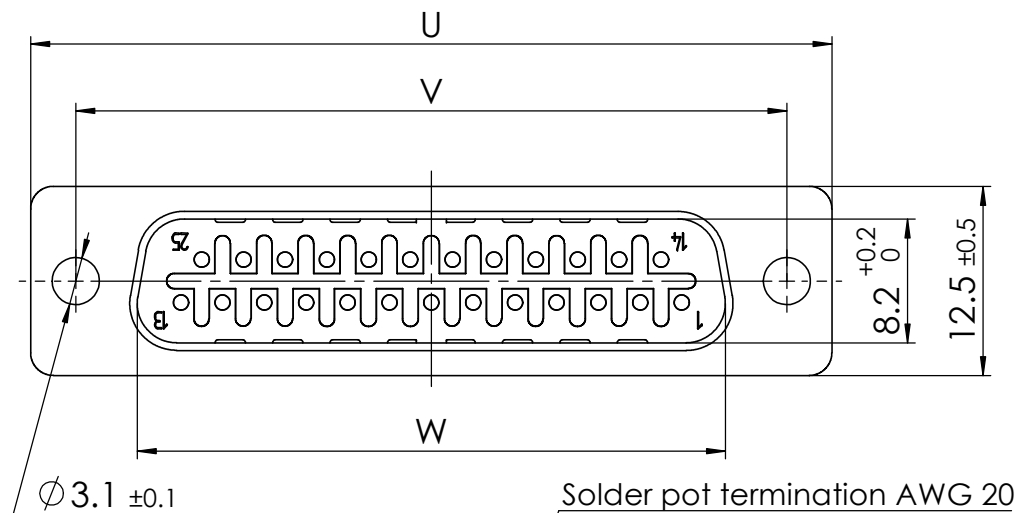
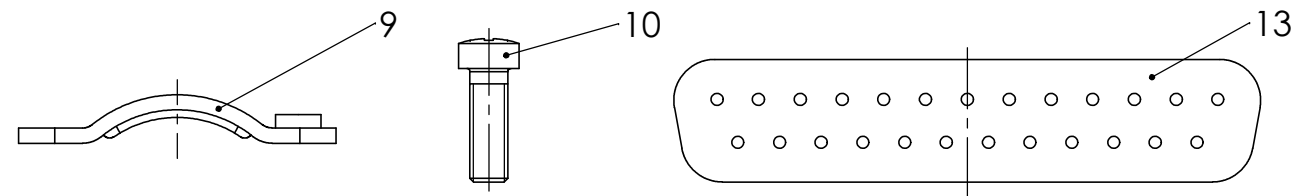


1	2	3	4			5			6		
Material-No.	Order-No.	Shell Size / for No. of Contacts	A ±0.3	B ±0.1	C ±0.3	D min - max	E ±0.3	∅F min - max	U ±0.4	V ±0.15	W +0.2
1731140389	FWH2A-15P-3649	2 / 15	14.6	33.3	42	45.5 - 48	15.9	6 - 8	39.1	33.3	25.2
1731140391	FWH3A-25P-3649	3 / 25	18.8	47.04	55.7	52.5 - 56.5	18.9	8 - 10.5	53	47.04	38.9

# FWHyA-xxP-3649

e.g. FWH3A-25P-3649

\*1) y for hood size 2 or 3  
 \*2) xx No. of contacts 15 or 25

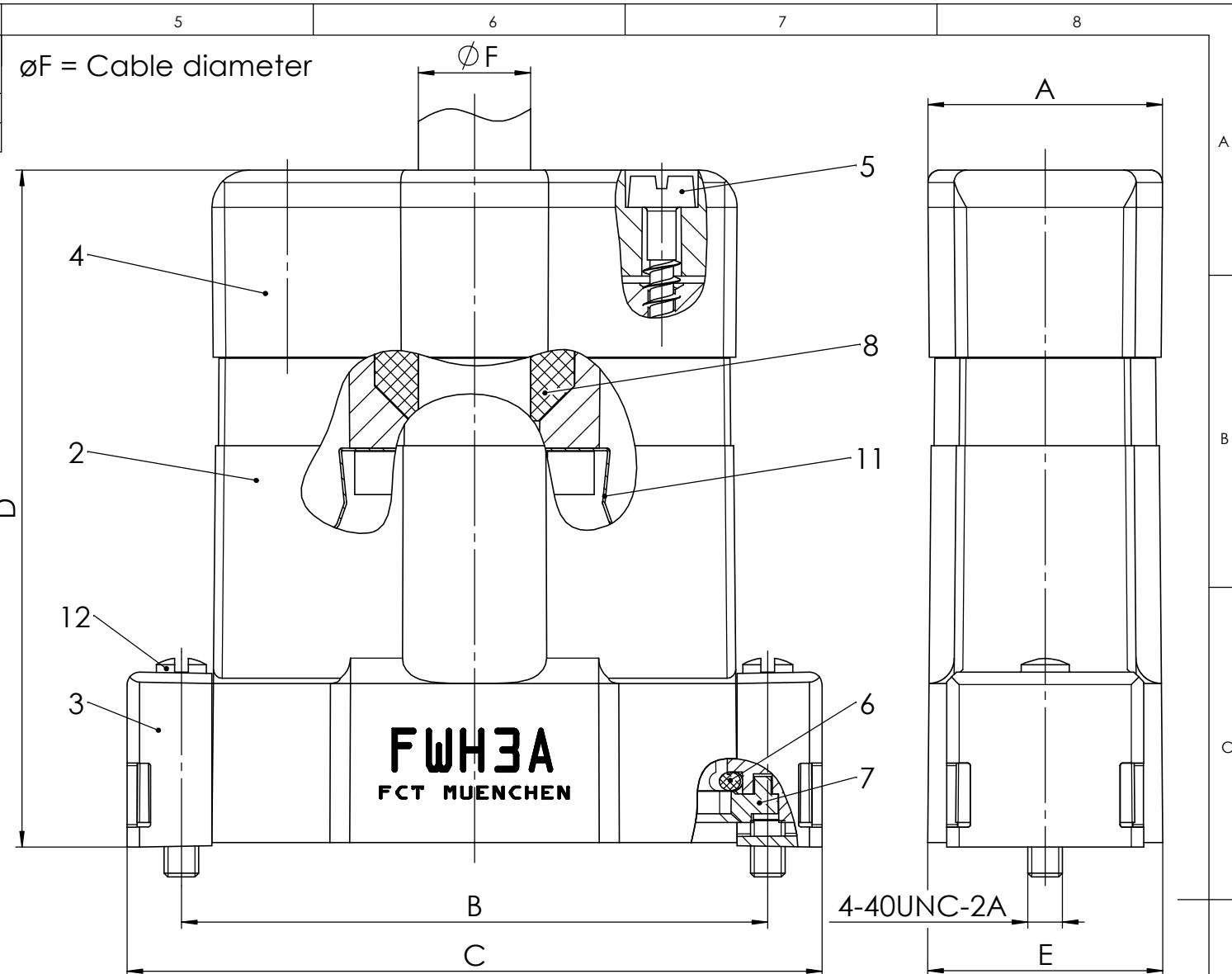


reverse side 1:1

RoHS compliant by exemption

max. torque are 40 Nm  
 Mounting instruction AM0324  
 Parts-No. 3, 9, 10 and 13 not mounted

Protection standard IP67 according to DIN EN 60529



No.	St.	Part	Type Description / Material	Surface plating / Colour / Class
13	1	Front seal	Elastomer	black
12	2	Locking screw	FVS1/5 4-40 / Brass	nickel plated
11	1	Shielding plate	Bronze	tin plated
10	2	Cable clamp screw	Steel	zinc plated
9	2	Cable clamp	Steel	zinc plated
8	1	Seal ring	Elastomer	black
7	1	Holding frame	PBT	black
6	1	O-ring seal	Elastomer	red
5	2	Shell screw	Stainless steel	blank
4	1	Hood cap	PC+ABS	nickel plated
3	2	Holding cap	PEI	black
2	1	Hood	FWHyA / PC+ABS	nickel plated
1	1	Waterproof D-Sub Connector	FxxP-K700	

THIS DRAWING CONTAINS INFORMATION THAT IS PROPRIETARY TO MOLEX ELECTRONIC TECHNOLOGIES, LLC AND SHOULD NOT BE USED WITHOUT WRITTEN PERMISSION

SYMBOLS	DIMENSION UNITS	SCALE	MEASUREMENTS WITHOUT TOLERANCE ACC. TO ISO 2768-m	<b>molex</b>
▽ = 0 ▽ = 0 ▽ = 0 ▽ = 0 ▽ = 0 ▽ = 0 □ = 0 ■ = 0 ▽ = 0	mm	2:1		
CURRENT REVISION				PRODUCT CUSTOMER DRAWING
DRWN: DRAWN BY ameyerrichte 27-08-2019 APPR: APPR BY HStanisch 28-08-2019				
INITIAL REVISION				MATERIAL NUMBER
DRWN: DRAWN BY ameyerrichte 19-02-2016 APPR: APPR BY bwittek 22-02-2016				
REV. CH.-NO.				see table
REPLACEMENT FOR:				DOCUMENT NUMBER
THIRD ANGLE PROJECTION				FWHyA-xxP-3649
DRAWING				CUSTOMER
A3-SIZE				GENERAL MARKET
				REVISION
				4
				SHEET NUMBER
				1 OF 1

COMMENT: ALL RIGHTS ARE RESERVED BY US FOR THIS DRAWING. WITHOUT OUR PRIOR CONSENT, IT MAY NEITHER BE DUPLICATED NOR MADE AVAILABLE TO A THIRD PARTY. AND IT ALSO MAY NOT BE IMPROPERLY USED BY THE RECEIVER, OR A THIRD PARTY.