

NOTES

- △1 材料：TABLE 1 参照
MATERIAL：SEE TABLE 1
- △2 製品仕様書、アプリケーション仕様書、適合嵌合相手、適合ターミナルは下表を御参照下さい
PLEASE REFER TO BELOW TABLE FOR PRODUCT SPECIFICATION, APPLICATION SPECIFICATION, APPLY MATE PARTNER, APPLY TERMINAL.
- △3 偶数極に適合
APPLY FOR EVEN CIRCUIT
- 4. 本製品のプラスチック部に黒点・白点等が確認される場合や色合いが異なる場合がありますが、製品性能に影響はありません。
THERE IS NO INFLUENCE IN THE PRODUCT PERFORMANCE THOUGH THE BLACK AND WHITE SPOT ETC. MIGHT BE CONFIRMED TO THE PLASTIC PART OF THIS PRODUCT AND THE SHADE MIGHT BE DIFFERENT.
- △5 発注番号：下表参照
ORDER No.：PLEASE REFER TO BELOW TABLE.

208298 2 * * 1

極数
CIRCUIT SIZE

△2 適合製品及び各種仕様書
APPLICABLE PRODUCTS AND VARIOUS SPECIFICATIONS

適合圧着端子 APPLICABLE TERMINAL	PART NUMBER 2082995001	WIRE SIZE(AWG) #22 - #24
適合嵌合相手 MATE WITH	208294 SERIES	
製品仕様書 PRODUCT SPECIFICATION	2082980000-PS	
梱包仕様書 PACKAGING SPECIFICATION	2082989200-SPK	
アプリケーション仕様書 APPLICATION SPECIFICATION	2166940000-AS	

7.2	10.6	2082982051	5
5.4	8.8	2082982041	4
3.6	7	2082982031	3
1.8	5.2	2082982021	2
B	A	△5 オーダー番号 ORDER No. 梱包形態：ポリ袋 PACKAGING:POLYBAG	極数 CIRCUIT SIZE

製品嵌合図は嵌合相手図面参照のこと
MATING VIEW: REFER TO "MATE WITH" PART DRAWING.

△1 TABLE 1

部品 PART	材質 MATERIAL
ハウジング HOUSING	ポリアミド(PA)：ガラス充填,UL94V-0 色：黒 POLYAMIDE (PA)：GLASS-FILLED, UL94V-0, COLOR：BLACK

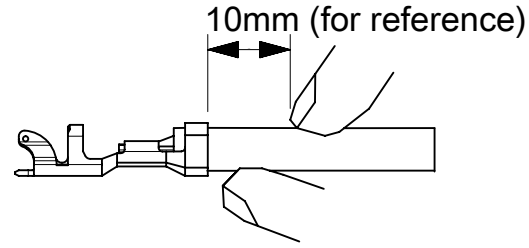
DOCUMENT STATUS	P1	RELEASE DATE	2023/01/30	08:43:11
-----------------	----	--------------	------------	----------

THIS DRAWING CONTAINS INFORMATION THAT IS PROPRIETARY TO MOLEX ELECTRONIC TECHNOLOGIES, LLC AND SHOULD NOT BE USED WITHOUT WRITTEN PERMISSION

DIMENSION UNITS mm	SCALE NTS	CURRENT REV DESC:		molex			
GENERAL TOLERANCES (UNLESS SPECIFIED)		EC NO: 736266					
ANGULAR TOL	± 3.0°	DRWN: SSHIMONISHI 2022/07/20		PRODUCT CUSTOMER DRAWING			
4 PLACES	±	CHK'D: AIDA 2023/01/30		DOCUMENT NUMBER			
3 PLACES	±	APPR: SAKIYAMA 2023/01/30		DOC TYPE			
2 PLACES	± 0.2	INITIAL REVISION:		DOC PART			
1 PLACE	± 0.2	DRWN: SSHIMONISHI 2022/07/20		REVISION			
0 PLACES	± 0.2	APPR: SAKIYAMA 2023/01/30		2082980000-SD			
DRAFT WHERE APPLICABLE MUST REMAIN WITHIN DIMENSIONS		THIRD ANGLE PROJECTION	DRAWING	SERIES	MATERIAL NUMBER	CUSTOMER	SHEET NUMBER
		⊗	A3-SIZE	208298	SEE CHART	GENERAL	1 OF 2

圧着端子挿入時の注意点 CAUTION WHEN INSERTING A CRIMP TERMINAL

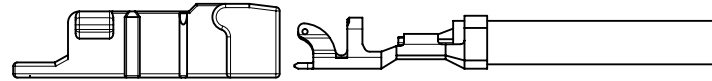
圧着端子から10mm離れた電線部を掴んでください。
HOLD THE CABLE ABOUT 10 MM AWAY FROM THE CRIMP TERMINAL BY GENTLY PICKING IT WITH YOUR FINGER.



製品機能を維持するため、圧着端子を下図斜め上方向に挿入しないで下さい。
TO MAINTAIN THE PRODUCT FUNCTION, DO NOT INSERT THE CRIMP TERMINAL DIAGONALLY UPWARD

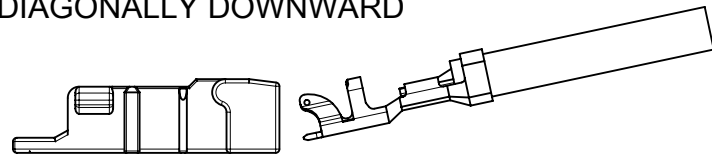
○ Good

水平方向
INSERT STRAIGHT



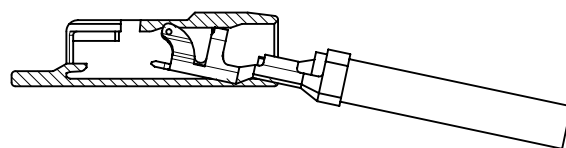
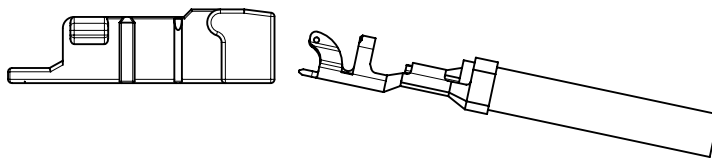
○ Good

斜め下方向
INSERT DIAGONALLY DOWNWARD



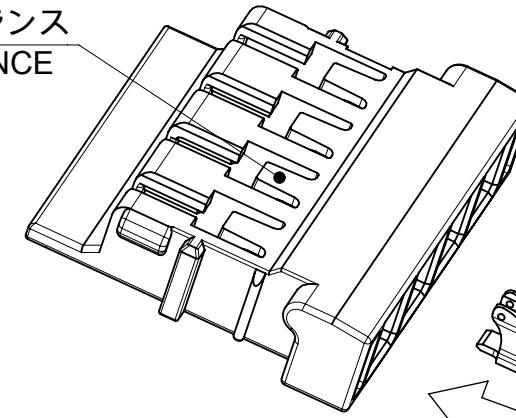
× Not good

斜め上方向
INSERT DIAGONALLY UPWARD

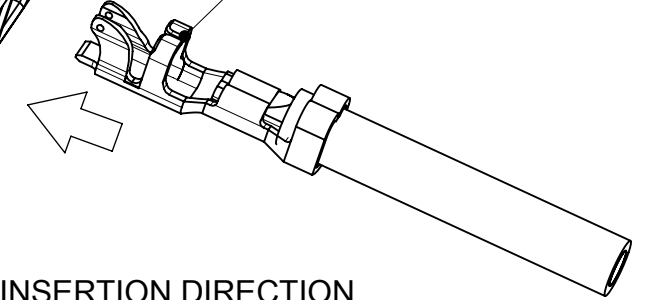


斜め上方向に圧着端子を挿入すると
モールドランスが破損する可能性があります。
IF THE CRIMP TERMINAL IS INSERTED DIAGONALLY UPWARD, THERE MIGHT BE POSSIBILITY OF THE MOLD LANCE DAMAGED.

モールドランス
MOLD LANCE

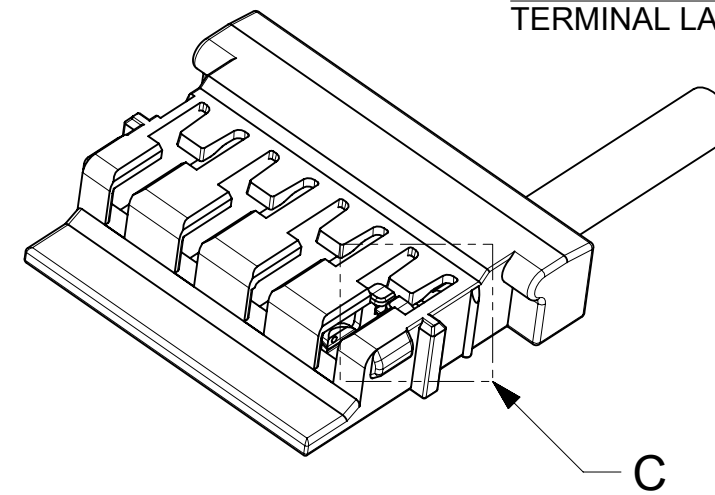


ランス係止部
TERMINAL LANCE

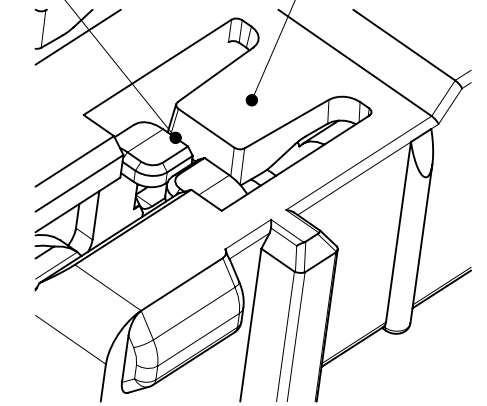


圧着端子挿入方向
CRIMP TERMINAL INSERTION DIRECTION

ランス係止部
TERMINAL LANCE



モールドランス
MOLD LANCE



圧着端子ランス係止部がハウジングのモールドランスに掛かっている事をご確認ください。
MAKE SURE THAT THE TERMINAL LANCE IS CAUGHT BY THE MOLD LANCE OF HOUSING

DETAIL C
SCALE 20:1

THIS DRAWING CONTAINS INFORMATION THAT IS PROPRIETARY TO MOLEX ELECTRONIC TECHNOLOGIES, LLC AND SHOULD NOT BE USED WITHOUT WRITTEN PERMISSION		CURRENT REV DESC:		molex	
DIMENSION UNITS	SCALE				
mm	NTS			PICO-EZMATE HC 1.8 WTB REC HOUSING	
GENERAL TOLERANCES (UNLESS SPECIFIED)				PRODUCT CUSTOMER DRAWING	
ANGULAR TOL	± 3.0 °			DOCUMENT NUMBER	
4 PLACES	±	EC NO: 736266	2022/07/20	2082980000-SD	
3 PLACES	±	DRWN: SSHIMONISHI	2023/01/30	DOC TYPE	DOC PART
2 PLACES	± 0.2	CHK'D: AIDA	2023/01/30	PSD	000
1 PLACE	± 0.2	APPR: SAKIYAMA	2023/01/30	REVISION	
0 PLACES	± 0.2	INITIAL REVISION:		A	
DRAFT WHERE APPLICABLE MUST REMAIN WITHIN DIMENSIONS		THIRD ANGLE PROJECTION	DRAWING	SERIES	MATERIAL NUMBER
			A3-SIZE	208298	CUSTOMER
					GENERAL
					SHEET NUMBER
					2 OF 2