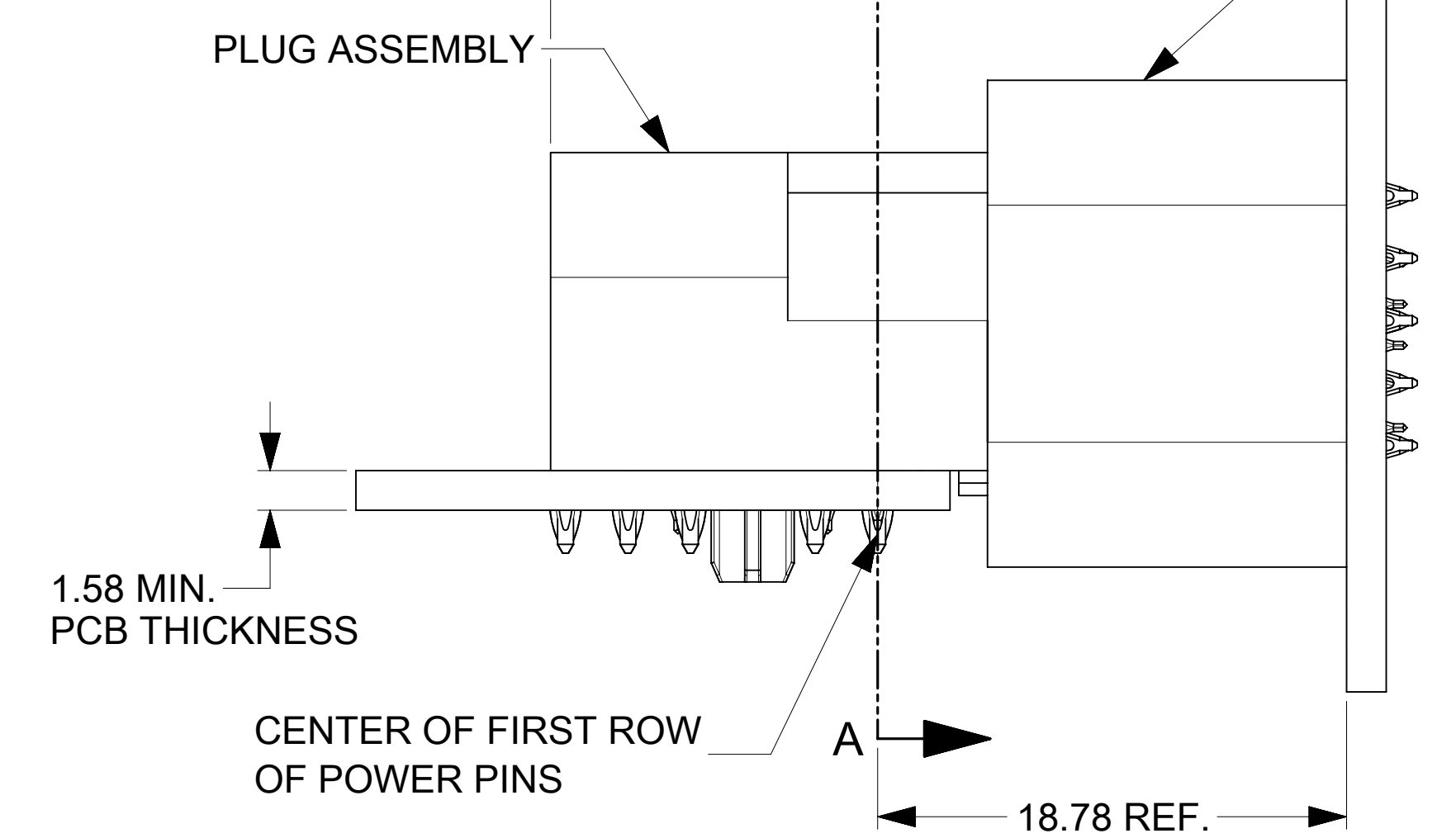


ALLOW EXTRA SPACE
4.00 mm PER SIDE
(REQUIRES FOR REWORK)

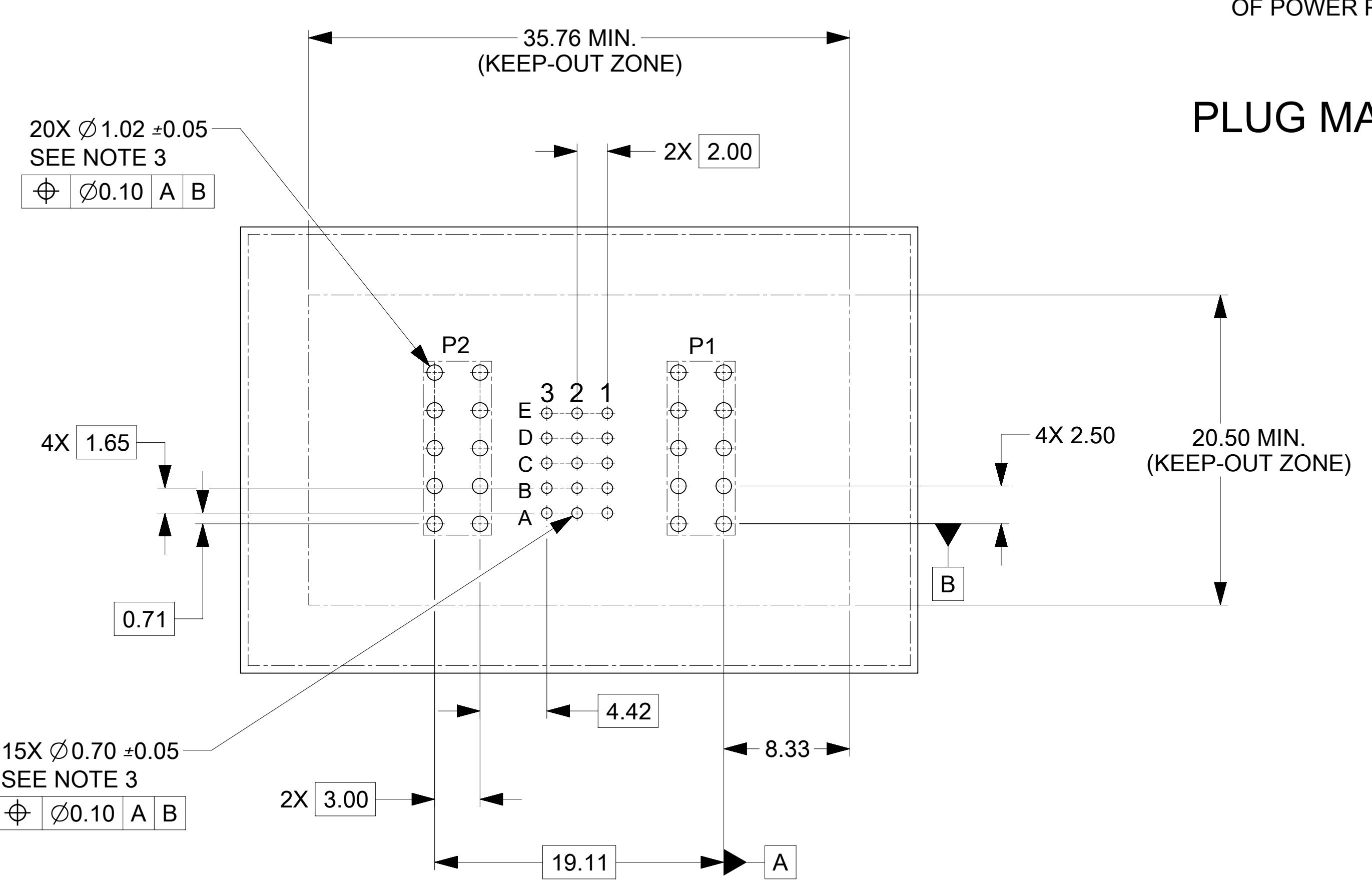
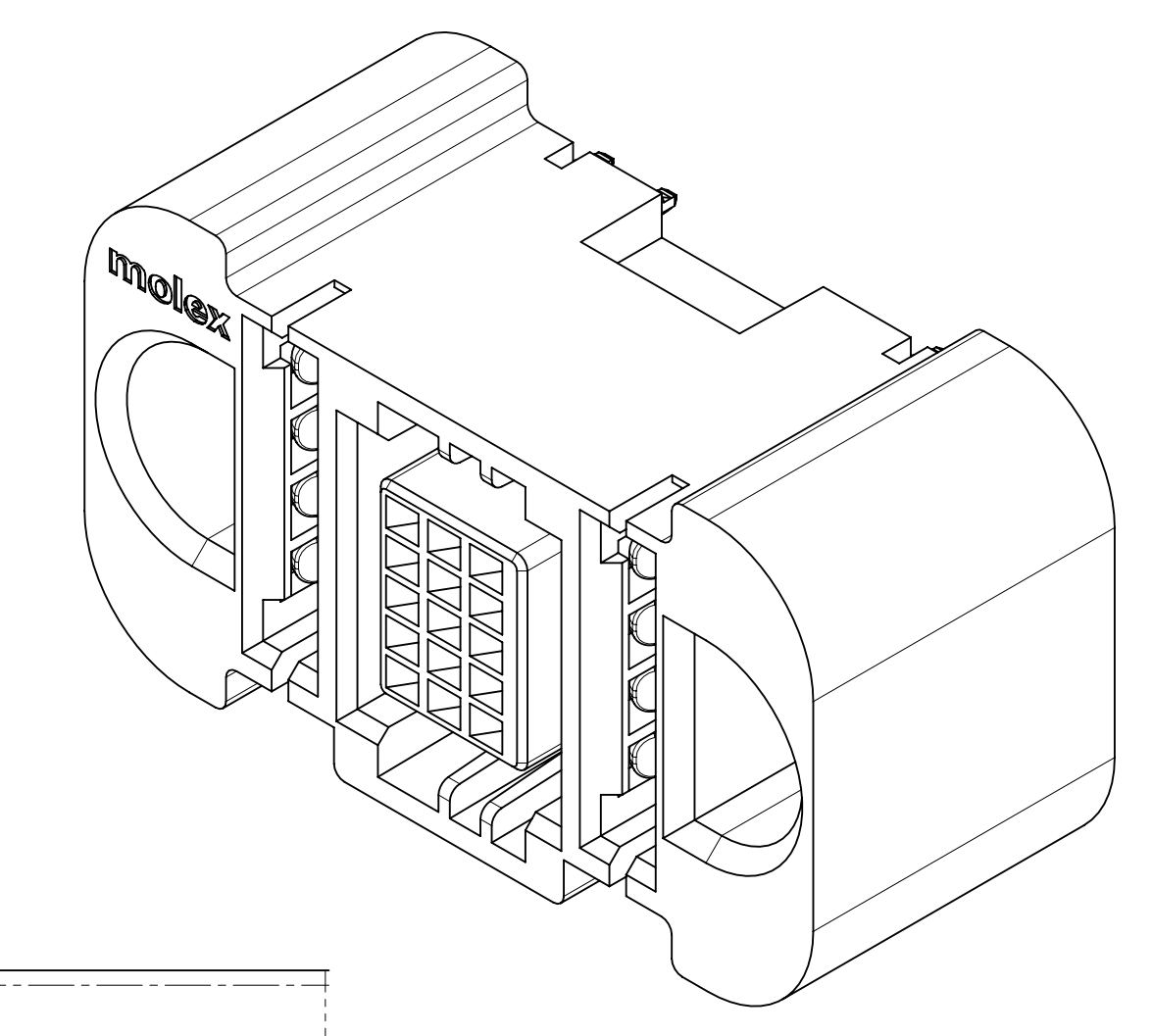


VERTICAL RECEPTACLE
PCB SIDE

VERTICAL RECEPTACLE
ASSEMBLY

PLUG
PCB SIDE

SECTION A-A
(POWER CKTS ARE ALIGNED)



PLUG MATED TO VERTICAL RECEPTACLE MATED PROFILE

- NOTES:
- MATERIAL:
 - HOUSINGS: LCP UL94, V-0, COLOR : BLACK
 - TERMINALS: HIGH CONDUCTIVITY COPPER ALLOY
 - PLATING: 1.27 µm (50 µin) NICKEL OVERALL WITH
2.54 µm (100 µin) SELECTIVE TIN ON TAILS AND
0.762 µm (30 µin) SELECTIVE GOLD ON CONTACT AREA
 - PACKAGING: ASSEMBLIES TO BE TRAY PACKED PER PACKAGING SPEC: 2141140001-PK .
 - PLATED THRU HOLE SIZE, REFER TO PRODUCT SPEC. FOR DETAILS.
 - PRODUCT SPEC: 2141130000-PS.
 - PRODUCT TO MEET RoHS REQUIREMENTS.
 - VERTICAL ASSEMBLY MATES TO MOLEX PLUG 2141130011-SD, SEE DRAWING FOR DETAILS.
 - TAIL DESIGN: COMPLIANT PIN.
 - POWER TERMINALS AND SIGNALS ARE LUBRICATED.
 - APPLICATION SPECIFICATION: 2141130000-AS (FOR COMPLIANT TAILS ONLY).

RECOMMENDED PCB LAYOUT AND KEEP-OUT ZONE

SYMBOLS		THIS DRAWING CONTAINS INFORMATION THAT IS PROPRIETARY TO MOLEX ELECTRONIC TECHNOLOGIES, LLC AND SHOULD NOT BE USED WITHOUT WRITTEN PERMISSION		CURRENT REV DESC:		molex	
▽ = 0	DIMENSION UNITS	SCALE	mm 4:1				
▽ = 0	GENERAL TOLERANCES (UNLESS SPECIFIED)		EC NO: 636917			PRODUCT CUSTOMER DRAWING	
▽ = 0	ANGULAR TOL	± °	DRWN: LZABJANOVSKI 2020/05/01			DOCUMENT NUMBER	
▽ = 0	4 PLACES	±	CHK'D: BPISZCZOR 2020/06/18			DOC TYPE DOC PART REVISION	
▽ = 0	3 PLACES	±	APPR: BPISZCZOR 2020/06/18			2141140002-SD PSD 000 B	
▽ = 0	2 PLACES	± 0.25	INITIAL REVISION:			MATERIAL NUMBER	
▽ = 0	1 PLACE	± 0.3	DRWN: RMV02 2020/02/07			CUSTOMER	
▽ = 0	0 PLACES	±	APPR: BPISZCZOR 2020/04/22			SHEET NUMBER	
■ = 0	DRAFT WHERE APPLICABLE MUST REMAIN WITHIN DIMENSIONS		THIRD ANGLE PROJECTION	DRAWING	SERIES	1 OF 1	
▽ = 0			⊕	D-SIZE	214114	2141140002	