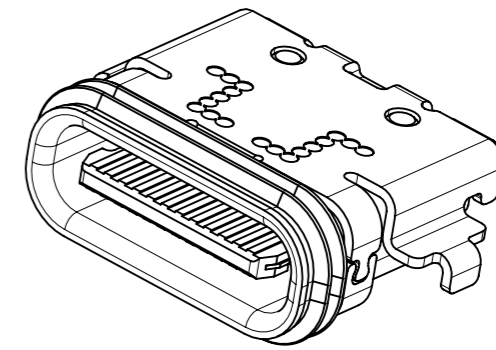
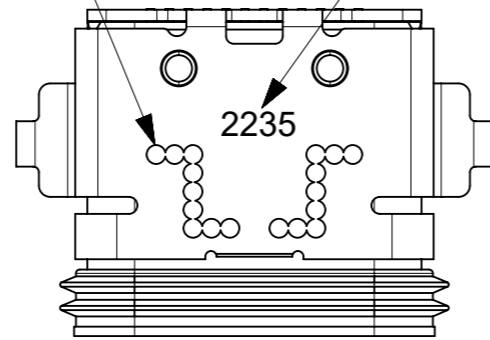
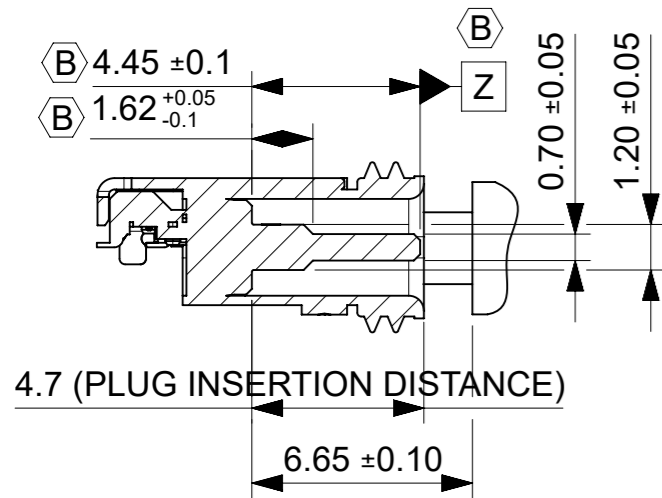
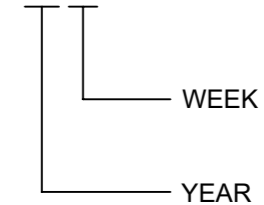


LASER WELDING MARK D/C LOCATION

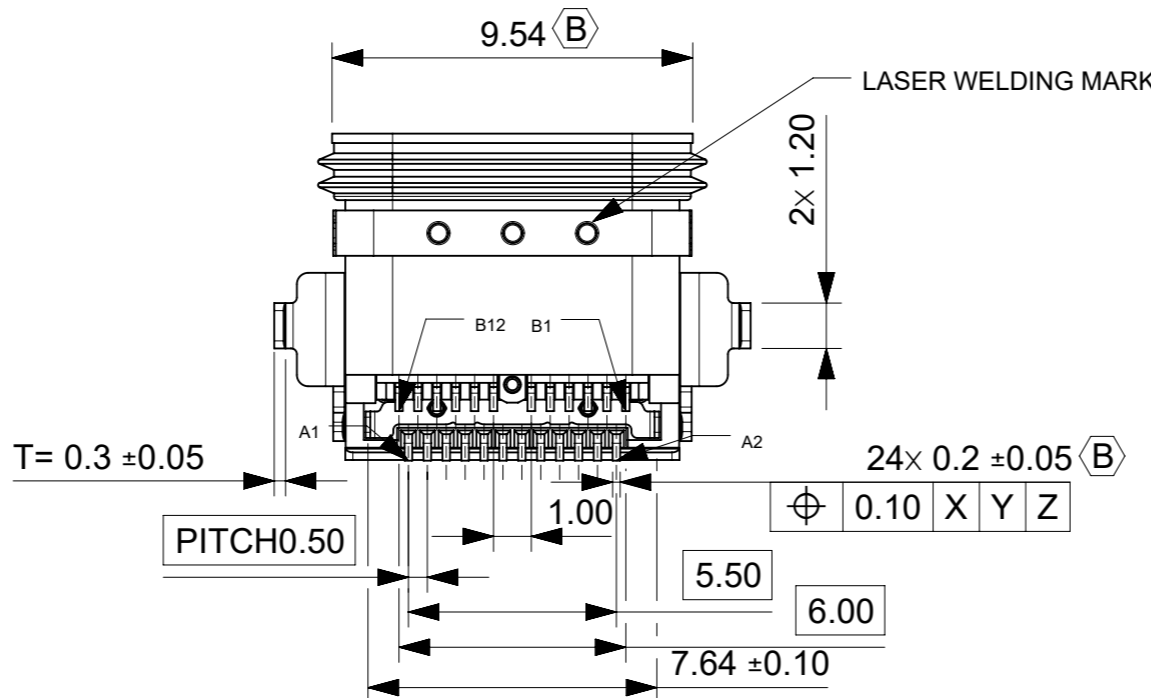
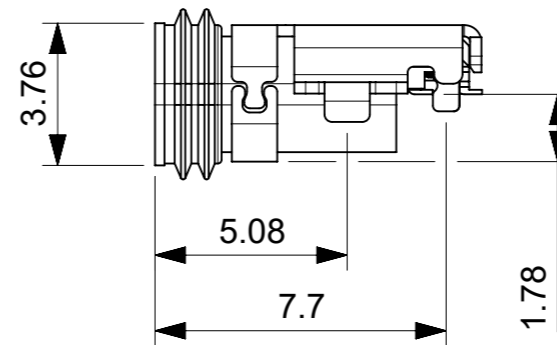
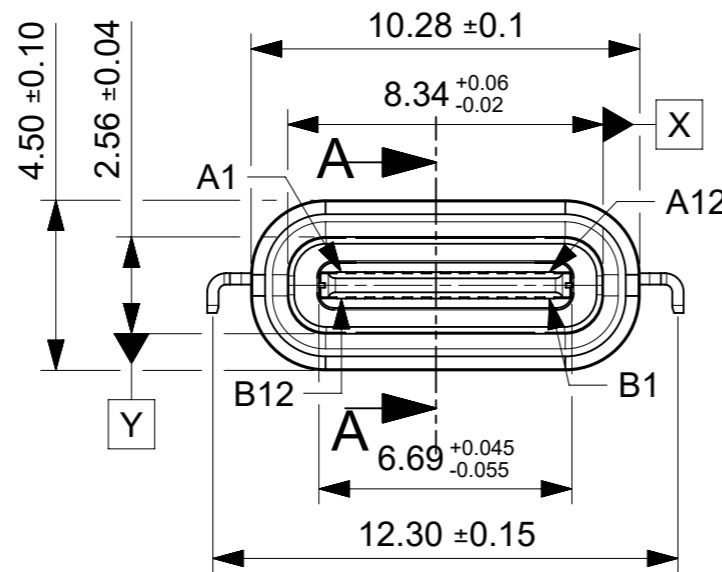
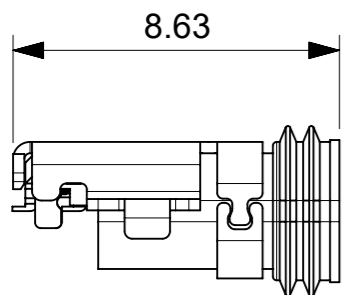


ASSEMBLY 3D

- NOTES:
- MATERIAL SPECIFICATION:
 - INSULATOR : HIGH TEMPERATURE THERMOPLASTIC
UL94 V-0 COLOUR: BLACK
 - CONTACTS: COPPER ALLOY
 - MID PLATED: STAINLESS STEEL
 - SHELL: STAINLESS STEEL
 - PLATING SPECIFICATION:
 - CONTACTS:
 - NI 50-120u" MIN UNDERPLATED OVER ALL.
 - Au 30u" PLATED ON CONTACT AREA ,
 - Au 1u" MIN ON SOLDER AREA.
 - MID PLATED: NI 50-120u" MIN PLATED OVER ALL.
 - SHELL: NI 50-120 u" MIN PLATED OVER ALL.
 - PRODUCT SPEC REFER TO PS-214068-001
 - PACKAGE SPEC REFER TO 2216320001
 - PRODUCT COMPLANT TO ROHS DIRECTIVE 2011/65/EU
 - WATERPROOF: WATERPROOF MEET THE REQUIREMENTS OF IPX7
 - PLEASE CONTACT YOUR SALES REPRESENTATIVE IF INTENDED FOR AUTOMOTIVE
 - DATE CODE: ****

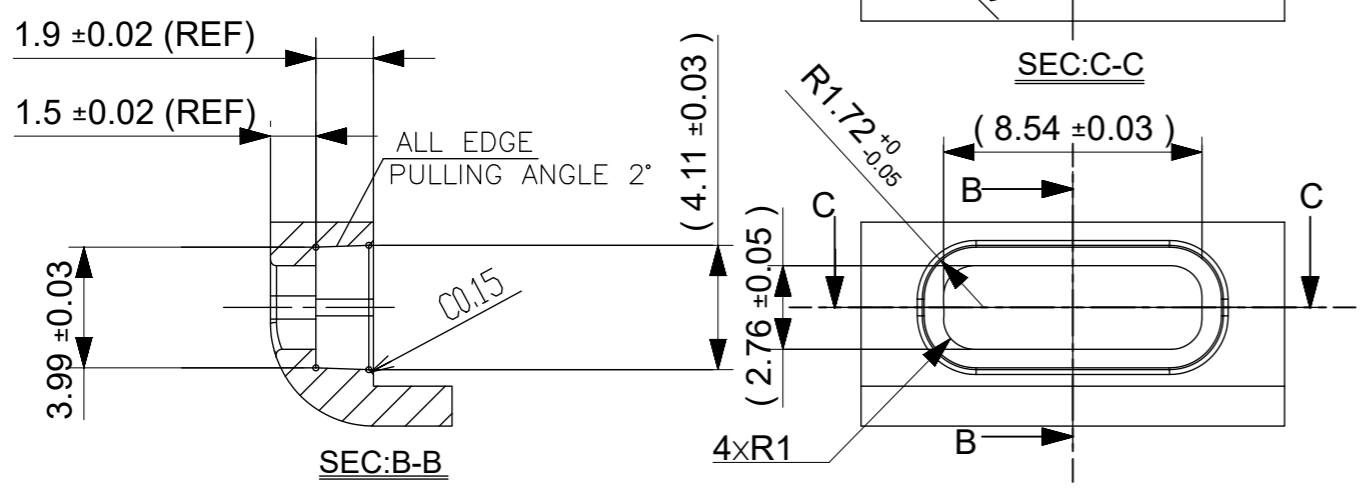


SECTION A-A

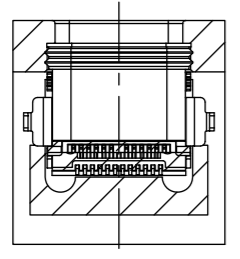
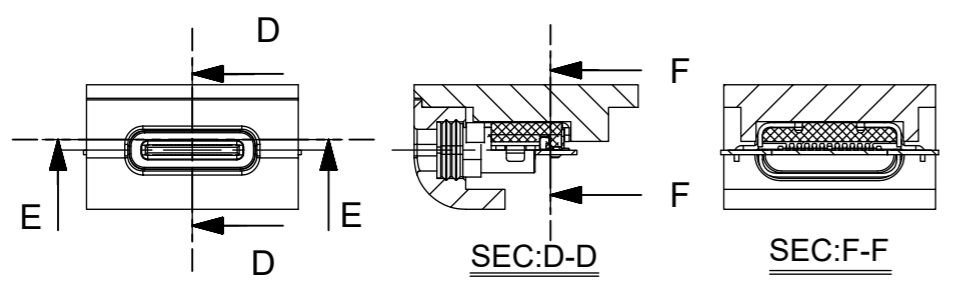


FUNCTIONAL SYMBOLS	THIS DRAWING CONTAINS INFORMATION THAT IS PROPRIETARY TO MOLEX ELECTRONIC TECHNOLOGIES, LLC AND SHOULD NOT BE USED WITHOUT WRITTEN PERMISSION		CURRENT REV DESC: ADJUST TOLERANCE			
	THIS DRAWING DIMENSION UNITS	SCALE				
▽/A = 0	mm	5:1			USB TYPE C RECEPTACLE 24PIN IPX7	
▽/E = 0	GENERAL TOLERANCES (UNLESS SPECIFIED)				PRODUCT CUSTOMER DRAWING	
▽/V = 0	ANGULAR TOL ± 3.0°				DOCUMENT NUMBER	
DIVISIONAL SYMBOLS	4 PLACES ±		EC NO: 740234	2023/02/17	DOC TYPE	DOC PART
	3 PLACES ± 0.1		DRWN: DARIEY	2023/03/17	PSD	000
	2 PLACES ± 0.2		CHK'D: RLI09	2023/03/17	REVISION	
	1 PLACE ± 0.3		APPR: RLI09		B	
	0 PLACES ±		INITIAL REVISION:		SHEET NUMBER	
			DRWN: DARIEY	2022/12/09	2216320001	
			APPR: RLI09	2023/01/30	2216320001	
	DRAFT WHERE APPLICABLE MUST REMAIN WITHIN DIMENSIONS	THIRD ANGLE PROJECTION	DRAWING	SERIES	MATERIAL NUMBER	CUSTOMER
			A3-SIZE	221632	2216320001	GENERAL MARKET
						1 OF 2

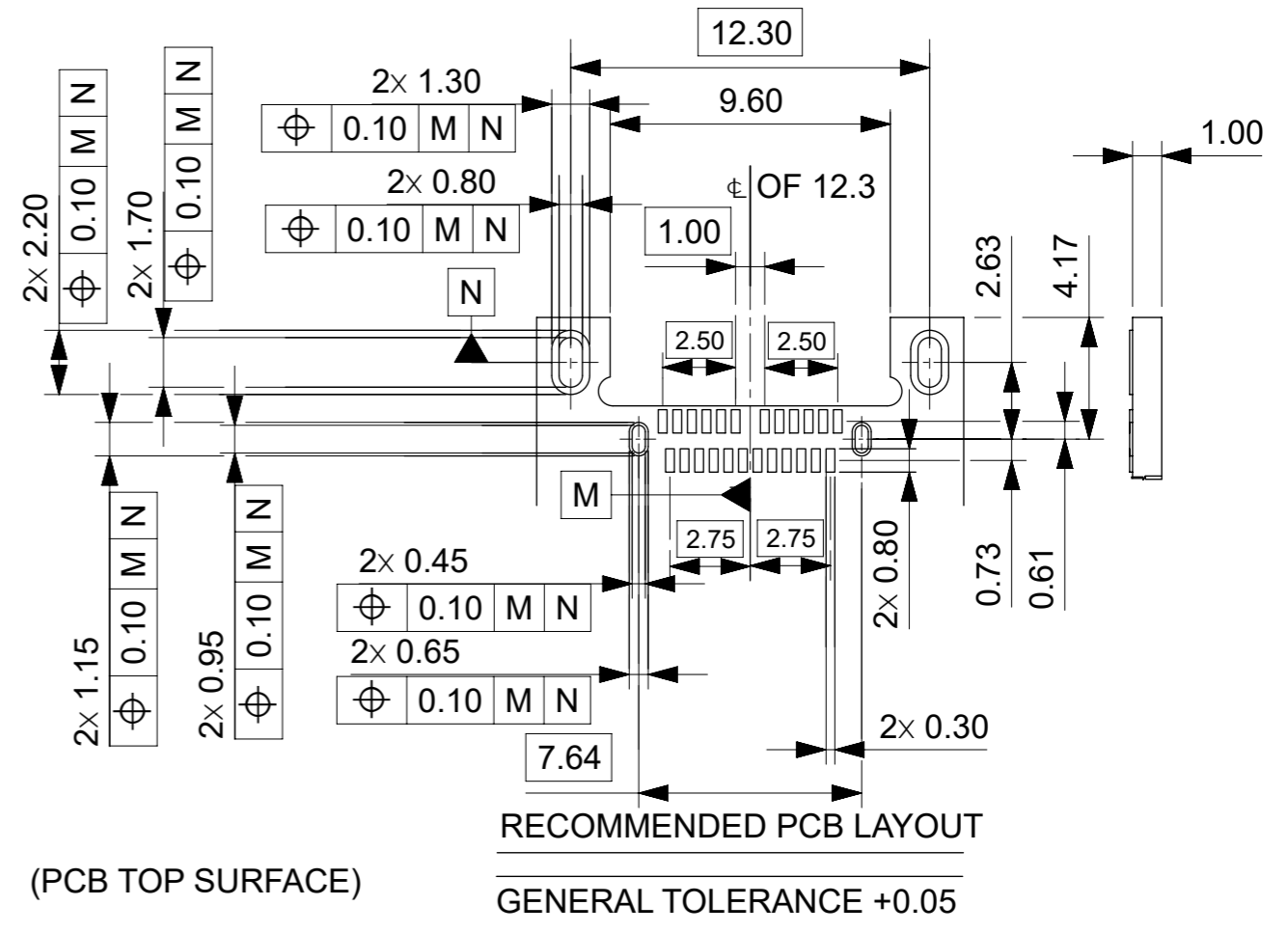
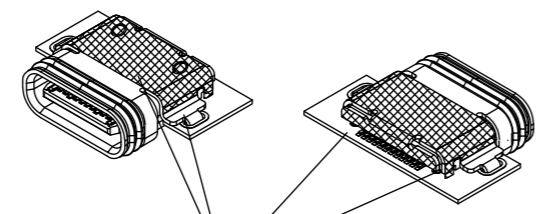
Recommended assembly size



Recommended usage



Please hold surface



USB Type-C Pin Assignments

Pin Number	Signal Name	Pin Number	Signal Name
A1	GND	B12	GND
A2	SSTXp1	B11	SSRXp1
A3	SSTXn1	B10	SSRXn1
A4	Vbus	B9	Vbus
A5	CC1	B8	SBU2
A6	Dp1	B7	Dn2
A7	Dn1	B6	Dp2
A8	SBU1	B5	CC2
A9	Vbus	B4	Vbus
A10	SSRXn2	B3	SSTXn2
A11	SSRXp2	B2	SSTXp2
A12	GND	B1	GND

FUNCTIONAL SYMBOLS $\nabla_A = 0$ $\nabla_E = 0$ $\nabla_V = 0$	THIS DRAWING CONTAINS INFORMATION THAT IS PROPRIETARY TO MOLEX ELECTRONIC TECHNOLOGIES, LLC AND SHOULD NOT BE USED WITHOUT WRITTEN PERMISSION	CURRENT REV DESC: ADJUST TOLERANCE				
	DIMENSION UNITS: mm	SCALE: 1:1	USB TYPE C RECEPTACLE 24PIN IPX7			
	GENERAL TOLERANCES (UNLESS SPECIFIED)	EC NO: 740234		PRODUCT CUSTOMER DRAWING		
	ANGULAR TOL ± 3.0°	DRWN: DARIEY 2023/02/17		DOCUMENT NUMBER: 2216320001		
4 PLACES ±	CHK'D: RL109 2023/03/17		DOC TYPE: PSD			
3 PLACES ± 0.1	APPR: RL109 2023/03/17		DOC PART: 000			
2 PLACES ± 0.2	INITIAL REVISION:		REVISION: B			
1 PLACE ± 0.3	DRWN: DARIEY 2022/12/09		SHEET NUMBER: 2 OF 2			
0 PLACES ±	APPR: RL109 2023/01/30		SERIES: 221632			
DRAFT WHERE APPLICABLE MUST REMAIN WITHIN DIMENSIONS	THIRD ANGLE PROJECTION	DRAWING: A3-SIZE	SERIES: 221632	MATERIAL NUMBER: 2216320001	CUSTOMER: GENERAL MARKET	