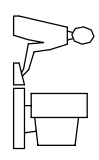
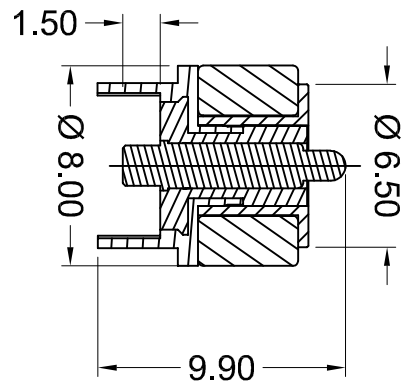
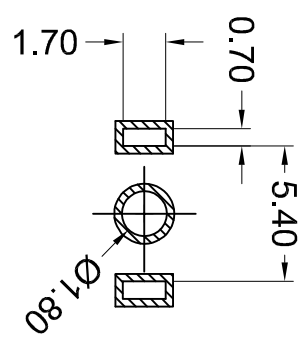
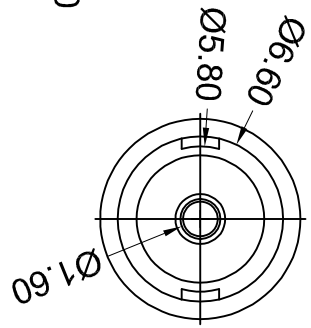
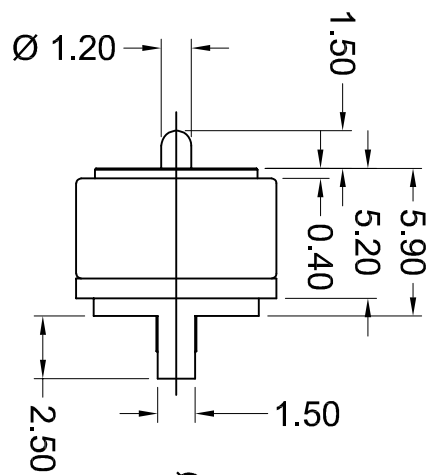
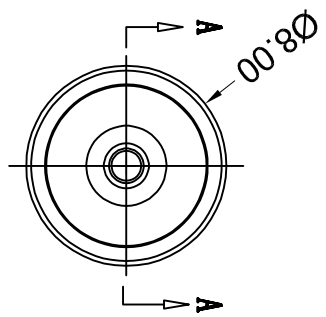


TOLERANCE UNLESS OTHERWISE SPECIFIED	
.X	±0.15
.XX	±0.10

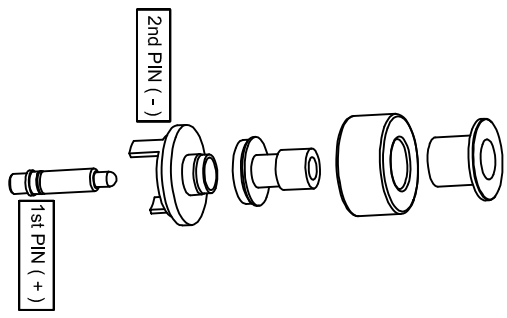
THIS IS A C.A.D. GENERATED DRAWING  
DO NOT MAKE MANUAL REVISIONS TO MASTER.



ISSUE NUMBER	1
ORIGINAL	



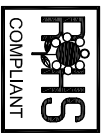
SECTION A-A



- SPECIFICATION:**
- 1.0 PLATING:**
- 1) POWER PIN: H59, 5µ"Au OVER 50 - 120µ" Ni
  - 2) HOUSING: PA46, BLACK
  - 3) MAGNET: N52
- 2.0 VOLTAGE RATING: 12V
- 3.0 CURRENT RATING: 2A
- 4.0 INSULATION RESISTANCE: 100MOHM MIN
- 5.0 DIELECTRIC WITHSTANDING VOLTAGE: 100V AT 60HZ
- 6.0 CONTACT RESISTANCE: 30 MOHM MAX BEFORE TEST AND 60MOHM AFTER TEST AT POGOPIN WORKING STROKE
- 7.0 RECOMMENDED WORKING STROKE & FORCE:  
STROKE 1.1mm (PER CONTACT): 80±20gf
- 8.0 MECHANICAL LIFE: 10,000 CYCLES MIN
- 9.0 WORKING TEMPERATURE RANGE: -30°C TO +85°C
- 10.0 MAGNET GAUSE VALUE: 2400±200GS

POGO CONNECTOR, 2 POS, MALE

ACAD REFERENCE NO.: 685-00221201111		UNIT: MM
DRAWN: E.S.	DATE: JUN.16/2022	
CHECKED: R.S.M.	DATE: JUN.16/2022	
SCALE: (IN C.A.D. 1:1)	SHEET 1 OF 1	ISSUE 1
DRAWING NUMBER: 685-00221201111		
PART NUMBER: 685-00221201111		



THIS SERIES FULLY CONFORMS TO  
THE EUROPEAN UNION DIRECTIVES  
2011/65/EU FOR ROHS COMPLIANCY.



EDAC INC  
TORONTO, ONTARIO  
CANADA

THESE DRAWINGS AND SPECIFICATIONS  
ARE THE PROPERTY OF EDAC INC. AND  
SHALL NOT BE REPRODUCED OR COPIED  
OR USED AS THE BASIS FOR THE  
MANUFACTURE OR SALE OF APPARATUS  
WITHOUT WRITTEN PERMISSION.

YOUR CONNECTION TO QUALITY & SERVICE