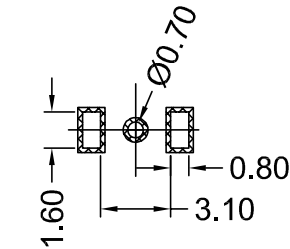
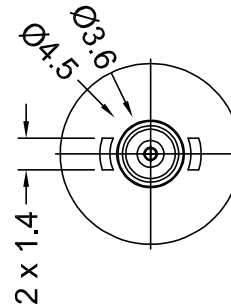
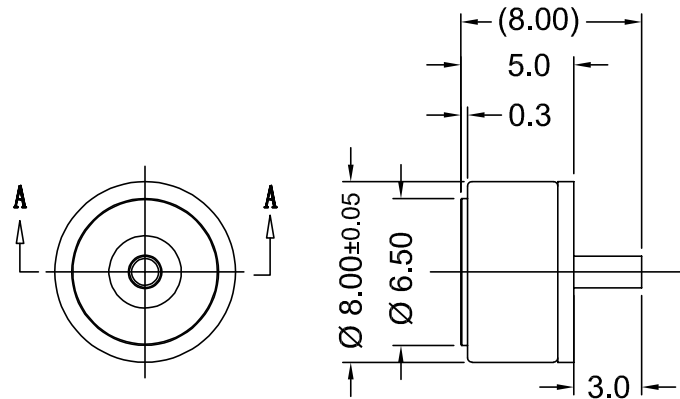


TOLERANCE UNLESS OTHERWISE SPECIFIED	
.X	±0.15
.XX	±0.10

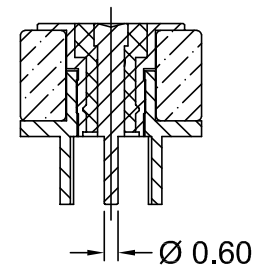
THIS IS A C.A.D. GENERATED DRAWING
DO NOT MAKE MANUAL REVISIONS TO MASTER.



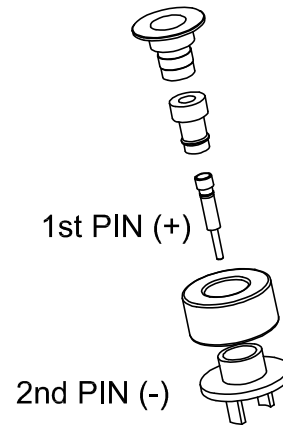
ISSUE NUMBER	①
ORIGINAL	



PCB LAYOUT
TOLERANCE: ±0.05



SECTION A - A



SPECIFICATION:

- PLATING:
 - POWER PIN: H59, 5μ" Au OVER 50-120μ" Ni
 - HOUSING: PA46, BLACK
 - MAGNET: N52
- VOLTAGE RATING: 12V
- CURRENT RATING: 2A
- INSULATION RESISTANCE: 100MOHM MIN
- DIELECTRIC WITHSTANDING VOLTAGE: 100V AT 60HZ
- CONTACT RESISTANCE: 30mOHM MAX BEFORE TEST AND 60m OHM MAX AFTER TEST AT POGO PIN WORKING STROKE
- RECOMMENDED WORKING STROKE & FORCE:

STROKE 1.1mm (PER CONTACT): 80±20gF
- MECHANICAL LIFE: 10,000 CYCLES MIN
- WORKING TEMPERATURE RANGE: -30°C TO +85°C
- MAGNET GAUSE VALUE: 2400 ±200GS

POGO CONNECTOR, 2 POS, FEMALE	ACAD REFERENCE NO.: 686-00221200111	UNIT: MM
	DRAWN: E.S	DATE: JUN.17/2022
	CHECKED: J.L.	DATE: AUG.04/2022
	SCALE: (IN C.A.D. 1:1)	SHEET 1 OF 1
	DRAWING NUMBER: 686-00221200111	ISSUE
	PART NUMBER: 686-00221200111	1



THIS SERIES FULLY CONFORMS TO
THE EUROPEAN UNION DIRECTIVES
2011/65/EU FOR RoHS COMPLIANCY.



EDAC INC
TORONTO, ONTARIO
CANADA
YOUR CONNECTION TO QUALITY & SERVICE

THESE DRAWINGS AND SPECIFICATIONS
ARE THE PROPERTY OF EDAC INC., AND
SHALL NOT BE REPRODUCED, OR COPIED
OR USED AS THE BASIS FOR THE
MANUFACTURE OR SALE OF APPARATUS
WITHOUT WRITTEN PERMISSION.