

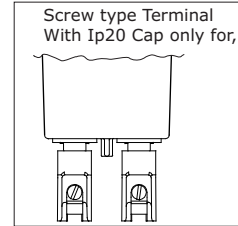
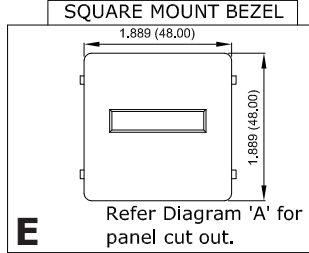
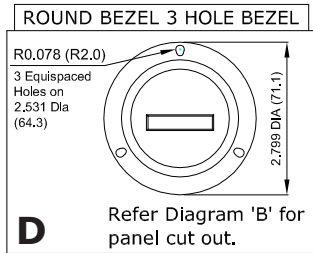
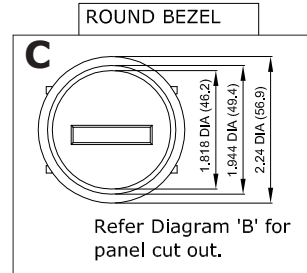
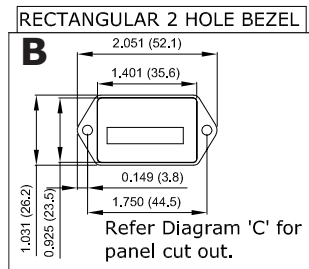
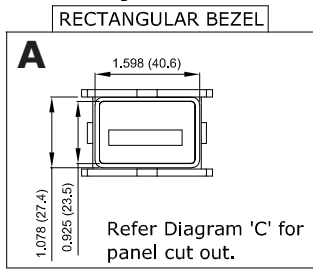


Hours Run Meters

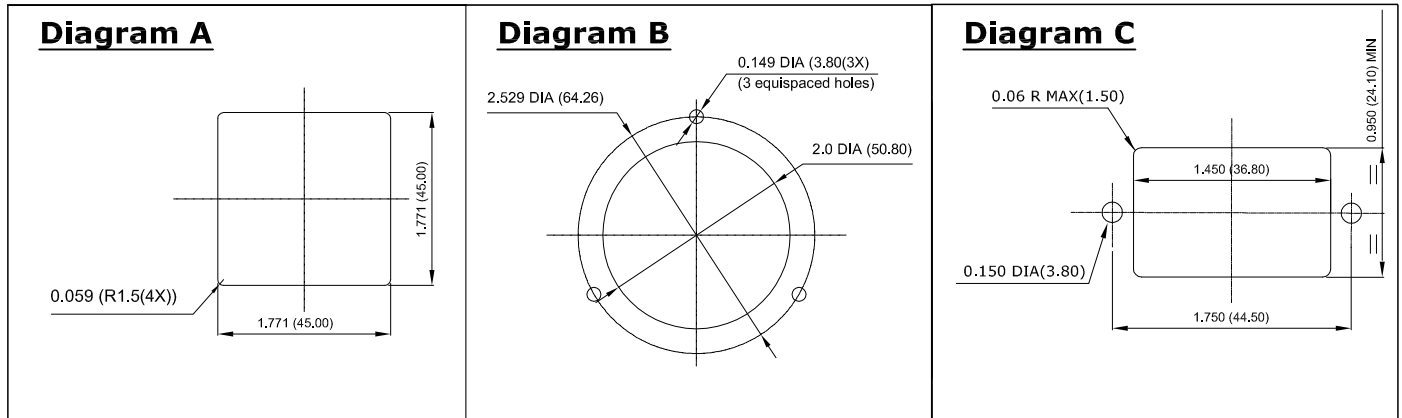
Bezel styles:

RS Stock No's

- A** Rectangular Bezel: 896-6905, 896-6914,
- B** Rectangular 2 hole bezel: 896-6927, 896-6936, 896-6923
- C** Round Bezel: 896-6933, 896-6939, 896-6942
- D** Round 3 hole Bezel: 896-6917, 896-6911, 896-6920
- E** Square Bezel: 896-6894, 896-6898

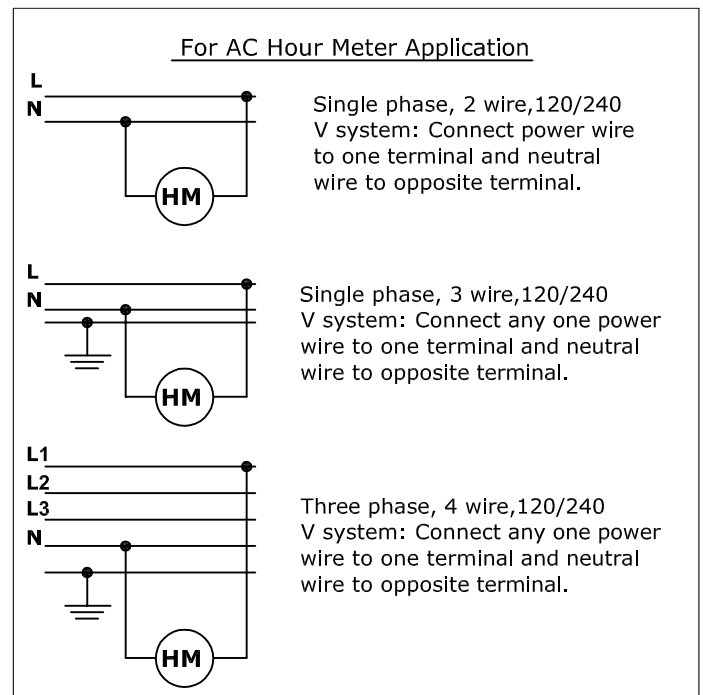
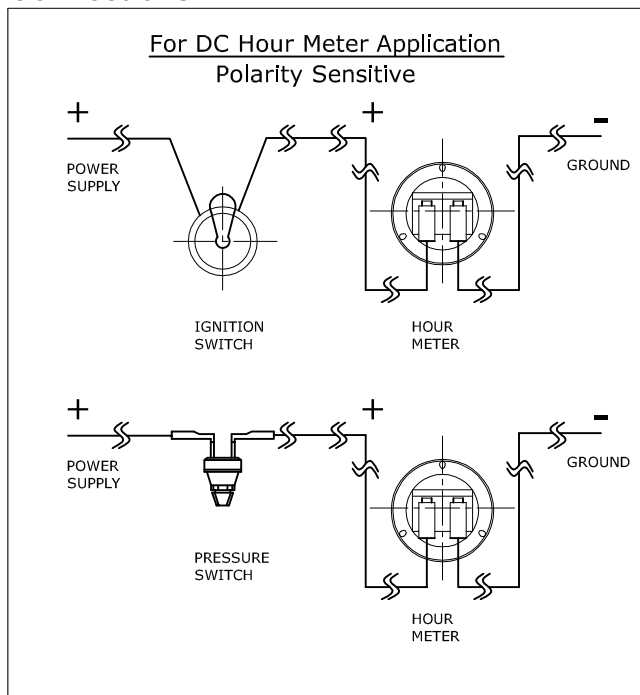


Panel cutout :



Max. Panel Thickness; 1.129 (0.76) to 0.401 (10.20)
 Panel Cut-out dimensions - Tolerance +/- 0.010 (0.30)
 All Dimensions are in inches, Values in () = mm

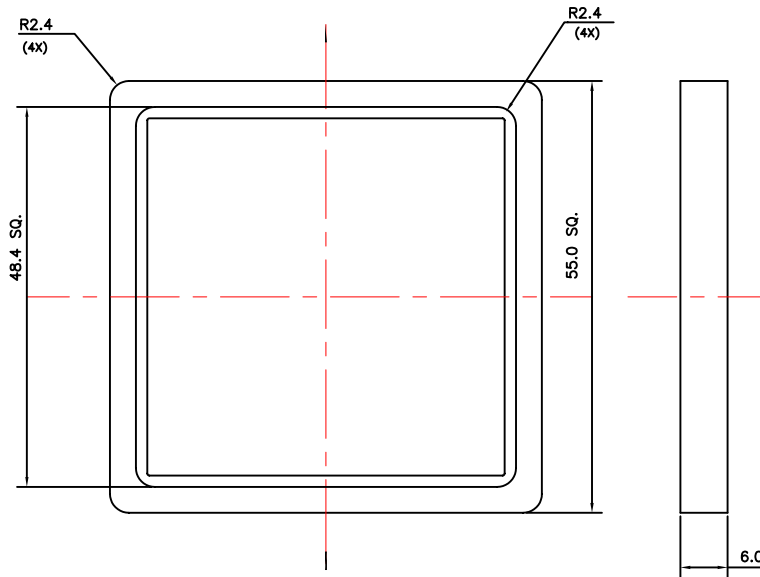
Connections:



CAUTION : 1) Screw to be tightened with flat head screwdriver with tip size 4.3 x 0.6 mm.

MOUNTING FRAME 896-6908

55x55mm Bezel for 896-6894 and 896-6898



MOUNTING FRAME 896-6901

72x72mm Bezel for 896-6894 and 896-6898

