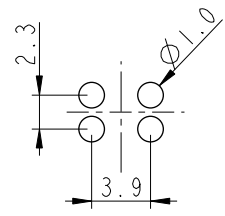
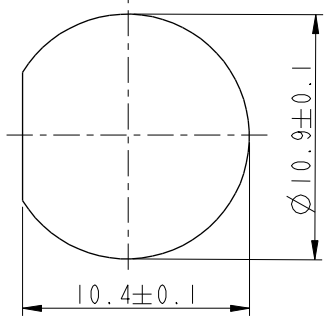


THIS DOCUMENT IS SUBJECT TO CHANGE WITHOUT NOTICE. IT IS CONFIDENTIAL AND A PROPERTY OF AMPHENOL LTW. DISCLOSURE TO THIRD PARTY HAS TO BE AUTHORIZED BY AMPHENOL LTW.

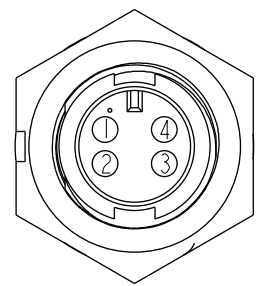
REV.	ECN NO.	DATE	SIGN	DESCRIPTION
C	LEN-8A0142	2008/09/15	Shin	Add Notes
D	LEN1530181	2014/12/17	Ruru	Change Logo
E	CI90268	2019/02/18	Ruru	Modify Note



PCB Layout

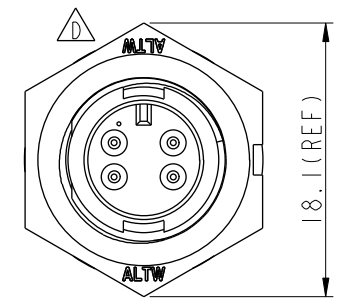
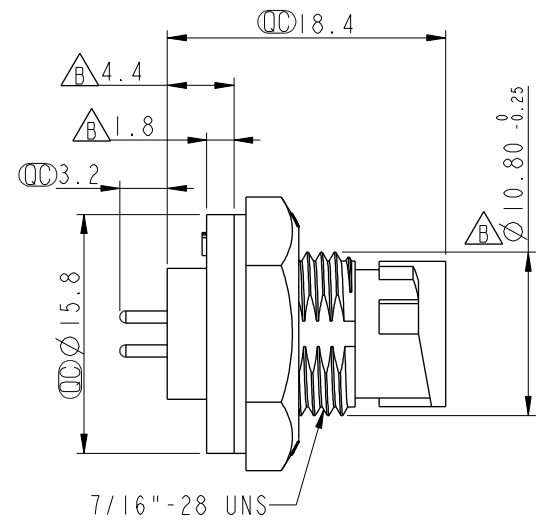
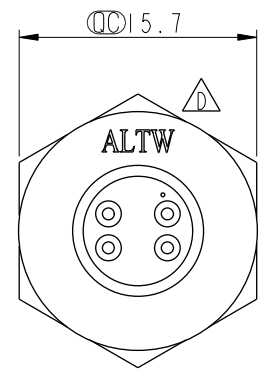


Recommended Panel Cut-Out

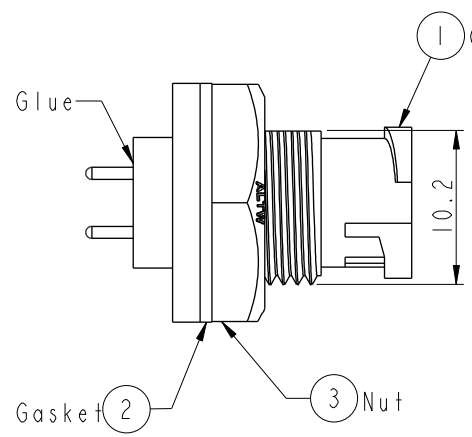


Pin Assignments Front View

△ B



With Liquid Glue



Note: △ E

- * ∅ Important Dimension.
- * Waterproof Rate: IP67, Unmated
- * Housing: Thermoplastic, Black
- * Pin: Copper Alloy, Gold Plated
- * Nut: Thermoplastic, Black
- * Gasket: Rubber, Black
- △ * Use with waterproof cap or dust cap
Panel Thickness max: 2.5mm
- △ * Use without waterproof cap or dust cap
Panel Thickness max: 3.5mm
- * Gasket and Nut are packed separately in PE bags.



UNIT:mm	TITLE Mini Panel Lock 4Pin M Conn. M Pin			ITEM NO AU-04PMMP-LC7001		DRAWN BY Ruru		DATE 2019-02-18			
	TOLERANCE .X ±0.25 .XX ±0.1 .XXX ±0.05 ANGLES ±1°			SCALE 2:1		DWG NO AU-04PMMP-LC7001		CHECKED BY Rita		DATE 2019-02-18	
	SIZE A4			SHEET 1 OF 1		CUSTOMER ALTW		APPROVED BY Max		DATE 2019-02-18	
	REV. E			WC-REV. A.2		∅∅: Inspection item					

Amphenol LTW
安費諾亮泰企業股份有限公司