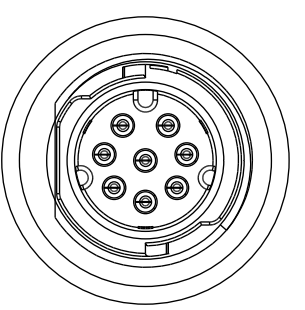
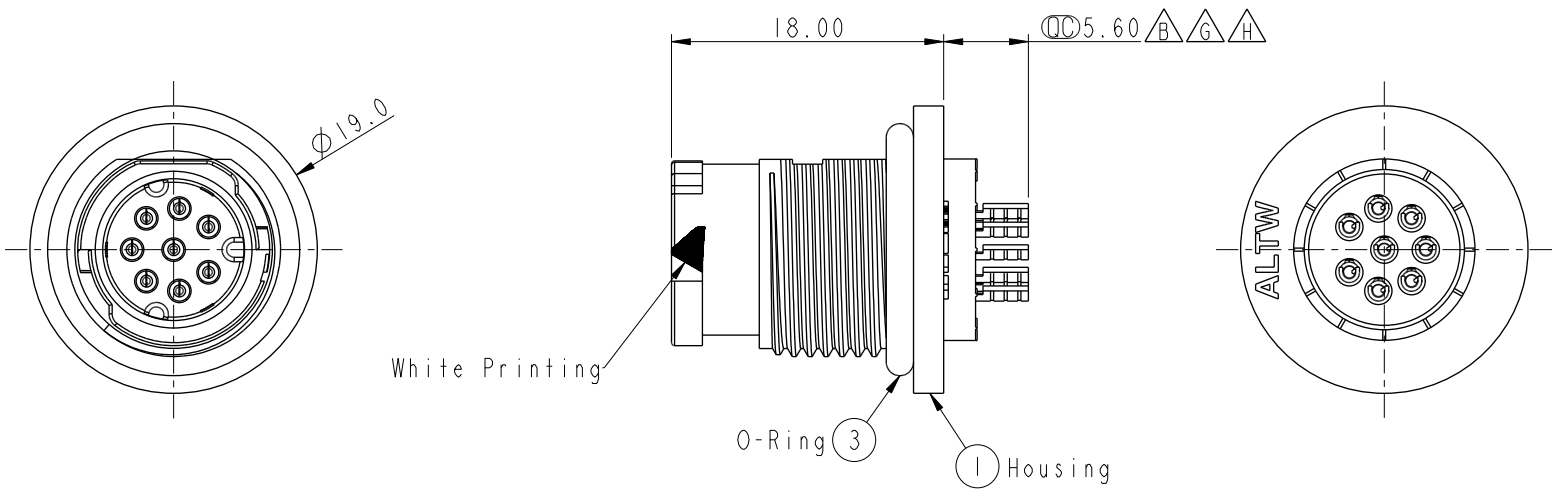
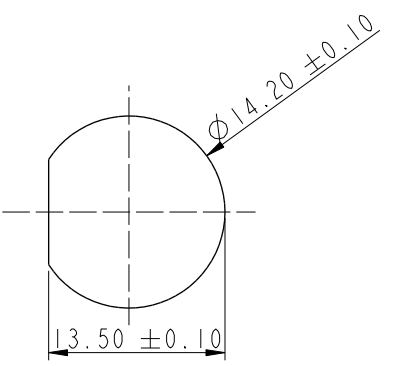


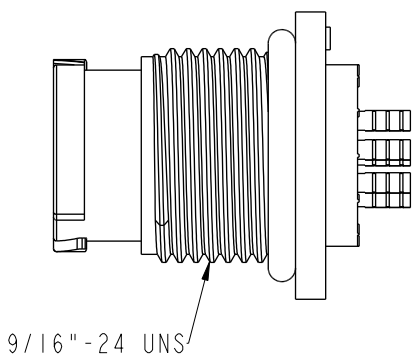
REV.	ECN NO.	DATE	SIGN	DESCRIPTION
G	C200351	2020/03/25	Allen Pan	$\triangle G$ x7
H	C201393	2020/09/10	Allen Pan	$\triangle H$ x1
I	C202067	2020/12/31	Allen Pan	$\triangle I$ x1



Pin Assignments
Front View



Recommended Panel Cut-out



9/16"-24 UNS

- $\triangle D$ $\triangle F$ Note:
- * CC Important Dimension To Check.
 - * Waterproof Rate: IP68, Unmated.
In 1 meter water within 24 hours
 - * Housing: Thermoplastic, Black.
 - * Pin: Copper Alloy, Gold Plated.
 - * Nut: Thermoplastic, Black.
 - $\triangle I$ * O-Ring: Rubber, Gray.
 - * Use Without Waterproof Cap
Panel Thickness Max: 4.0mm
 - * Use With Waterproof Cap
Panel Thickness Max: 3.0mm
 - * Nut are packed separately in PE bags.

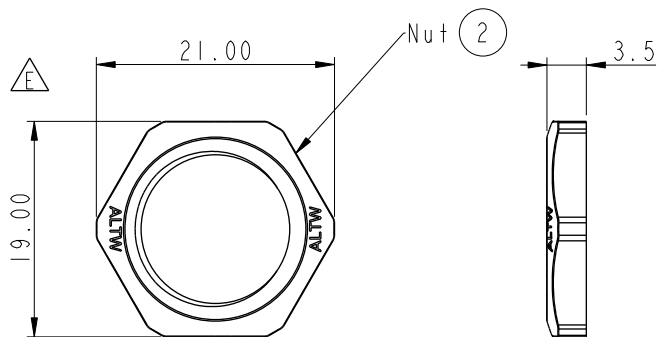
UNIT:mm			TITLE X Lok A-Size Receptacle Front Fastened M Conn M Pin		
TOLERANCE		SCALE 1:1	SIZE A4	SHEET 1	OF 2
$\pm 0.5\text{mm}$		REV. 1	WC-REV. .0	CC : Inspection item	

Amphenol LTW
安費諾亮泰企業股份有限公司

ITEM NO	DRAWN BY Vicky	DATE 2019-03-15
DWG NO AU-XXPMMS-QC8001	CHECKED BY Rita	DATE 2019-03-15
CUSTOMER ALTW	APPROVED BY Max	DATE 2019-03-15

THIS DOCUMENT IS SUBJECT TO CHANGE WITHOUT NOTICE. IT IS CONFIDENTIAL AND A PROPERTY OF Amphenol LTW. DISCLOSURE TO THIRD PARTY HAS TO BE AUTHORIZED BY Amphenol LTW.

THIS DOCUMENT IS SUBJECT TO CHANGE WITHOUT NOTICE. IT IS CONFIDENTIAL AND A PROPERTY OF AMPHENOL LTW. DISCLOSURE TO THIRD PARTY HAS TO BE AUTHORIZED BY AMPHENOL LTW.

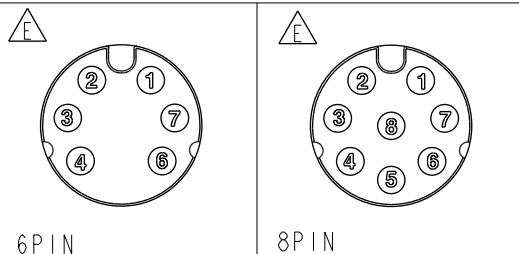


△△G AU: 2A ———— △△G AU- XX P M M S- Q C 8 0 01

△G 06: 6Pin
08: 8Pin

P: Front Fastened
M: Male Connector (公座)
M: Male Pin (公Pin)
S: Solder Type
Q: Push Lock
C: Circular
8: IP68 (防水等級68)

△△G



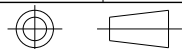
6PIN

8PIN

AU-06PMMS-QC8001

AU-08PMMS-QC8001

UNIT:mm



TOLERANCE

±0.5mm

TITLE X Lok A-Size Receptacle Front Fastened M Conn M Pin			
SCALE 1:1	SIZE A4	SHEET 2 OF 2	
REV. 1	WC-REV. .0	QC: Inspection item	

Amphenol LTW
安費諾亮泰企業股份有限公司

ITEM NO	DRAWN BY Vicky	DATE 2019-03-15
DWG NO AU-XXPMMS-QC8001	CHECKED BY Rita	DATE 2019-03-15
CUSTOMER ALTW	APPROVED BY Max	DATE 2019-03-15