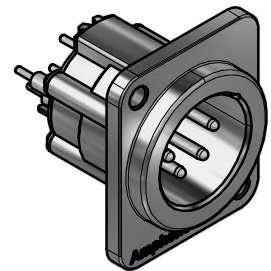


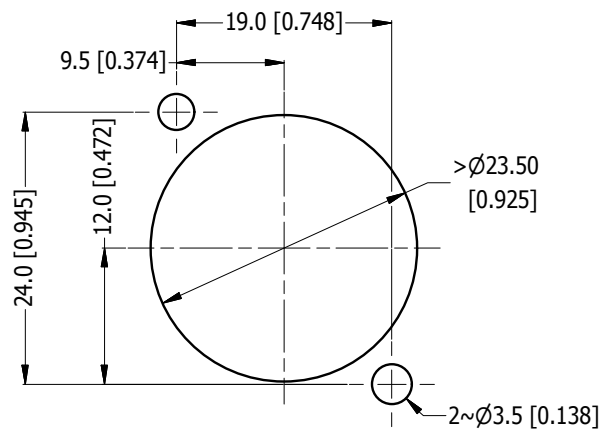
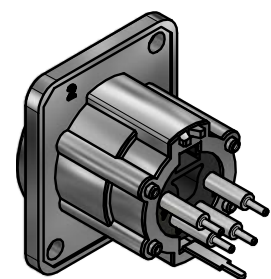
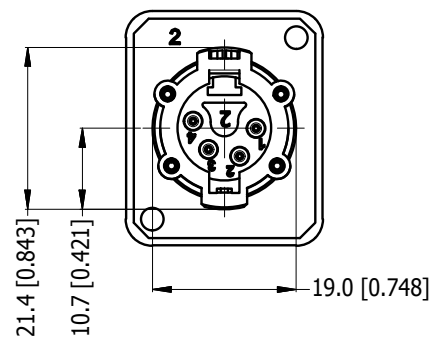
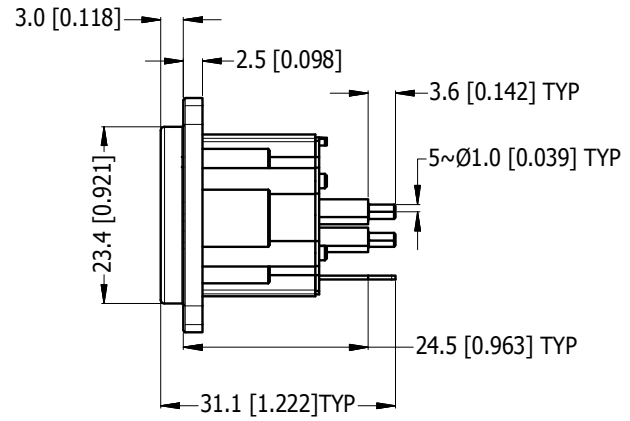
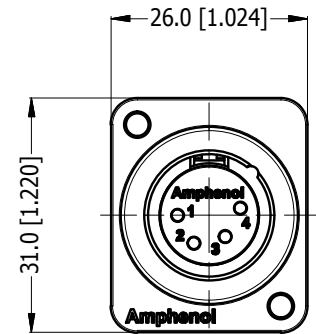
LEGEND = KEY PRODUCT CHARACTERISTICS



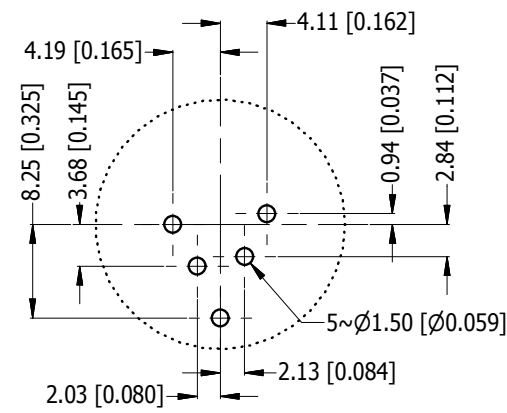
REVISION HISTORY				
REV	DESCRIPTION	DATE	BY	ECN
1	FIRST ISSUE	01/02/19	MH	----



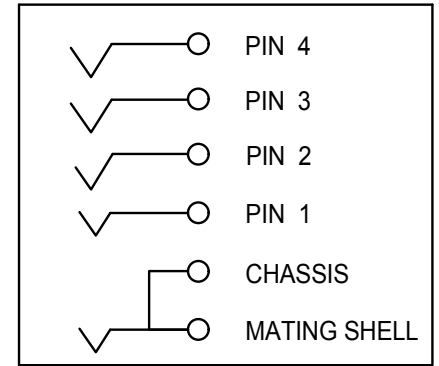
3D VIEW (1:1)



PANEL CUT OUT - REAR MOUNT (SCALE 2:1)



PCB LAYOUT



SCHEMATIC CHART

PART NUMBER	SHELL FINISH	PIN CONTACT FINISH
AX4MDV	NICKEL PLATED	SILVER PLATED
AX4MDV-M3	NICKEL PLATED	SILVER PLATED
AX4MDVB	MATT BLACK COATING	SILVER PLATED
AX4MDVB-M3	MATT BLACK COATING	SILVER PLATED
AX4MDV-AU	NICKEL PLATED	GOLD PLATED
AX4MDV-AU-M3	NICKEL PLATED	GOLD PLATED
A4MDVB-AU	MATT BLACK COATING	GOLD PLATED
A4MDVB-AU-M3	MATT BLACK COATING	GOLD PLATED

UNLESS OTHERWISE SPECIFIED TOLERANCE TO BE

LINEAR	ANGULAR
X ± 0.5	X' ± 1
X.X ± 0.1	X.X' ± 30'
X.XX ± 0.1	X.XX" ± 15'

BREAK ALL SHARP EDGES AND REMOVE ALL BURRS

DO NOT SCALE

DIMENSIONS IN MILLIMETRES

THIS DOCUMENT IS THE PROPERTY OF AMPHENOL AUSTRALIA PTY. LTD. NO PART THEREOF MAY BE REPRODUCED AND USED WITHOUT THE PRIOR WRITTEN CONSENT OF THE OWNER

MATERIAL: **SEE COMPONENT**

FINISH: **SEE COMPONENT**

DRN: M.H DATE: 10/11/17

CKD: M.H DATE: 01/02/19

APP'D: P.M DATE: 01/02/19

THIRD ANGLE PROJECTION

SCALE: **1:1** SIZE: **A4**

Amphenol Amphenol Australia Pty.Ltd, 22 Industry Boulevard, Carrum Downs, VIC 3201

TITLE: **AX4MDV-M3 D-TYPE AX PANEL MOUNT CUSTOMER DWG**

PART No. **SEE TABLE**

DRAWING No. **55011000-131-2** SHEET **2/2**

CAD FILE 55011000131111