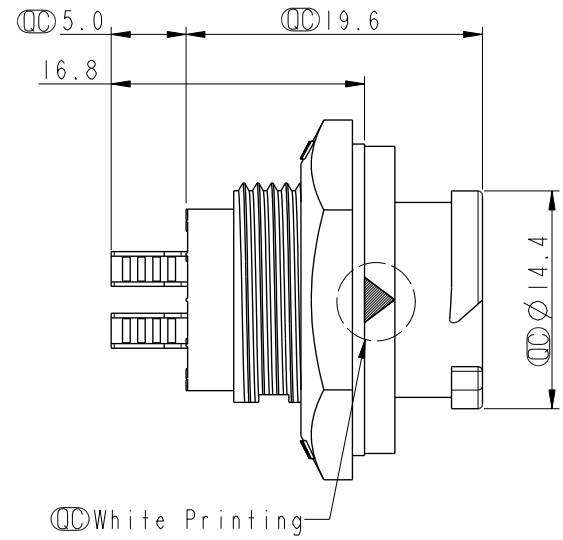
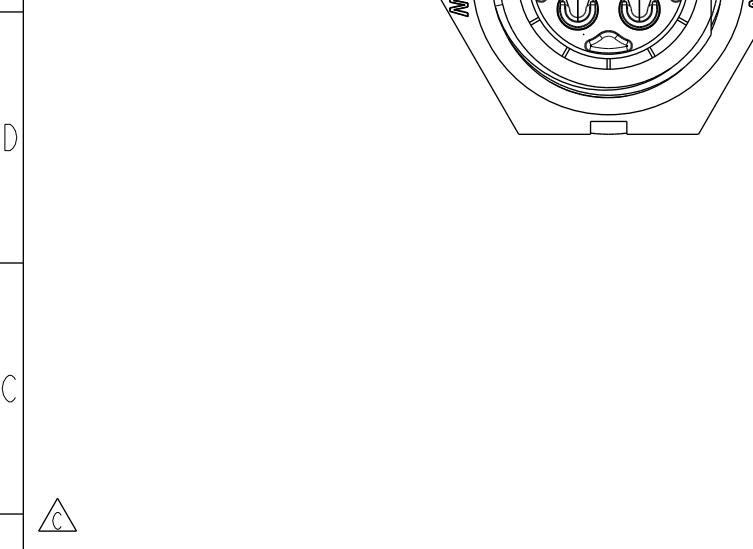
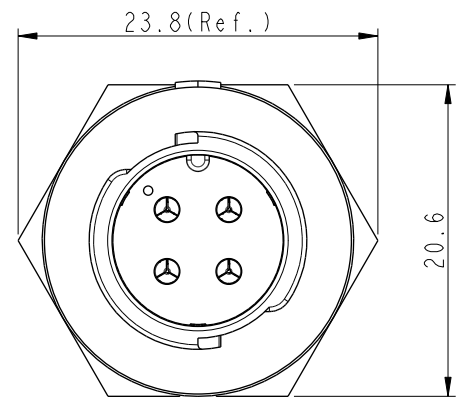
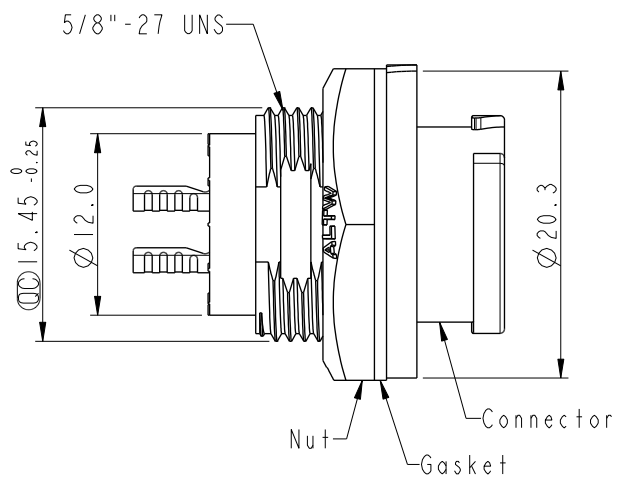
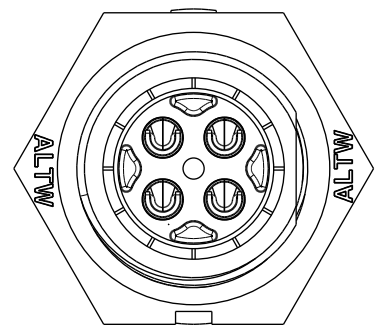
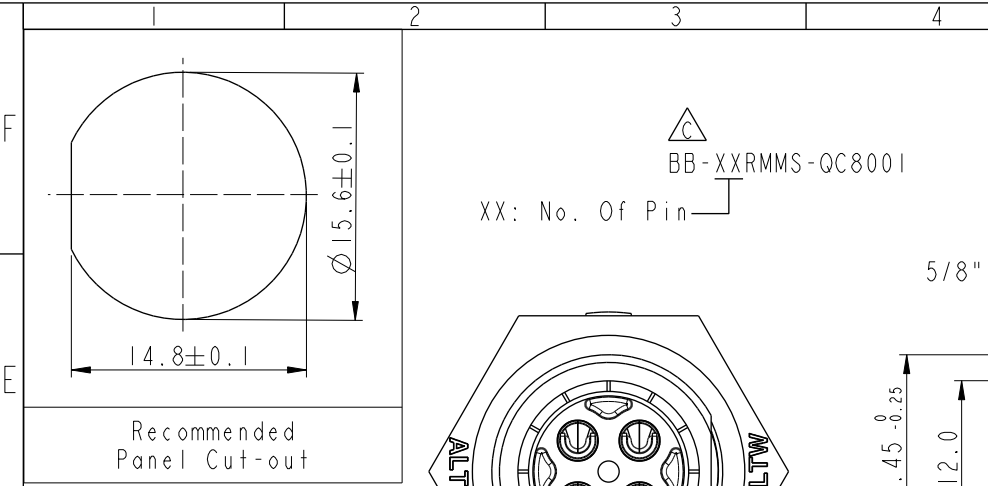


THIS DOCUMENT IS SUBJECT TO CHANGE WITHOUT NOTICE. IT IS CONFIDENTIAL AND A PROPERTY OF AMPHENOL LTW. DISCLOSURE TO THIRD PARTY HAS TO BE AUTHORIZED BY AMPHENOL LTW.

REV.	ECN NO.	DATE	SIGN	DESCRIPTION
B	C190411	2019/03/14	Vicky	Change Note
C	C220466	2022/04/13	Ruru	$\triangle C$ X5
D	C230086	2023/01/31	Ruru	$\triangle D$ XI



- Note: $\triangle B$ $\triangle C$
- * RoHS Compliant
 - * CC Important dimension
 - * $\triangle D$ Waterproof rate: IP68, unmated 1m/24h
 - * Connector
 - Housing: Thermoplastic, Black
 - Pin: Copper alloy, Gold plated
 - * Nut: Thermoplastic, Black
 - * Gasket: Rubber, Gray
 - * For panel thickness max: 4.5mm
 - * Gasket and nut are packed separately in pe bag

UNIT:mm TOLERANCE .X ± 0.25 mm	TITLE XLOK, B-10A, REAR FASTENED M, M, SOLDER, PUSH LOCK $\triangle C$										
	SCALE 2:1	SIZE A4	SHEET 1 OF 1								
	REV. D	WC-REV. A.4	CC : Inspection item								
	<table border="1"> <tr> <td>ITEM NO.</td> <td>DRAWN BY</td> <td>DATE</td> </tr> <tr> <td>DWG NO.</td> <td>CHECKED BY</td> <td>DATE</td> </tr> <tr> <td>CUSTOMER</td> <td>APPROVED BY</td> <td>DATE</td> </tr> </table>			ITEM NO.	DRAWN BY	DATE	DWG NO.	CHECKED BY	DATE	CUSTOMER	APPROVED BY
ITEM NO.	DRAWN BY	DATE									
DWG NO.	CHECKED BY	DATE									
CUSTOMER	APPROVED BY	DATE									

Amphenol LTW
安費諾亮泰企業股份有限公司

ITEM NO.	DRAWN BY	DATE
DWG NO.	CHECKED BY	DATE
CUSTOMER	APPROVED BY	DATE