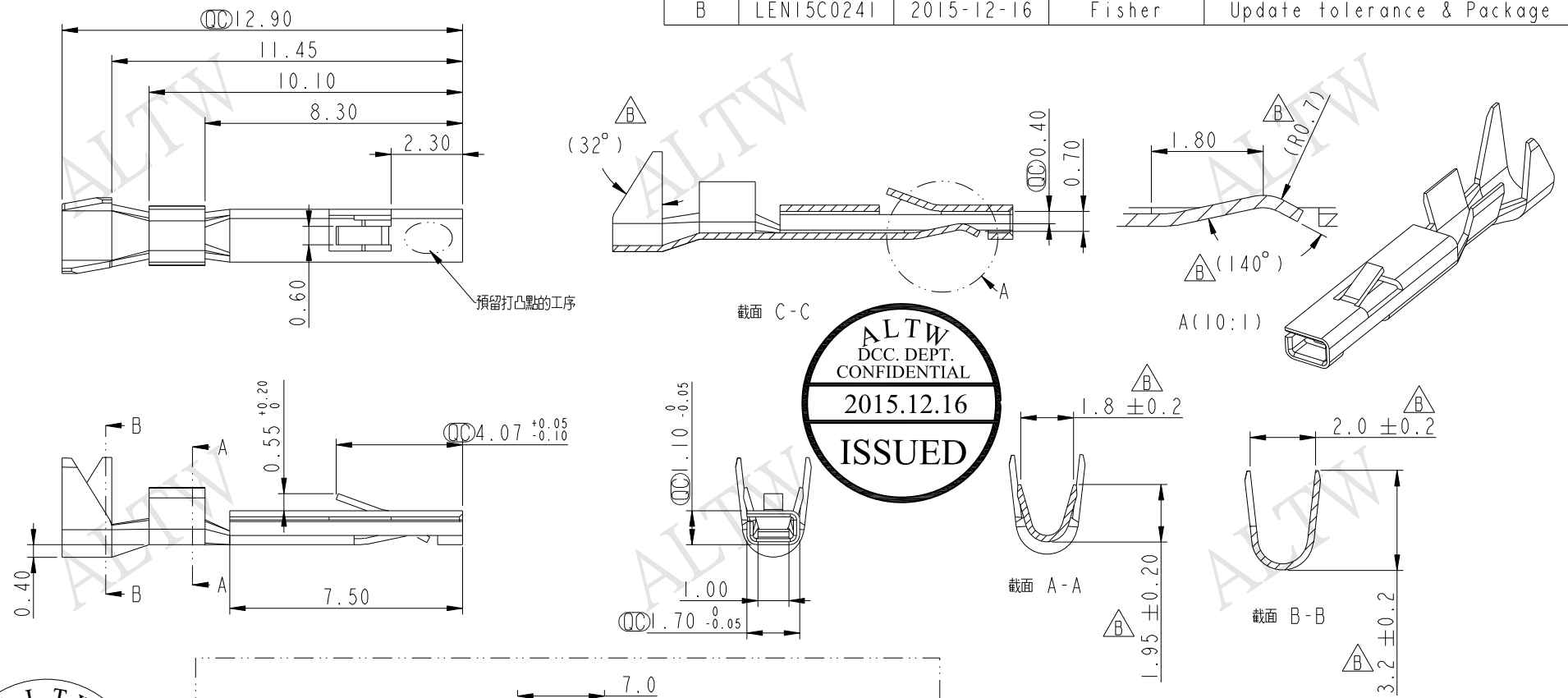
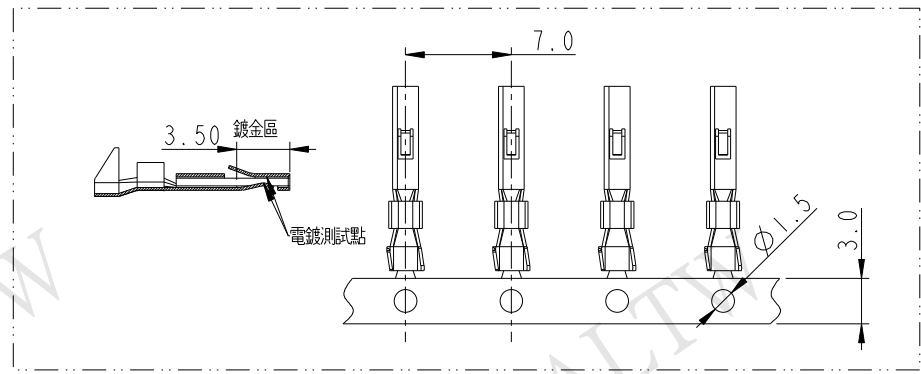


REV.	ECN NO.	DATE	SIGN	DESCRIPTION
A	Initial Release	2014-07-31	Cary	Change To Rev.A
B	LEN15C0241	2015-12-16	Fisher	Update tolerance & Package



ALTW
DCC. DEPT.
CONFIDENTIAL
2015.12.16
ISSUED

ALTW
CONFIDENTIAL
2015-12-16
R&D DEPT.

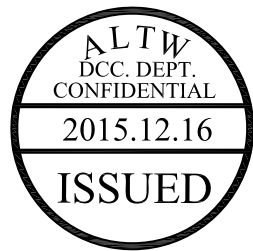


- Note:
- * \varnothing Important Dimension.
 - * Material: C5191, $t=0.2\pm 0.01$ mm.
 - * Finish: 3u" Min Gold Plating Over Nickel Plated 60~120u"
 - * Mold No.: PXI4007A
 - * 5A, 適用20#~22# Wire
 - * 鹽霧測試24小時

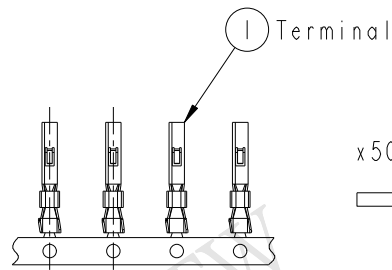
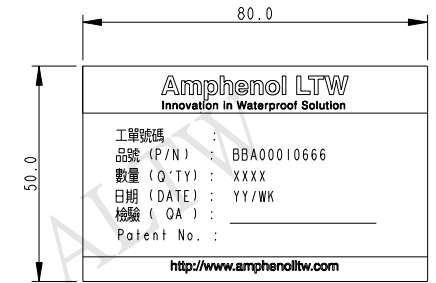
UNIT: mm	 	TITLE SSL1.2 FEMALE TERMINAL			ITEM NO BBA00010666		DRAWN BY Fisher_Wang		DATE 2015-12-16		
		SCALE 5:1			SIZE A4		DWG NO BBA00010666		CHECKED BY Victor_Hung		DATE 2015-12-16
TOLERANCE .X ± 0.25 .XX ± 0.1 .XXX ± 0.05 ANGLES $\pm 1^\circ$		REV. B		WC-REV. A.11		CUSTOMER ALTW		APPROVED BY Kevin_Hu		DATE 2015-12-16	
		SHEET 1 OF 2		 Inspection item		Amphenol LTW 安費諾亮泰企業股份有限公司				8 FMW10702-01-02A1	

THIS DOCUMENT IS SUBJECT TO CHANGE WITHOUT NOTICE. IT IS CONFIDENTIAL AND A PROPERTY OF Amphenol LTW. DISCLOSURE TO THIRD PARTY HAS TO BE AUTHORIZED BY Amphenol LTW.

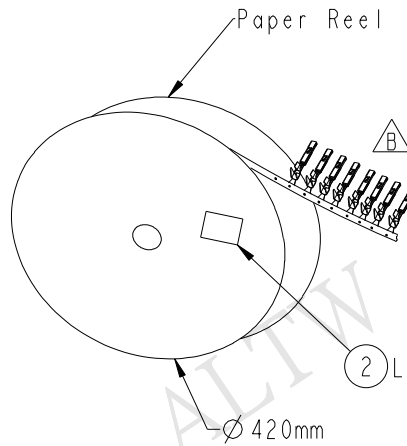
Packing:



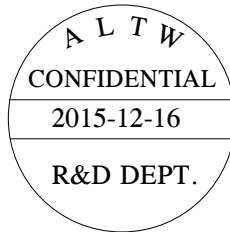
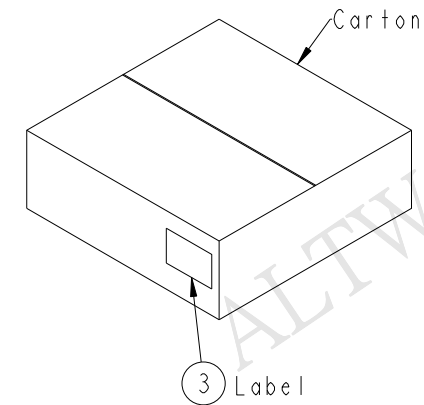
Print content of label



x 5000PCS



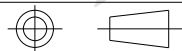
x 2PCS



QUANTITY

- 5000 PCS Terminals In Per Reel.
- 2 Set Reel In Per Carton.
Net Weight: 1.2Kg/Carton.
Gross Weight: 2.1Kg/Carton.
- If Only One Reel, Using Fillers Filled Carton.

UNIT: mm



TOLERANCE
.X ±0.25
.XX ±0.1
.XXX ±0.05
ANGLES ±1°

TITLE SSL1.2 FEMALE TERMINAL			
SCALE 1:1	SIZE A4	SHEET 2 OF 2	
REV. B	WC-REV. A.11	QC: Inspection item	

Amphenol LTW
安費諾亮泰企業股份有限公司

ITEM NO BBA00010666	DRAWN BY Fisher_Wang	DATE 2015-12-16
DWG NO BBA00010666	CHECKED BY Victor_Hung	DATE 2015-12-16
CUSTOMER ALTW	APPROVED BY Kevin_Hu	DATE 2015-12-16