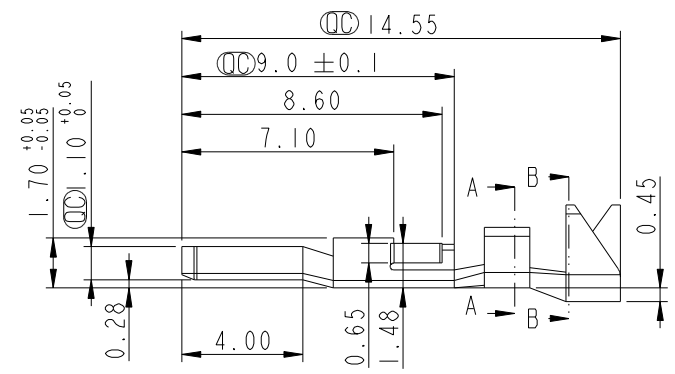
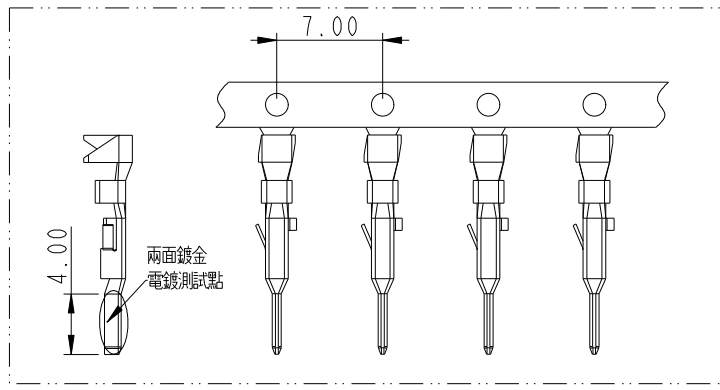
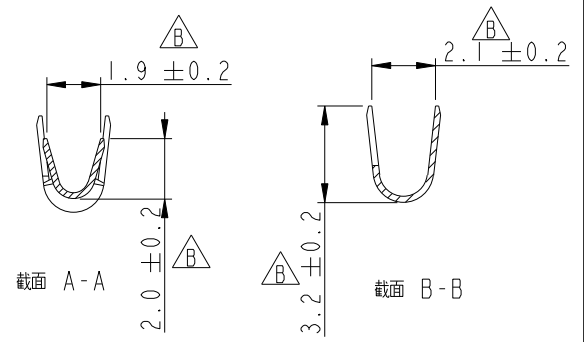
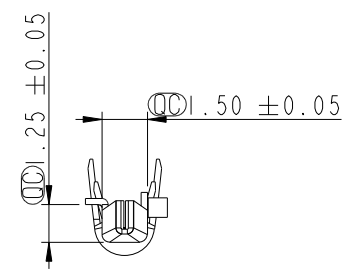
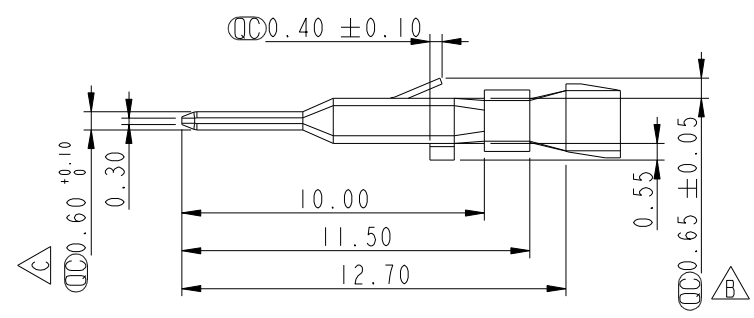
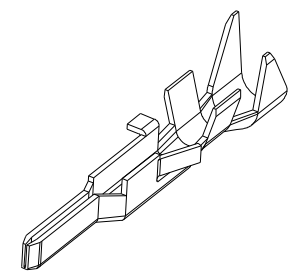


THIS DOCUMENT IS SUBJECT TO CHANGE WITHOUT NOTICE. IT IS CONFIDENTIAL AND A PROPERTY OF Amphenol LTW. DISCLOSURE TO THIRD PARTY HAS TO BE AUTHORIZED BY Amphenol LTW.

REV.	ECN NO.	DATE	SIGN	DESCRIPTION
B		2015-12-08	Fisher	Update tolerance&package
C	C200516	2020-04-25	Nianping Yu	$\triangle C$ x1
D	C201409	2020-09-14	Nianping Yu	$\triangle D$ x1



**ALTW**  
 CONFIDENTIAL  
 2020-09-14  
 R&D DEPT.



Note:

- \*  $\text{⌀}$  Important Dimension.
- \* Material: Phosphor Bronze,  $t=0.2\pm0.01\text{mm}$ .
- \* Finish: 3u" Min Gold Plating Over Nickel Plated 60~80u"
- \* Mold No.: PX14008A
- \* 5A, 適用20#~22# Cable
- \* 鹽霧測試24小時

UNIT: mm		
TOLERANCE	.X $\pm 0.25$	.XX $\pm 0.1$
	.XXX $\pm 0.05$	ANGLES $\pm 1^\circ$

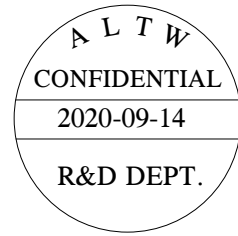
TITLE SSL1.2 MALE TERMINAL		
SCALE 4:1	SIZE A4	SHEET 1 OF 2
REV. D	WC-REV. A.18	$\text{⌀}$ : Inspection item

**Amphenol LTW**  
 安費諾亮泰企業股份有限公司

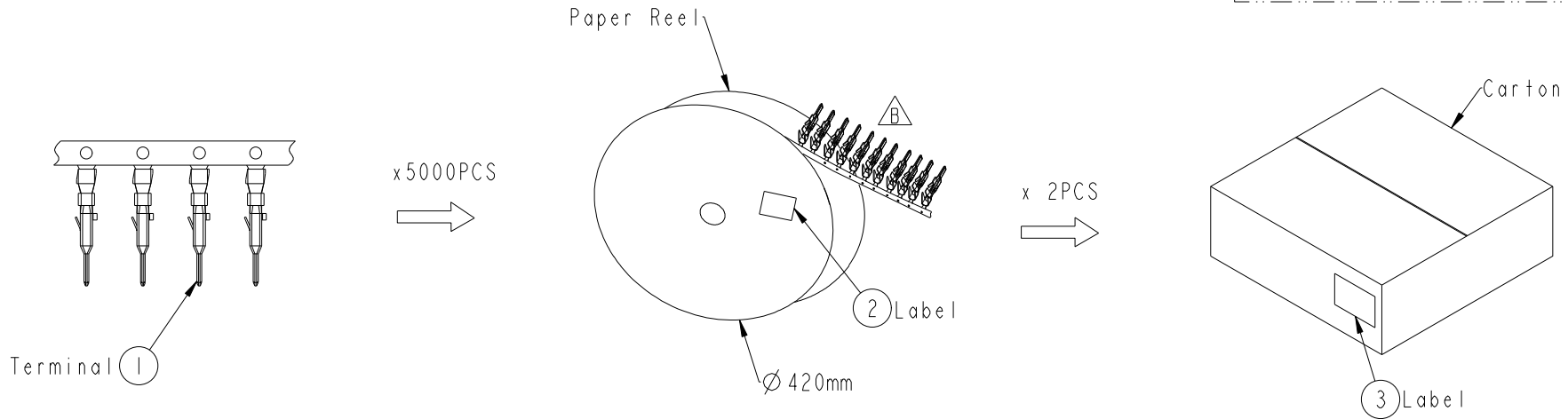
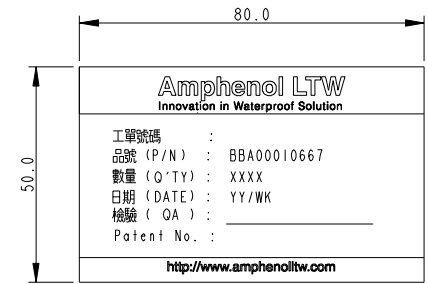
ITEM NO. BBA00010667	DRAWN BY Fisher_Wang	DATE 2015-12-08
DWG NO. BBA00010667	CHECKED BY Victor_Hung	DATE 2015-12-08
CUSTOMER ALTW	APPROVED BY Kevin_Hu	DATE 2015-12-08



Packing:



Print content of label



- QUANTITY
- 5000 PCS Terminals In Per Reel.
  - 2 Set Reel In Per Carton.  
Net Weight: 1.2Kg/ Carton.  
Gross Weight: 2.1Kg/ Carton.
  - If Only One Reel, Using Fillers Filled Carton.

UNIT: mm	
TOLERANCE	
.X	±0.25
.XX	±0.1
.XXX	±0.05
ANGLES	±1°

TITLE SSL1.2 MALE TERMINAL			
SCALE Free	SIZE A4	SHEET 2 OF 2	
REV. D	WC-REV. A.18	QC: Inspection item	

**Amphenol LTW**  
安費諾亮泰企業股份有限公司

ITEM NO BBA00010667	DRAWN BY Fisher_Wang	DATE 2015-12-08
DWG NO BBA00010667	CHECKED BY Victor_Hung	DATE 2015-12-08
CUSTOMER ALTW	APPROVED BY Kevin_Hu	DATE 2015-12-08

THIS DOCUMENT IS SUBJECT TO CHANGE WITHOUT NOTICE. IT IS CONFIDENTIAL AND A PROPERTY OF Amphenol LTW. DISCLOSURE TO THIRD PARTY HAS TO BE AUTHORIZED BY Amphenol LTW.