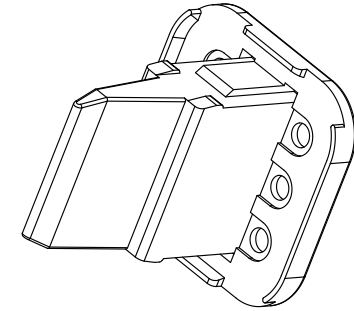
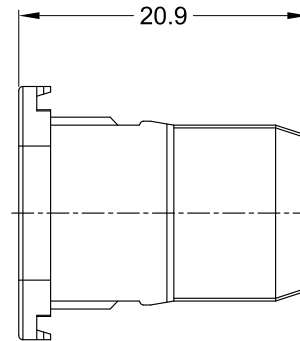
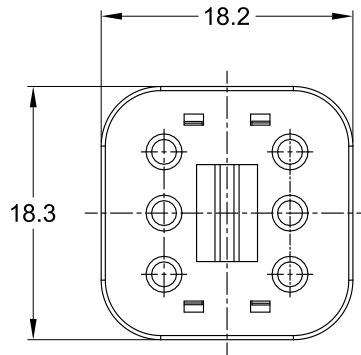
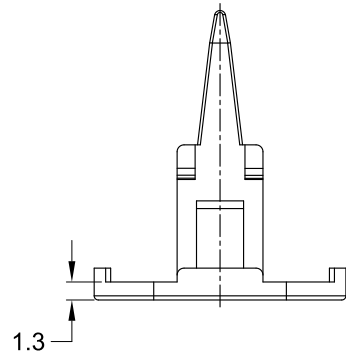


REVISIONS					
REV	ECO	DESCRIPTION	DATE	BY	APPR
A3	-	RELEASE NEW DWG FORMAT	18/SEP/13	DRP	
A4	-	UPDATE DRAWING	10/MAY/19	JOE	TOMMY
A5	C1437S	INCREASE LIMIT RIBS	22/SEP/21	RONALD	TOMMY



TITLE: S-WEDGELOCK, 6 POSITION, AT SERIES  
 DWG NO.: AW6S  
 REV: A5  
 SH: 1  
 OF: 1

NOTES: UNLESS OTHERWISE SPECIFIED

1. MATERIAL: THERMOPLASTIC; COLOR: GREEN
2. RoHS COMPLIANT
3. CAVITIES: 6
4. KEYED: N/A
5. USE WITH CONNECTORS AT06-6S\*  
(\* = MODIFICATIONS AND COLORS)
6. ALL DIMENSIONS ARE FOR REFERENCE USE ONLY.

QUANTITY	AW6S	DESCRIPTION	ITEM												
<b>MATERIALS LIST</b>															
<b>UNLESS OTHERWISE SPECIFIED:</b> 1) All dimensions are in metric (mm). 2) Tolerances are as follows: 1 PL DEC ±0.30   Fractions ±1/64 2 PL DEC ±0.15   Angles ±1° 3 PL DEC ±0.08 3) Note reference =		<table border="1"> <tr> <th>SIGNATURES</th> <th>DATE</th> </tr> <tr> <td>DRAWN: RONALD</td> <td>22/SEP/21</td> </tr> <tr> <td>CHECKED: ORION</td> <td>23/SEP/21</td> </tr> <tr> <td>ENGINEER:</td> <td></td> </tr> <tr> <td>APPROVAL: TOMMY</td> <td>24/SEP/21</td> </tr> <tr> <td>CUSTOMER:</td> <td></td> </tr> </table>		SIGNATURES	DATE	DRAWN: RONALD	22/SEP/21	CHECKED: ORION	23/SEP/21	ENGINEER:		APPROVAL: TOMMY	24/SEP/21	CUSTOMER:	
SIGNATURES	DATE														
DRAWN: RONALD	22/SEP/21														
CHECKED: ORION	23/SEP/21														
ENGINEER:															
APPROVAL: TOMMY	24/SEP/21														
CUSTOMER:															
<b>MATERIAL SPECIFICATIONS:</b> THIS DRAWING IS SUPPLIED FOR INFORMATION ONLY. DESIGN FEATURES, SPECIFICATIONS AND PERFORMANCE DATA SHOWN HEREON ARE THE PROPERTY OF THE AMPHENOL CORPORATION. NO RIGHTS OF REPRODUCTION ARE IMPLIED. ALL DIMENSIONS ARE SUBJECT TO NORMAL MANUFACTURING VARIATIONS.		 Sine Systems - www.amphenol-sine.com 44724 Morley Drive Clinton Township, MI 48036													
<b>PROCESS SPECIFICATIONS:</b>		<b>S-WEDGELOCK, 6 POS ITION, AT SERIES</b>													
<b>NEXT ASSY:</b>		SIZE: <b>B C-</b> SCALE: <b>NONE</b>	DWG NO: <b>AW6S</b> SHEET <b>1</b> OF <b>1</b> REVISION: <b>A5</b>												