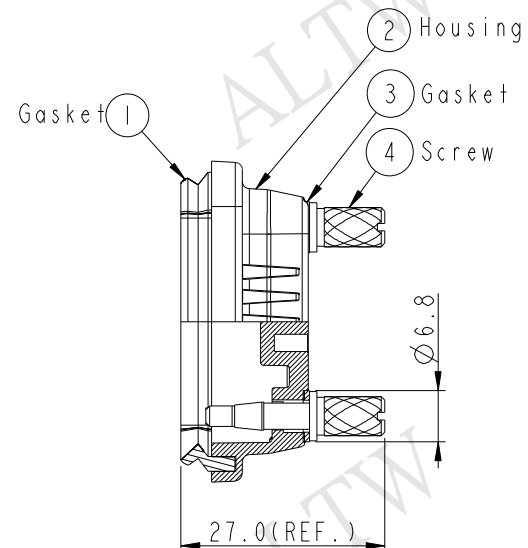
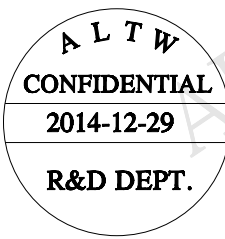
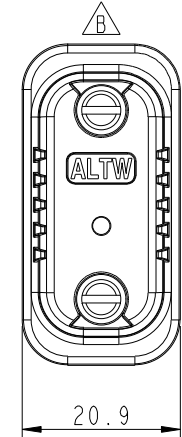
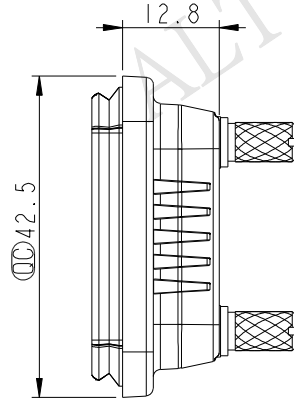
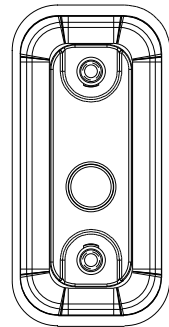


THIS DOCUMENT IS SUBJECT TO CHANGE WITHOUT NOTICE. IT IS CONFIDENTIAL AND A PROPERTY OF AMPHENOL LTW. DISCLOSURE TO THIRD PARTY HAS TO BE AUTHORIZED BY AMPHENOL LTW.

REV.	ECN NO.	DATE	SIGN	DESCRIPTION
A	Initial Release	2013/09/09	Vicky	Old Item No. CAP-WDIPCSAI
B	LEN1540195	2014/12/29	Jinhai	Change Logo



- Note:
- * \varnothing Important Dimension.
 - * Waterproof Rate: IP67.
 - * Housing: Nylon+GF, Black.
 - * Gasket: EPDM, Black.
 - * Screw: Copper Alloy, Nickel Plated.
 - * Screw Torque: 2-4Kgf.cm

UNIT:mm		
TOLERANCE		
±0.5mm		

TITLE Waterproof Cap, For D-SUB Panel DB09/HDI5, Male/Female Conn			
SCALE 1:1	SIZE A4	SHEET 1 OF 1	
REV. B	WC-REV. A.2	\varnothing : Inspection item	

Amphenol LTW
安費諾亮泰企業股份有限公司

ITEM NO CAP-WDICSPA1	DRAWN BY Jinhai	DATE 2014-12-29
DWG NO CAP-WDICSPA1	CHECKED BY Tom	DATE 2014-12-29
CUSTOMER ALTW	APPROVED BY Jerry	DATE 2014-12-29