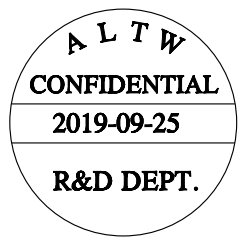
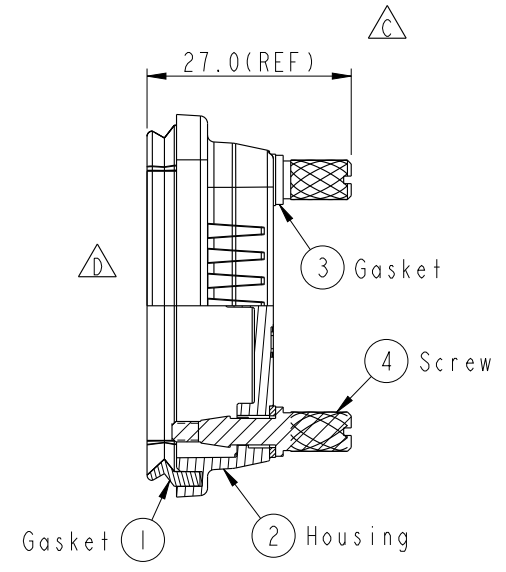
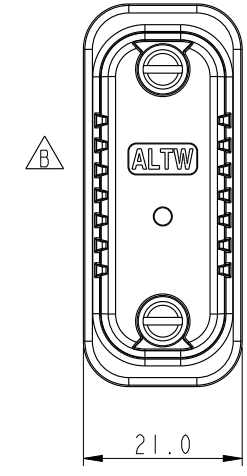
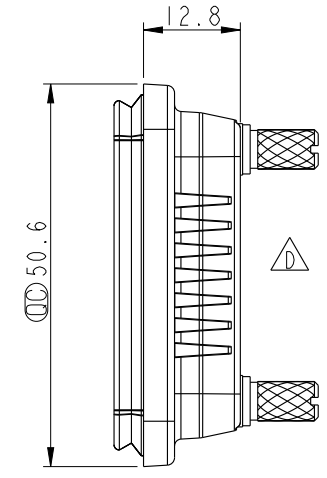
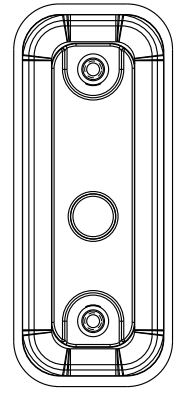


THIS DOCUMENT IS SUBJECT TO CHANGE WITHOUT NOTICE. IT IS CONFIDENTIAL AND A PROPERTY OF Amphenol LTW. DISCLOSURE TO THIRD PARTY HAS TO BE AUTHORIZED BY Amphenol LTW.

| REV. | ECN NO.    | DATE       | SIGN   | DESCRIPTION             |
|------|------------|------------|--------|-------------------------|
| B    | LEN1740209 | 2017/03/31 | Ruru   | Change Logo             |
| C    | LEN1760194 | 2017/06/14 | Kalman | Correct screw dimension |
| D    | CI91705    | 2019-09-25 | Fu     | Modify fillets          |



Note:  
 \*  $\varnothing$  Important Dimension  
 \* Waterproof Rate: IP67  
 \* Housing: Nylon+GF, Black  
 \* Gasket: EPDM, Black  
 \* Screw: Copper Alloy, Nickel Plated  
 \* Screw Torque: 2-4Kgf.cm

|           |       |  |
|-----------|-------|--|
| UNIT: mm  |       |  |
| TOLERANCE |       |  |
| .X        | ±0.25 |  |
| .XX       | ±0.1  |  |
| .XXX      | ±0.05 |  |
| ANGLES    | ±1°   |  |

|   |                |                                 |  |
|---|----------------|---------------------------------|--|
| TITLE<br>Waterproof Cap, For D-SUB Panel<br>DB15/HD26, Male/Female Conn |                |                                 |  |
| SCALE<br>1:1  | SIZE<br>A4     | SHEET<br>1 OF 1                 |  |
| REV.<br>D   | WC-REV.<br>A.1 | $\varnothing$ : Inspection item |  |

**Amphenol LTW**  
 安費諾亮泰企業股份有限公司

|                         |                       |                    |
|-------------------------|-----------------------|--------------------|
| ITEM NO<br>CAP-WD2CSPA1 | DRAWN BY<br>Fu        | DATE<br>2019-09-25 |
| DWG NO<br>CAP-WD2CSPA1  | CHECKED BY<br>Feng li | DATE<br>2019-09-25 |
| CUSTOMER<br>ALTW        | APPROVED BY<br>Jerry  | DATE<br>2019-09-25 |