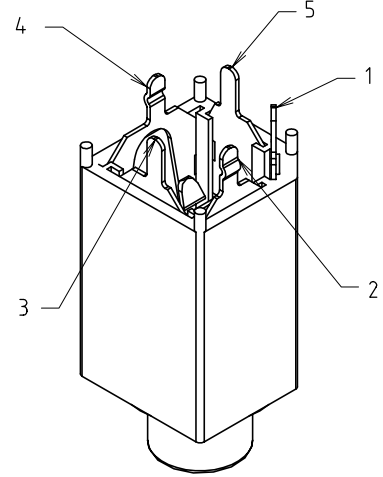
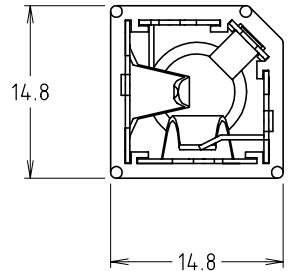
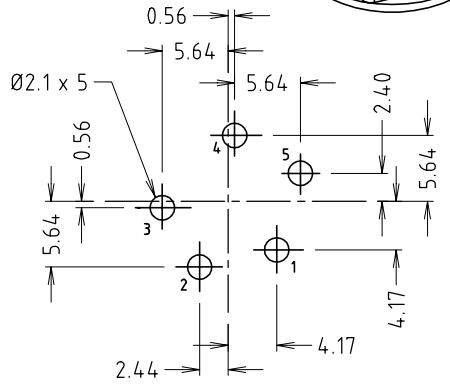
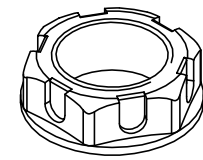


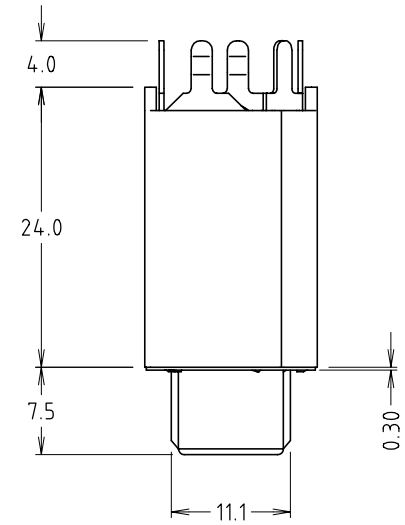
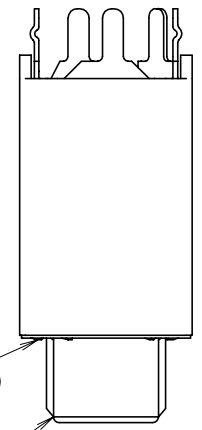
ISS.	AMEND	DATE
1	1st DRAWN	21/08/97
2	NUT ADDED+BORDER	18/04/13



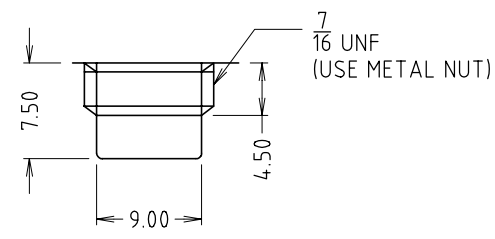
NUT SUPPLIED UNASSEMBLED - BULK PACKED



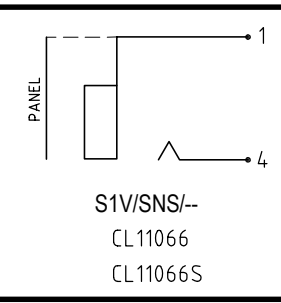
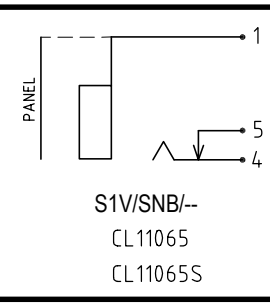
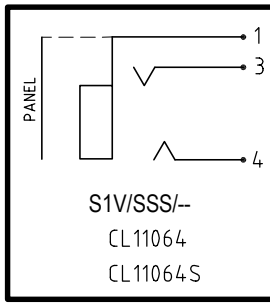
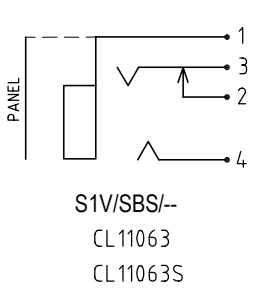
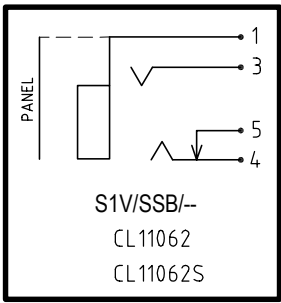
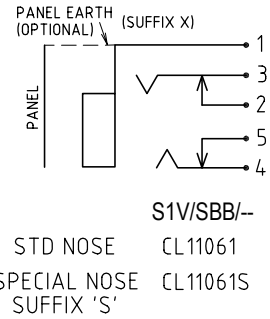
SUPPLIED WITH 1x BLACK PLASTIC NUT.
ADD SUFFIX 'X' TO PART No. FOR
OPTIONAL PANEL EARTH TO BE
SUPPLIED FITTED TO JACK.



PC LAYOUT



NOTE:
ITEMS SHOWN IN BOXES CAN BE
PRODUCED BUT THEY DO NOT
HAVE TERMINAL 2, SO THEY
WILL NOT LATCH INTO PCB
EFFICIENTLY.



RoHS COMPLIANT	
TOLERANCE	
NO DEC. PLACE ± 0.50	
1 DEC. PLACE ± 0.20	
2 DEC. PLACE ± 0.10	
HOLE Ø ± 0.10	
ANGLES ± 1/2°	
UNLESS OTHERWISE STATED	

Cliff Electronic Components Ltd.
76 Holmesthorpe Avenue, Holmesthorpe Industrial Estate,
Redhill, Surrey, RH1 2PF, England, UK
Tel: 01737-771375 Fax: 01737-766012 Website: www.cliffuk.co.uk

THE CONTENTS OF THIS DOCUMENT MUST NOT BE COPIED OR DISCLOSED TO A 3rd PARTY WITHOUT WRITTEN PERMISSION OF CLIFF UK. © 1997

DIMENSIONS IN MILLIMETERS UNLESS OTHERWISE STATED. WORK TO DIMENSIONS. REMOVE ALL BURRS. IF IN DOUBT ASK.

MATERIAL: COMPOSITE
FINISH: CLEAN / TIN PLATED
DRAWN: C.A.M.J. APPROVED: R.W.T.

3rd ANGLE PROJECTION:

TITLE: S1V 1/4" JACK SOCKET
DRWG. No. CL11061 FORM: A4DRWGH

DO NOT SCALE