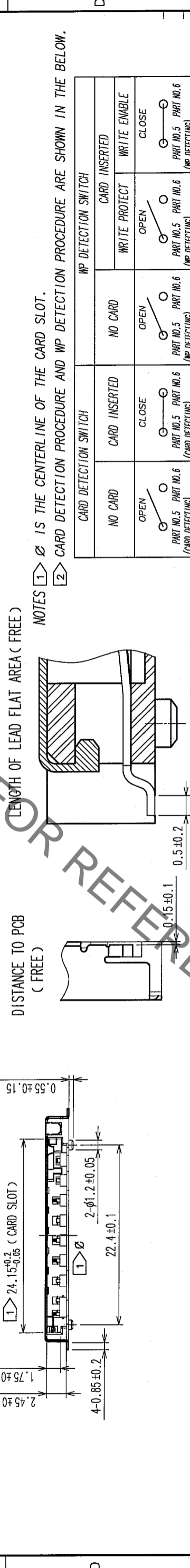
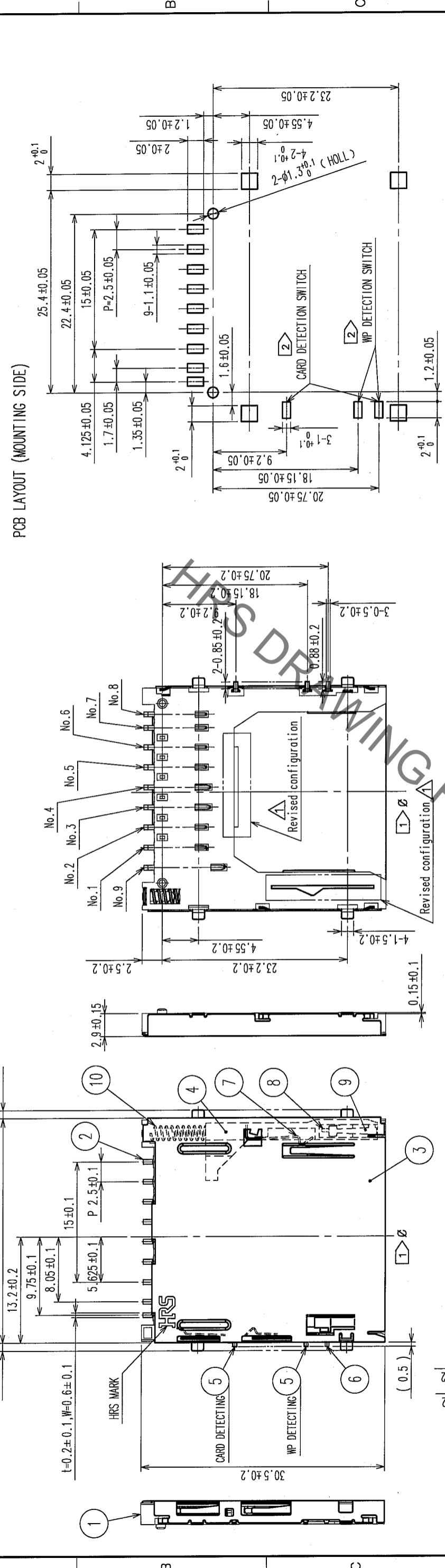


Apr.1.2019 Copyright 2019 HIROSE ELECTRIC CO., LTD. All Rights Reserved.
 2 In case of consideration for using Automotive equipment / device which demand high reliability, kindly contact our sales window correspondents.

COUNT	DESCRIPTION OF REVISIONS	BY	CHKD	DATE	COUNT	DESCRIPTION OF REVISIONS	BY	CHKD	DATE
2	DIS-F-000445	H.S.		05.09.27					

COUNT	DESCRIPTION OF REVISIONS	BY	CHKD	DATE	COUNT	DESCRIPTION OF REVISIONS	BY	CHKD	DATE



CARD DETECTION SWITCH	NO CARD	CARD INSERTED	NO CARD	CARD INSERTED	WP DETECTION SWITCH	NO CARD	CARD INSERTED
OPEN	CLOSE	OPEN	CLOSE	OPEN	OPEN	CLOSE	OPEN
PART NO.5 (CARD DETECTING)	PART NO.5 (CARD DETECTING)	PART NO.6 (WP DETECTING)	PART NO.5 (CARD DETECTING)	PART NO.6 (WP DETECTING)	PART NO.5 (CARD DETECTING)	PART NO.6 (WP DETECTING)	PART NO.6 (WP DETECTING)

NO.	MATERIAL	FINISH, REMARKS	NO.	MATERIAL	FINISH, REMARKS
3	STAINLESS STEEL	MOUNTING AREA: Ni0.5μm-Sn1μm	10	SWC	Ni3μm
2	COPPER ALLOY	CONTACT AREA: Ni2μm-m+Au0.2μm	7~9	STAINLESS STEEL	
1	LCP	MOUNTING AREA: Ni2μm-m+Au0.03μm	5, 6	COPPER ALLOY	CONTACT AREA: Ni2μm-m+Au0.2μm
		BLACK	4	LCP	MOUNTING AREA: Ni2μm-m+Au0.03μm
		UL94V-0			BLACK
					UL94V-0

CODE NO. (OLD)	CL	DRAWN	DESIGNED	CHECKED	APPROVED	RELEASED
		H.SAITOU	H.SAITOU	S.TOMIOKA	K.AKIYAMA	
		'05.07.19	'05.07.19	'05.07.19	'05.07.19	

DRAWING NO.	PART NO.
EDC3-153736-02	DM1AA-SF-PEJ(82)

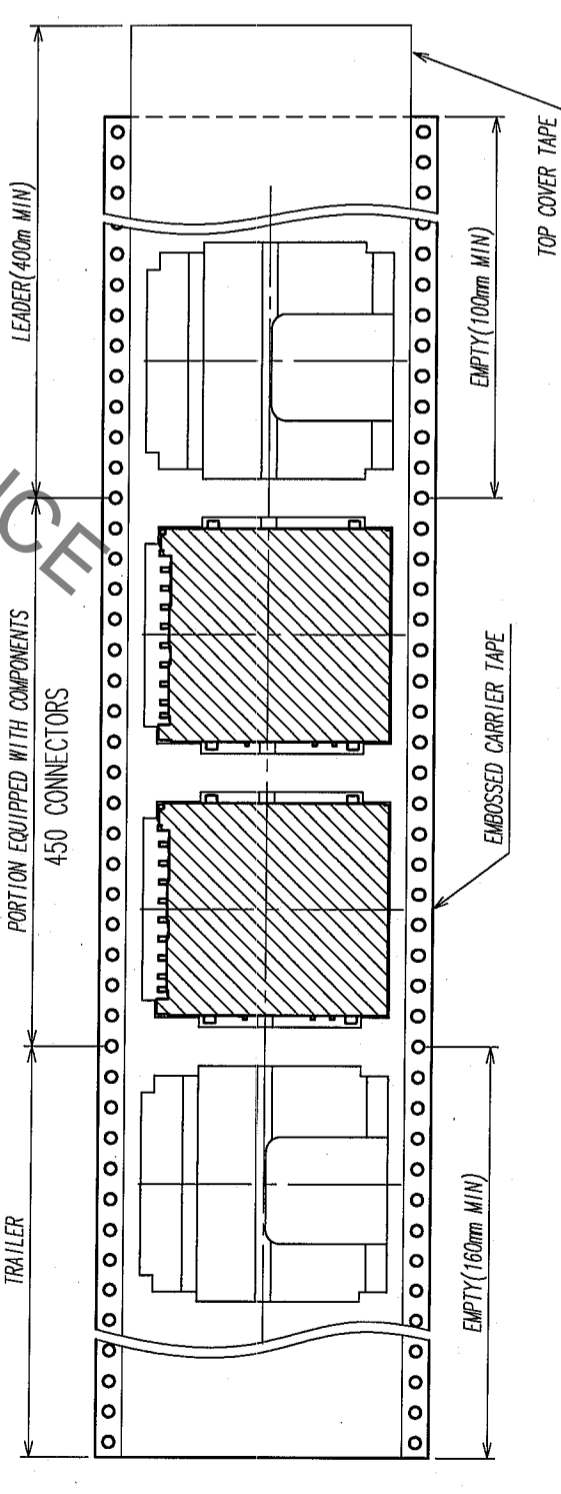
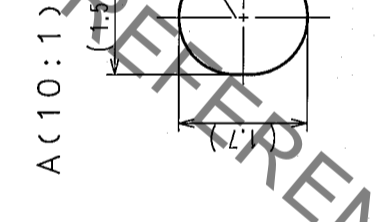
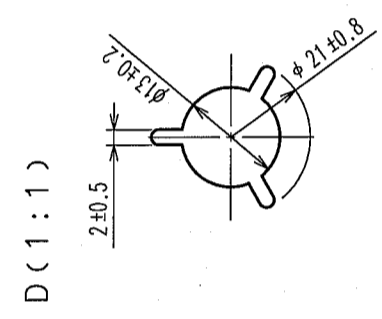
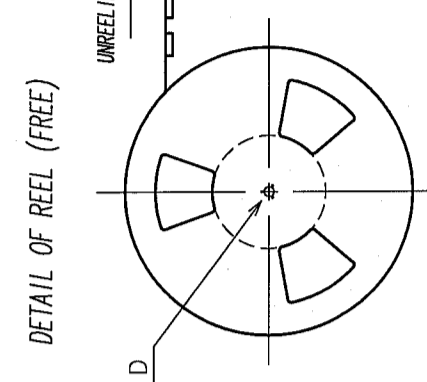
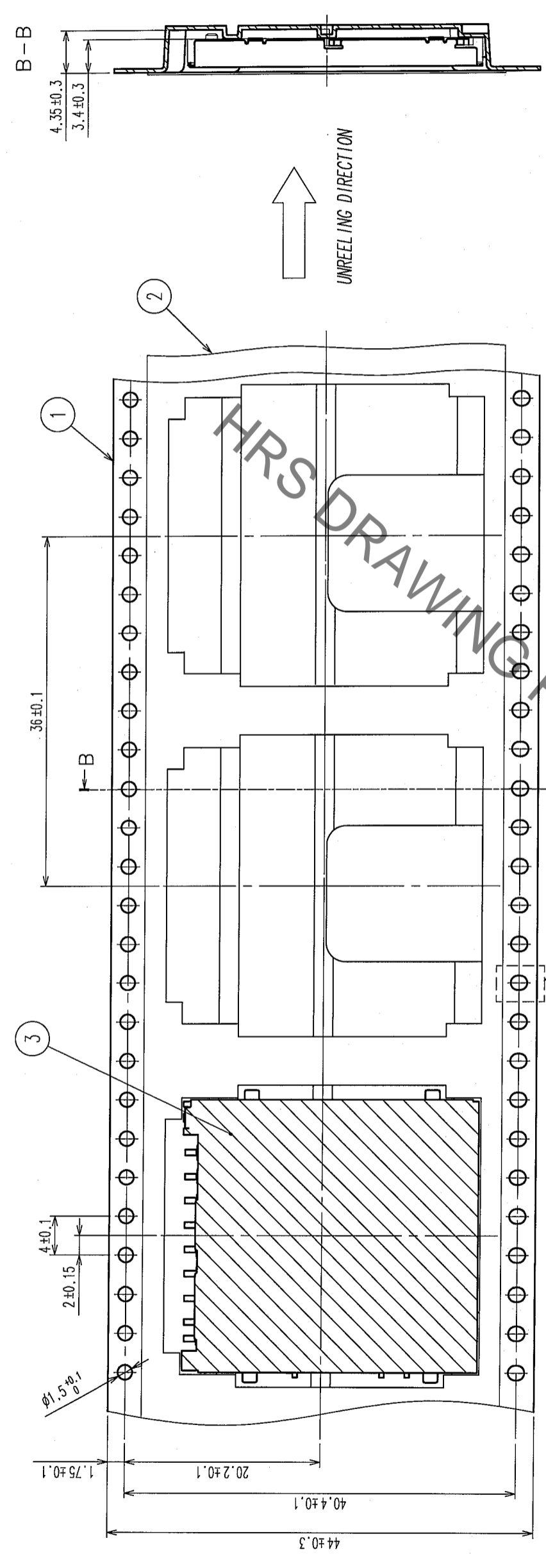
SCALE	UNITS
2 : 1	mm

CODE NO.
CL609-0004-8-82

1	2	3	4	5	6	7	8

Apr.1.2019 Copyright 2019 HIROSE ELECTRIC CO., LTD. All Rights Reserved.
 2 In case of consideration for using Automotive equipment / device which demand high reliability, kindly contact our sales window correspondents.

COUNT	DESCRIPTION OF REVISIONS	BY	CHKD	DATE	COUNT	DESCRIPTION OF REVISIONS	BY	CHKD	DATE



NOTES		1 450 CONNECTORS / REEL	
3 (CONNECTORS)	POLYESTER	NO.	MATERIAL
2	PS	DESIGNED	H. SAITOU
1	PS	CHECKED	S. TOMIOKA
		DESIGNED	'05.07.19
		CHECKED	'05.07.19
		APPROVED	K. AKIYAMA
		APPROVED	'05.07.19
		FINISH, REMARKS	
		FINISH, REMARKS	

DRAWING NO.	EDC3-153736-02	PART NO.	DM1AA-SF-PEJ (82)
SCALE	2 : 1	CODE NO.	CL609-0004-8-82
UNITS	mm		

TO