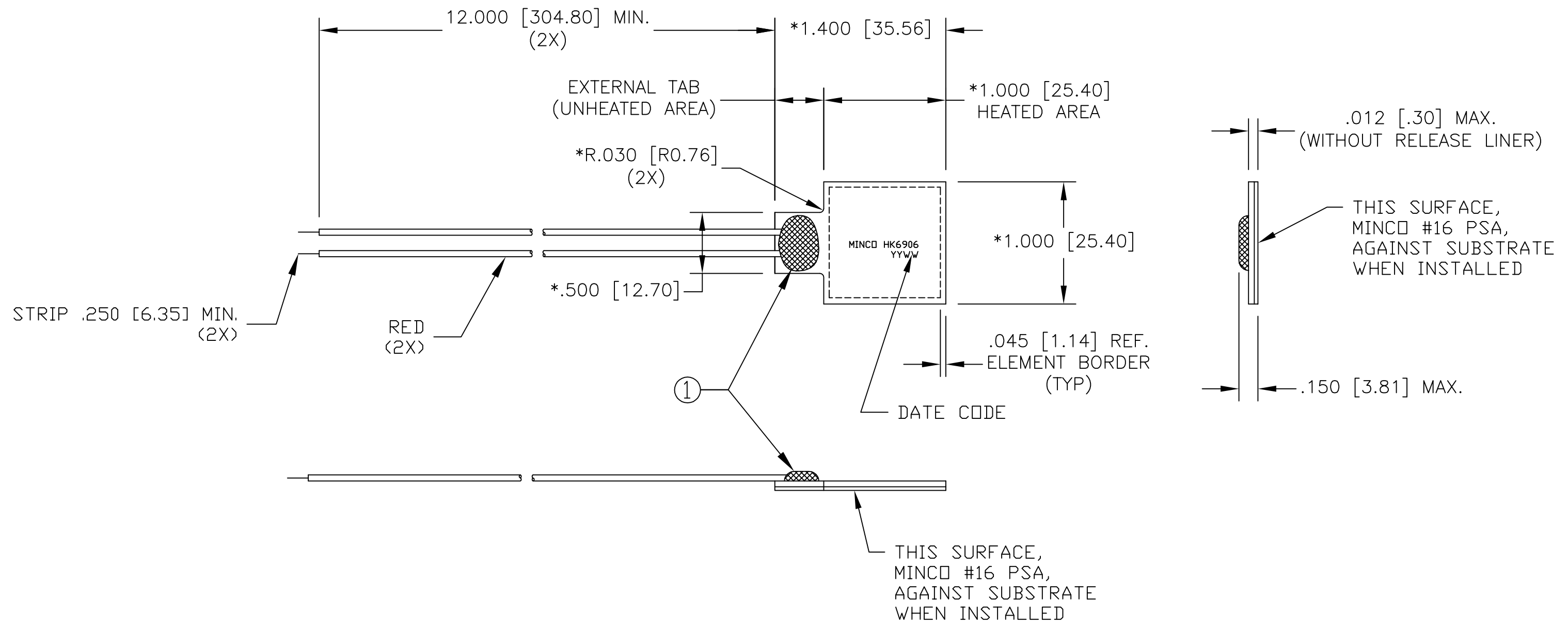


REVISIONS					
REV	DESCRIPTION	DATE	ECO	DR	APPD
A	UPDATED PER ECO 1577075	5-16-11	1577075	LRK	JPN



9. PART IS RoHS COMPLIANT.
8. DIMENSIONS PRECEDED BY AN \* ARE CONTROLLED BY ENGINEERING DESIGN AND TOOLING.
7. HEATER IS SUPPLIED WITH MINCO #16 PRESSURE-SENSITIVE ADHESIVE AND RELEASE LINER WHICH COVER THE ENTIRE SUBSTRATE SIDE. INSTALL HEATER PER SPI 00-0603, A COPY OF WHICH IS INCLUDED WITH SHIPMENT.
6. INSULATION: POLYIMIDE.
5. LEADWIRE: A.W.G. #26, STRANDED, TFE INSULATED PER NEMA HP3.
4. DIELECTRIC STRENGTH: 500 VOLTS RMS AT 60 Hz FOR 1 MINUTE, ELEMENT TO OUTER SURFACES.
3. TEMPERATURE LIMIT: 100°C MAXIMUM AT ZERO POWER.
2. RESISTANCE: 94.67 OHMS (104.14/85.21).
1. ELEMENT: NON-INDUCTIVE PATTERN.

UNLESS OTHERWISE SPECIFIED DIMENSIONS AND TOLERANCES IN INCHES DIMENSIONS IN [ ] ARE IN MILLIMETERS		INITIALS	DATE	ITEM	REQD	PART/STOCK NO	MATERIAL DESCRIPTION
ONE PLACE (.0)	±.030 [±0.76]	DR LRK 2368	7-22-11	①	AR	701-9001	URETHANE, BLUE
TWO PLACE (.00)		CHK DD 1996	4-01-11	TITLE:			<b>MINCO</b> www.minco.com COMPANY CONFIDENTIAL PROPRIETARY INFORMATION OF MINCO PRODUCTS, INC. DO NOT DUPLICATE
THREE PLACE (.000)		ENGR JPN 3182	4-05-11	THERMOFOIL HEATER MODEL HK6906			
ANGLES:	QA		CAGE IDENT. 09359				
MATERIAL:	PRD			SCALE NONE			HK6906 REV A
FINISH:	NEXT ASSY	CATEGORY		DWG SIZE B			
	USED ON	INIT. JOB		STOCK NO			SHEET 1 OF 1