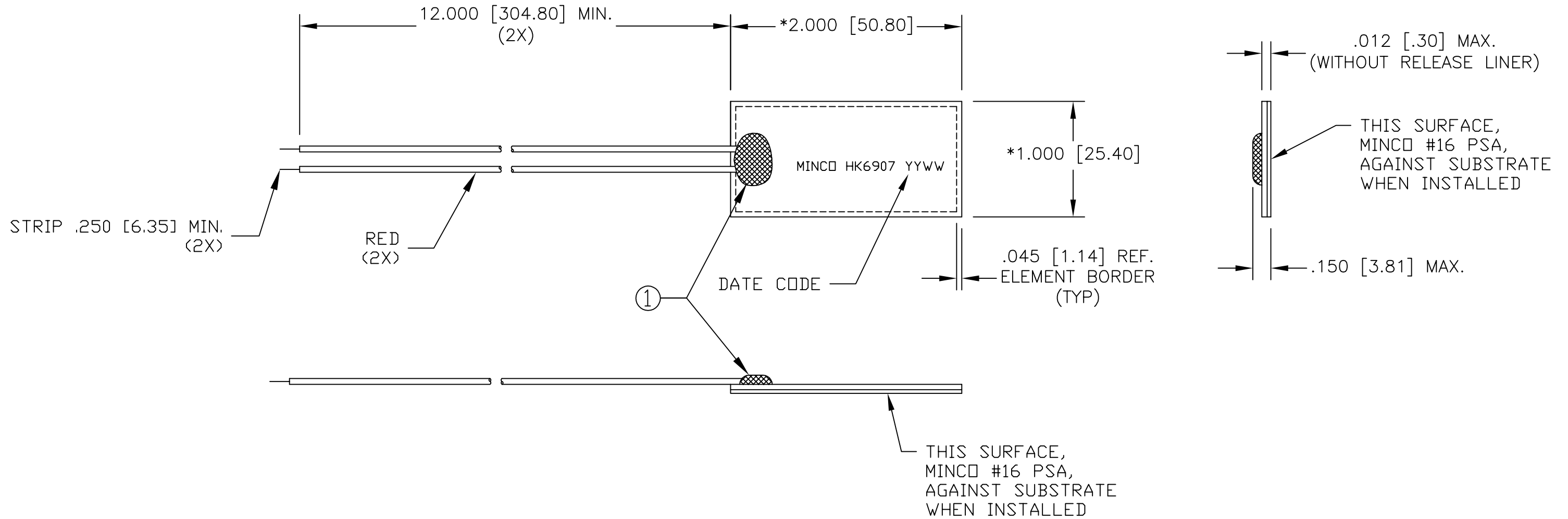


REVISIONS					
REV	DESCRIPTION	DATE	ECO	DR	APPD
A	UPDATED PER ECO 1577075	5-16-11	1577075	LRK	JPN



9. PART IS RoHS COMPLIANT.
8. DIMENSIONS PRECEDED BY AN * ARE CONTROLLED BY ENGINEERING DESIGN AND TOOLING.
7. HEATER IS SUPPLIED WITH MINCO #16 PRESSURE-SENSITIVE ADHESIVE AND RELEASE LINER WHICH COVER THE ENTIRE SUBSTRATE SIDE. INSTALL HEATER PER SPI 00-0603, A COPY OF WHICH IS INCLUDED WITH SHIPMENT.
6. INSULATION: POLYIMIDE.
5. LEADWIRE: A.W.G. #26, STRANDED, TFE INSULATED PER NEMA HP3.
4. DIELECTRIC STRENGTH: 500 VOLTS RMS AT 60 Hz FOR 1 MINUTE, ELEMENT TO OUTER SURFACES.
3. TEMPERATURE LIMIT: 100°C MAXIMUM AT ZERO POWER.
2. RESISTANCE: 47.78 OHMS (52.55/43.00).
1. ELEMENT: NON-INDUCTIVE PATTERN.

UNLESS OTHERWISE SPECIFIED DIMENSIONS AND TOLERANCES IN INCHES DIMENSIONS IN [] ARE IN MILLIMETERS		INITIALS	DATE	①	AR	701-9001	URETHANE, BLUE
ONE PLACE (.0)	} ±.030 [±0.76]	DR	LRK 2368	7-22-11	REQD	PART/STOCK NO	MATERIAL DESCRIPTION
TWO PLACE (.00)		CHK	DD 1996	4-01-11	TITLE: THERMOFOIL HEATER MODEL HK6907		
THREE PLACE (.000)		APP					
ANGLES:		ENGR	JPN 3182	4-05-11	 www.minco.com COMPANY CONFIDENTIAL PROPRIETARY INFORMATION OF MINCO PRODUCTS, INC. DO NOT DUPLICATE		
MATERIAL:		QA					
FINISH:		PRD			CAGE IDENT. 09359 SHEET 1 OF 1		
		NEXT ASSY	CATEGORY	STOCK NO			
		USED ON	INIT. JOB				