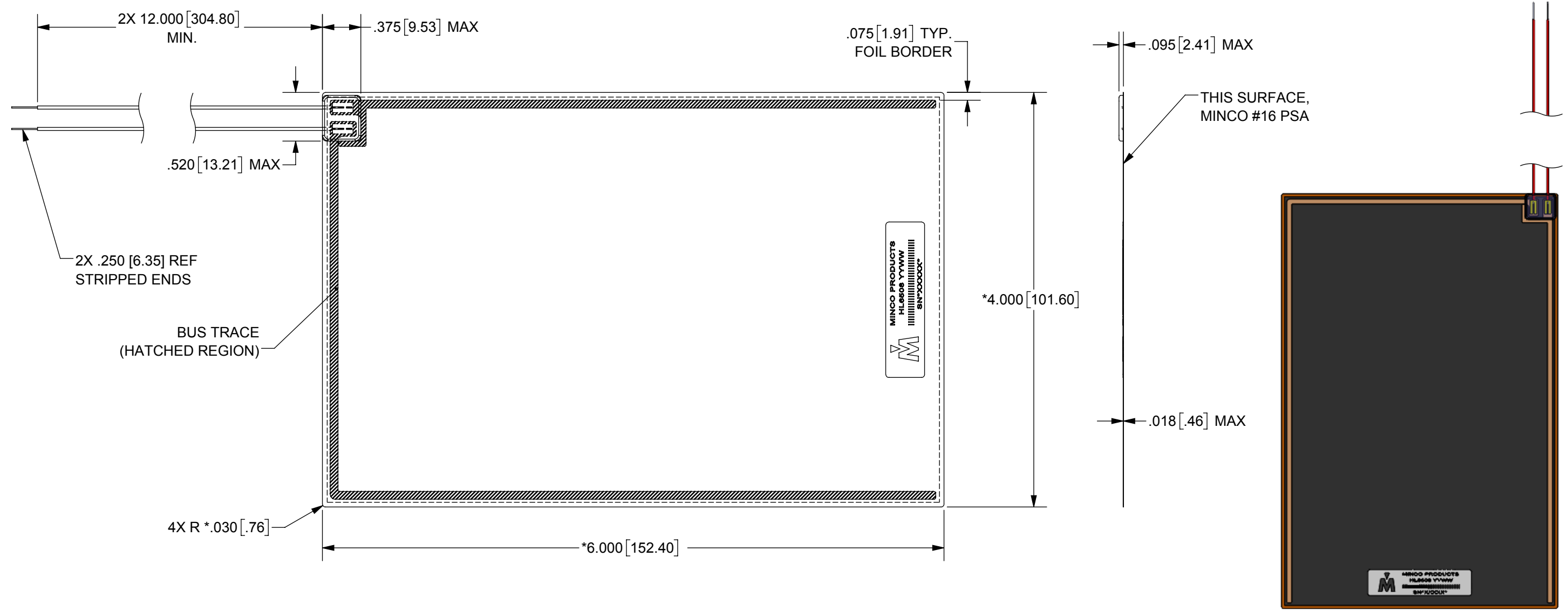


8 7 6 5 4 3 2 1

REVISIONS

REV.	DESCRIPTION	DATE	E.C.O. NUMBER	DRAFTER	ENGR
------	-------------	------	---------------	---------	------



- NOTES:
- ELEMENT: COPPER ONE SIDE, PARALLEL TRACE ARRANGEMENT.
  - HEATER NOMINAL VOLTAGE: 120V AC/DC.
  - SAFETY TEMPERATURE: 80°C.
  - NON-OPERATIONAL TEMPERATURE LIMIT: 100°C MAXIMUM.
  - LEADWIRE: AWG #24, STRANDED, RED, TEFLON INSULATED, PER NEMA HP3.
  - LEADWIRE ENCAPSULATION: UV CURE URETHANE (BLUE IN COLOR).
  - INSULATION: POLYIMIDE.
  - DIELECTRIC STRENGTH: 1200 VOLTS RMS AT 60 Hz FOR 1 SECOND MINIMUM, ELEMENT TO OUTER SURFACES.
  - DIMENSIONS PRECEDED BY \* ARE CONTROLLED BY ENGINEERING DESIGN AND TOOLING.
  - PART IS RoHS COMPLIANT.

APPLICABLE STANDARDS: ASME Y14.5M-2009: DIMENSIONING AND TOLERANCING	
<b>STANDARD TOLERANCES</b> UNLESS OTHERWISE SPECIFIED DIMENSIONS ARE IN INCHES. DIMENSIONS IN [ ] ARE MILLIMETERS	
INCH	mm
.X ±.100	X ±2.54
.XX ±.030	.X ±0.76
.XXX ±.015	.XX ±0.38
ANGLES ±2°	
ALL DIMENSIONS INCLUDE ANY SURFACE TREATMENTS.	
MATERIAL SEE NOTES	ENGINEER JDW 103022
FINISH N/A	APPROVER JDW 103022
SURFACE TREATMENTS N/A	USED ON N/A

**MINCO**  
WWW.MINCO.COM

COMPANY CONFIDENTIAL PROPRIETARY INFORMATION  
OF MINCO PRODUCTS, INC. DO NOT DUPLICATE

APPROVALS	DATE	TITLE
DRAWN MPL 103010	6/27/2016	<b>THERMOFOIL HEATER</b>
CHECKER JTS 103020	8/8/2016	
ENGINEER JDW 103022	3/01/2017	

THIRD ANGLE PROJECTION

<b>DRAWING NUMBER</b> HL6508	<b>REV/VER</b> 03
<b>DRAWING NOT TO SCALE</b>	<b>SHEET</b> 1 OF 1

**DWG SIZE B**

A

A

SOLIDWORKS

8 7 6 5 4 3 2 1