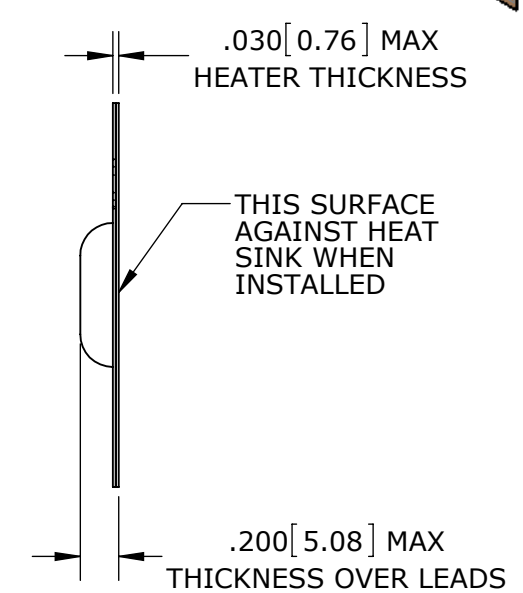
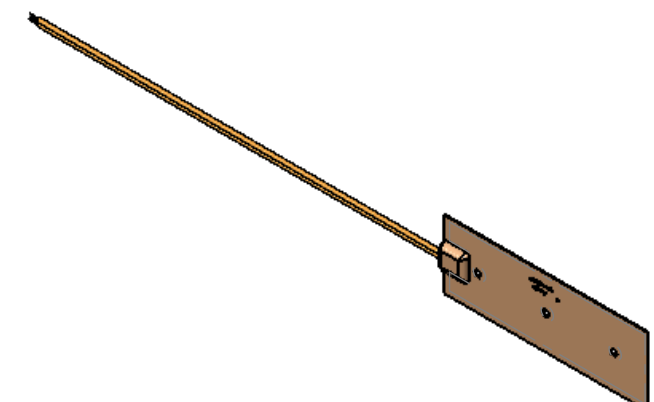
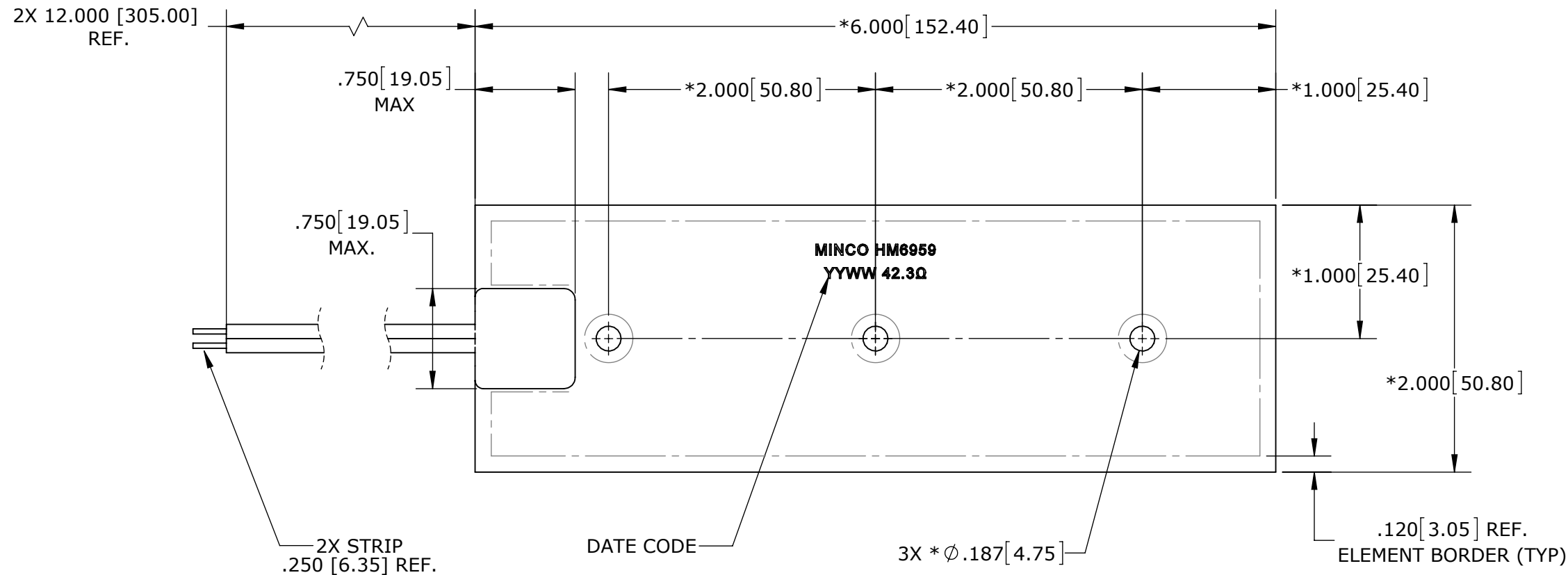


REVISIONS						
ZONE	REV.	DESCRIPTION	DATE	E.C.O. NUMBER	DRAFTER	ENGR



NOTES:

- ELEMENT: NON-INDUCTIVE PATTERN.
- HEATER RESISTANCE: 42.3±10% OHMS (46.53/38.07).
- TEMPERATURE LIMIT: 538°C MAXIMUM, AT ZERO POWER.
- DIELECTRIC STRENGTH: 1200 VOLTS RMS AT 60 Hz FOR 1 SECOND, ELEMENT TO OUTER SURFACES. 1mA. MAXIMUM LEAKAGE CURRENT.
- LEADWIRE: AWG #20, STRANDED, MICA-GLASS INSULATED PER UL5107.
- INSULATION: .010" [25.4] REF. PHLOGOPITE MICA
- HEATER IS RoHS COMPLIANT.
- DIMENSIONS PRECEDED BY \* ARE CONTROLLED BY ENGINEERING DESIGN AND TOOLING.

APPLICABLE STANDARDS:  
ASME Y14.5M-1994: DIMENSIONING AND TOLERANCING

UNLESS OTHERWISE SPECIFIED  
DIMENSIONS ARE IN INCHES  
DIMENSIONS IN [ ] ARE MILLIMETERS

ONE PLACE (.0)  
TWO PLACES (.00)  
THREE PLACES (.000) ±.030 [0.76]

ANGLES: ±2°

APPROVALS	DATE
DR MPL 103010	2/25/2013
CHK -	-
ENGR	
APR	
USED ON	

TITLE: <b>THERMOFOIL HEATER MODEL HM6959</b>		 WWW.MINCO.COM COMPANY CONFIDENTIAL PROPRIETARY INFORMATION OF MINCO PRODUCTS, INC. DO NO DUPLICATE	
DRAWING NOT TO SCALE		DWG. NO. <b>HM6959</b>	REV. -
DWG SIZE <b>B</b>	THIRD ANGLE PROJECTION	CAGE IDENT 09359	SHEET 1 OF 1