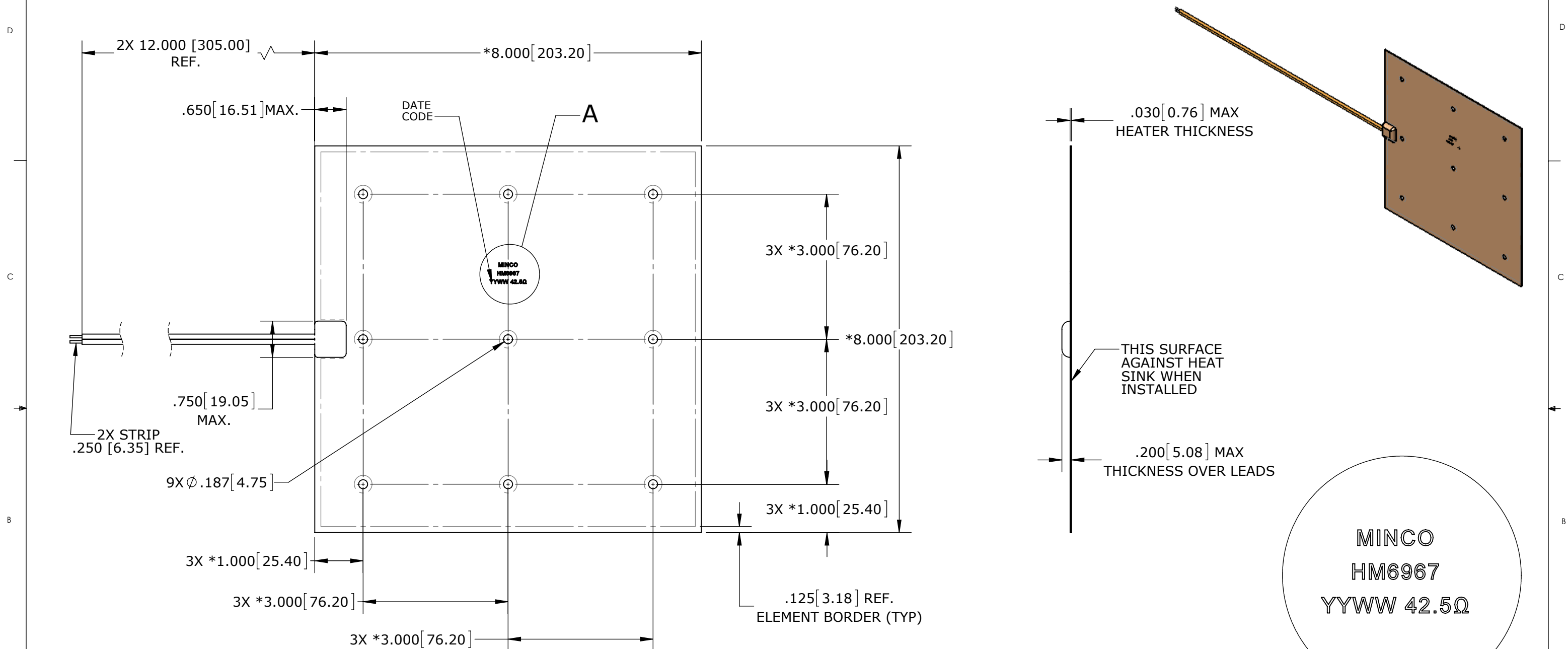


REVISIONS						
ZONE	REV.	DESCRIPTION	DATE	E.C.O. NUMBER	DRAFTER	ENGR



NOTES:

- ELEMENT: NON-INDUCTIVE PATTERN.
- HEATER RESISTANCE: $42.5 \pm 10\%$ OHMS (46.75/38.25).
- TEMPERATURE LIMIT: 538°C MAXIMUM, AT ZERO POWER.
- DIELECTRIC STRENGTH: 1200 VOLTS RMS AT 60 Hz FOR 1 SECOND, ELEMENT TO OUTER SURFACES. 4mA. MAXIMUM LEAKAGE CURRENT.
- LEADWIRE: AWG #18, STRANDED, MICA-GLASS INSULATED PER UL5107.
- INSULATION: .010" [25.4] REF. PHLOGOPITE MICA
- HEATER IS RoHS COMPLIANT.
- DIMENSIONS PRECEDED BY * ARE CONTROLLED BY ENGINEERING DESIGN AND TOOLING.

APPLICABLE STANDARDS:
ASME Y14.5M-1994: DIMENSIONING AND TOLERANCING

UNLESS OTHERWISE SPECIFIED
DIMENSIONS ARE IN INCHES
DIMENSIONS IN [] ARE MILLIMETERS

ONE PLACE (.0)
TWO PLACES (.00)
THREE PLACES (.000) $\pm .030$ [0.76]

ANGLES: $\pm 2^\circ$

APPROVALS	DATE
DR MPL 103010	2/25/2013
CHK -	-
ENGR	
APR	
USED ON	

TITLE:
**THERMOFOIL HEATER
MODEL HM6967**

DRAWING NOT TO SCALE

DWG SIZE **B** THIRD ANGLE PROJECTION

MINCO
WWW.MINCO.COM

COMPANY CONFIDENTIAL
PROPRIETARY INFORMATION OF MINCO PRODUCTS, INC.
DO NO DUPLICATE

DWG. NO. **HM6967** REV. -

CAGE IDENT 09359 SHEET 1 OF 1

DETAIL A