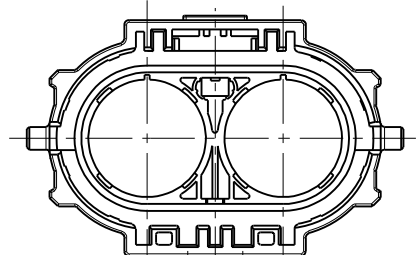


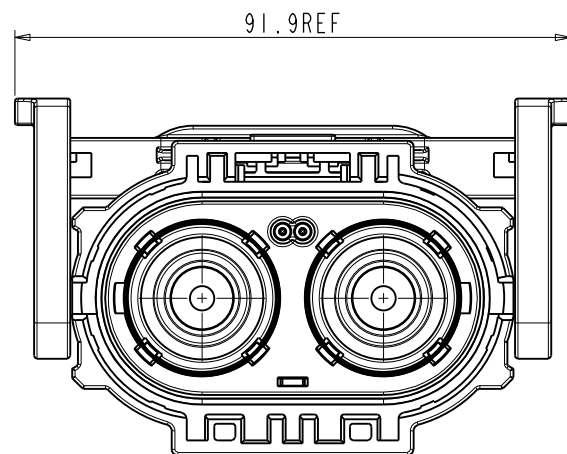
Amphenol PCDs  
ORIGINAL  
PDF Format  
R&D

REV	ECN	DESCRIPTION	DATE	MODIFIED
1		PRE- RELEASE	24/4/17	CELINE.XIE
2		INCREASE THE BOM	12/22/17	CELINE.XIE
3		CHANGE DIAGRAM	20/07/18	CELINE.XIE
4	R3472N	ADD DIMENSIONING CHILD PAETS	18/07/19	CELINE.XIE
5	C4612N	CHANGE THE KEY STRUCTURE	2020.7.29	CELINE.XIE
6	R7521W	ADJUST KEY STRUCTURE	Oct-20-2023	Calm.Zhang

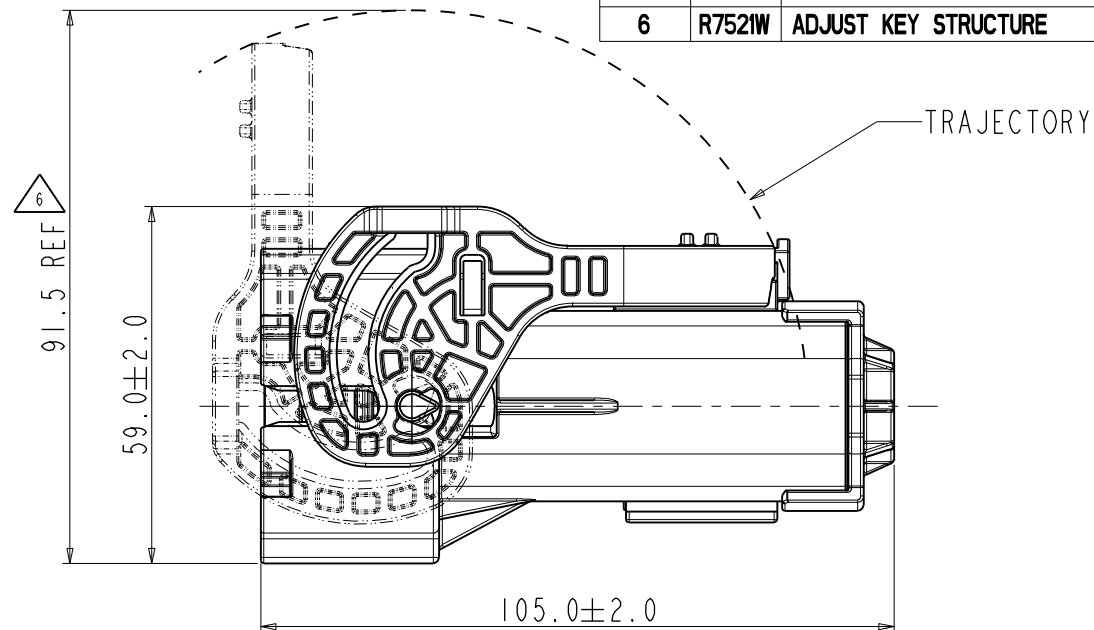


6.08±0.5 6.08±0.5

HVSL 1000 06 2 A  
CODING A



91.9 REF

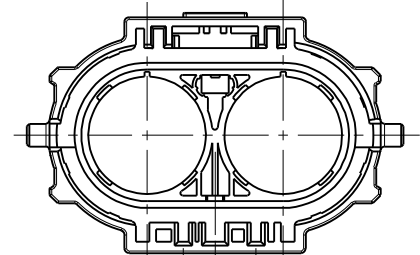


91.5 REF

59.0±2.0

105.0±2.0

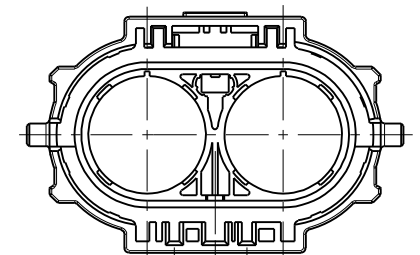
TRAJECTORY



7.0 9.0

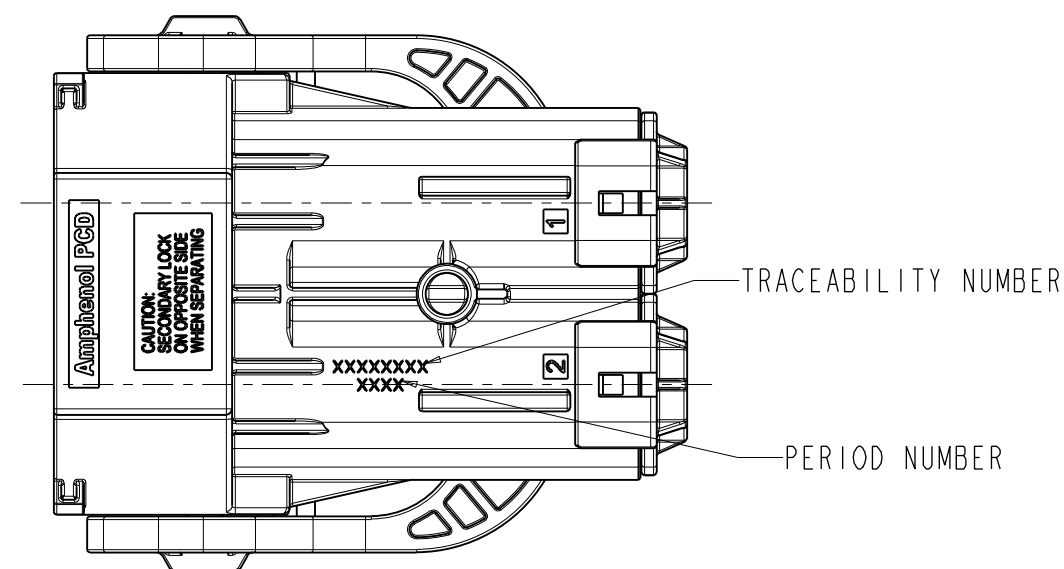
HVSL 1000 06 2 B  
CODING B

TECHNICAL DATA		RM
CURRENT RATE 25-70MM <sup>2</sup> SHIELD CABLE	25mm <sup>2</sup> : 120A @AMBIENT 70°C 35mm <sup>2</sup> : 150A @AMBIENT 70°C 50mm <sup>2</sup> : 180A @AMBIENT 70°C 70mm <sup>2</sup> : 250A @AMBIENT 70°C	+
RATING VOLTAGE (OVERVOLTAGE CATEGORY II POLLUTION DEGREE 2)	1000V DC	+
OPERRATING TEMPERATURE	-40-125°C	
DIELECTRIC WITHSTANDING VOLTAGE	3000V AC	+
INSULATION RESISTANCE	100 MΩ Min	+
DURABILITY	50 CYCLES	⊙
SHIELDING	YES	
WATERPRROF (MATED CONDITION)	IP67&IP6K9K	+
PROTECTION LEVEL	IP2XB	+
AMBIENT TEMPERATURE	40-70°C	
RoHS & REACH	YES	+



9.0 7.0

HVSL 1000 06 2 C  
CODING C



CAUTION:  
SECONDARY LOCK  
ON OPPOSITE SIDE  
WHEN SEPARATING

XXXXXXXXXX  
XXXX

TRACEABILITY NUMBER

PERIOD NUMBER

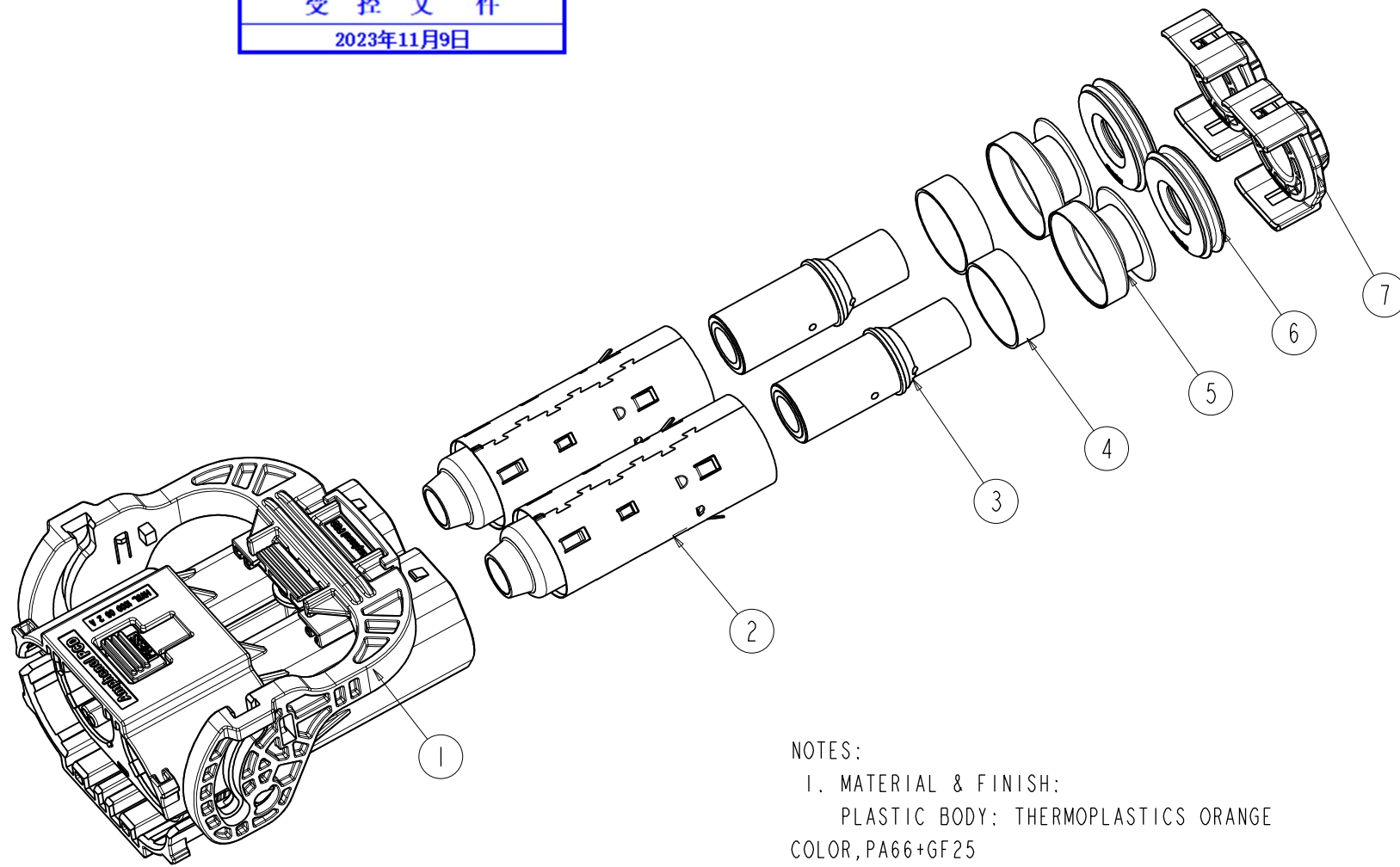
TITLE		REV	
Amphenol PCD Shenzhen		HVSL 1000 06 2 X	
ENGR LEON.YANG 25/4/17		STRAIGHT PLUG ASSEMBLY	
SIZE A3	DWG NO. C-HVSL1000062XXXX	6	
SCALE: 1:1		SHEET 1 OF 2	

DIMENSIONS	TOLERANCES	PROJECTION
ANSI Y14.5M	.X ±0.5	
UNITS: MM	.XX ±0.05	
Pro/E FILE	ANGLES ±2°	
ORIGINAL	THIS DOCUMENT CONTAINS PROPRIETARY INFORMATION WHICH IS THE CONFIDENTIAL PROPERTY OF Amphenol PCD Shenzhen Co. Ltd Amphenol PCD Shenzhen Co. Ltd RESERVES THE RIGHT TO CLARIFY THIS DRAWING	
	CHKD <i>Lin</i>	APPD <i>Sentao</i>

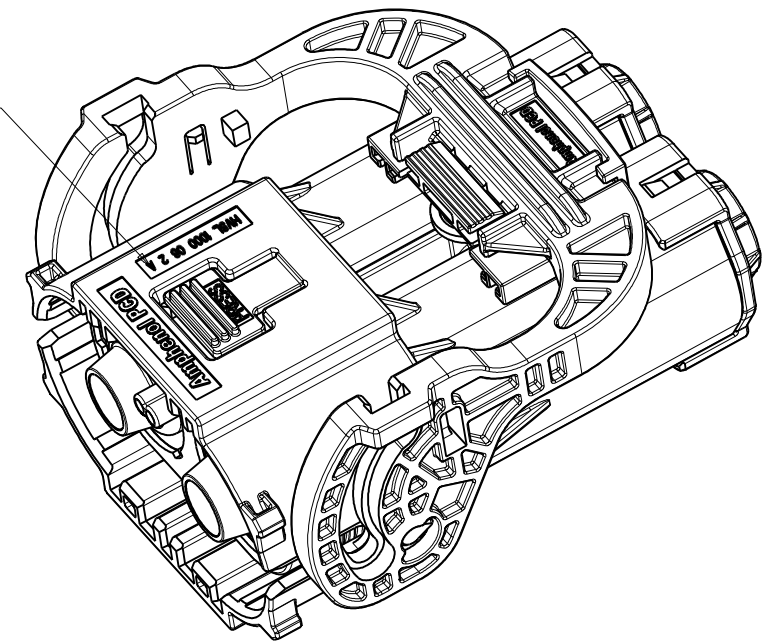
+ CRITICAL CHARACTERISTIC MARKS/关键特性符号

⊙ IMPORTANT CHARACTERISTIC MARKS/重要特性符号

C-HVSL1000062XXXX



KEY NUMBER



NOTES:

1. MATERIAL & FINISH:  
 PLASTIC BODY: THERMOPLASTICS ORANGE  
 COLOR, PA66+GF25  
 POWER CONTACT: COPPER ALLOY SILVER PLATED  
 HVIL CONTACTS: COPPER ALLOY GOLD PLATED  
 SEAL RING: S1
2. HVIL PIN FOR CABLE DIAMETER: 0.5mm<sup>2</sup>
3. PART NUMBER DESCRIPTION:

HVSL1000062 XX XX



BOM LIST:

ITEM	P/N	Q'ty	DESCRIPTION
7	SEE TABLE 2	2	END CAP
6	SEE TABLE 2	2	CABLE SEAL
5	SEE TABLE 2	2	OUT FERRULE
4	C200003617	2	INNER FERRULE
3	SEE TABLE 2	2	SOCKRT CONTACT BODY
2	C631003619	2	SHIELDING COMPONENT
1	SEE TABLE 1	1	MAIN BODY & WITH HVIL

TABLE 1:

KEY & HVIL CODE	DESCRIPTION	I# PART
A1	A KEY, WITH HVIL	HVSL1000062A1
B1	B KEY, WITH HVIL	HVSL1000062B1
C1	C KEY, WITH HVIL	HVSL1000062C1
A0	A KEY, WITHOUT HVIL	HVSL1000062A0
B0	B KEY, WITHOUT HVIL	HVSL1000062B0
C0	C KEY, WITHOUT HVIL	HVSL1000062C0

TABLE 2:

CABLE CODE	DESCRIPTION	3# PART	5# PART	6# PART	7# PART
70	70MM <sup>2</sup> CABLE, OD=19.0±0.3MM	C4200036161	C2000036141	C2700036044	C2200037254
50	50MM <sup>2</sup> CABLE, OD=16.5±0.3MM	C4200036162	C2000036142	C2700036041	C2200037251
35	35MM <sup>2</sup> CABLE, OD=14.2±0.3MM	C4200036163	C2000036143	C2700036042	C2200037252
25	25MM <sup>2</sup> CABLE, OD=11.9±0.3MM	C4200036164	C2000036144	C2700036043	C2200037253

SIZE <b>A3</b>	DWG NO. <b>C-HVSL1000062XXXX</b>	REV <b>6</b>
SCALE: 1:1		SHEET 2 OF 2