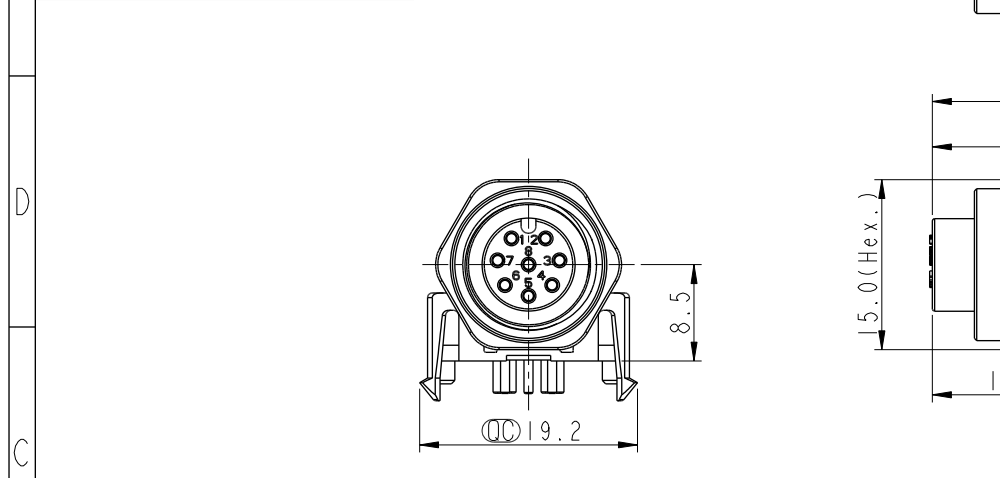
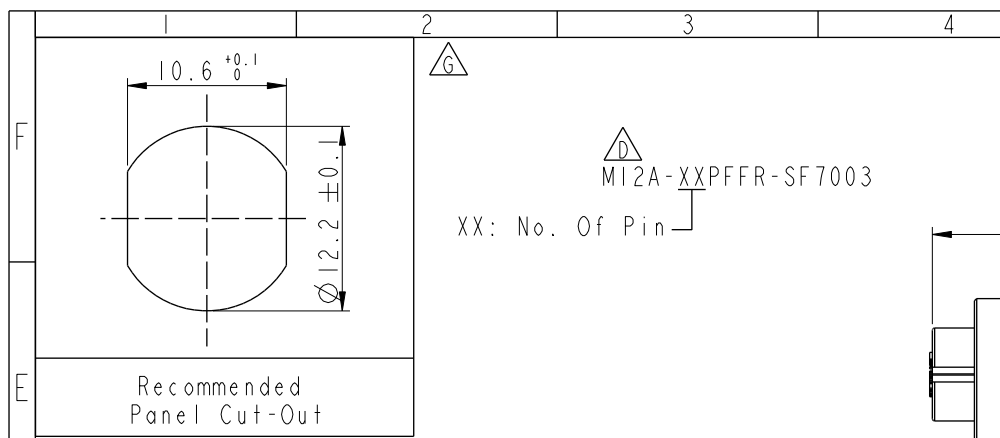
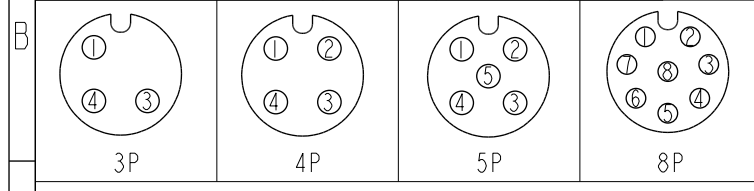


THIS DOCUMENT IS SUBJECT TO CHANGE WITHOUT NOTICE. IT IS CONFIDENTIAL AND A PROPERTY OF Amphenol LTW. DISCLOSURE TO THIRD PARTY HAS TO BE AUTHORIZED BY Amphenol LTW.

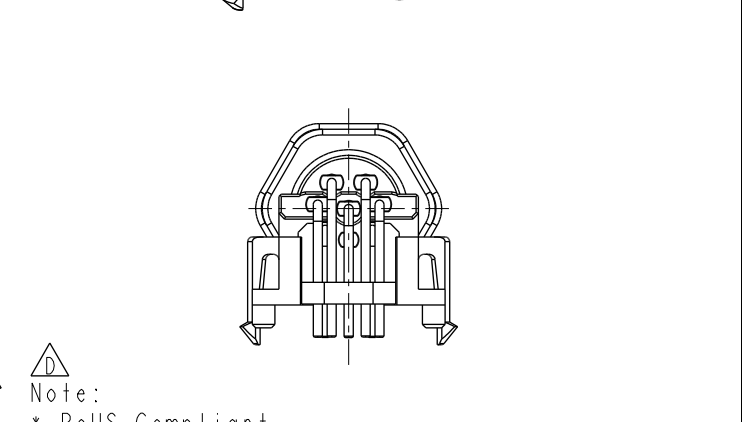
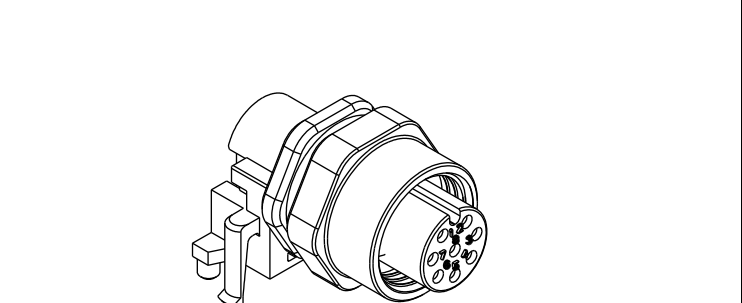
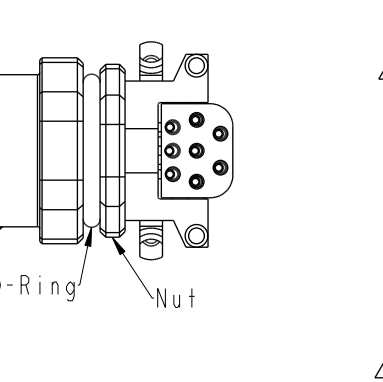
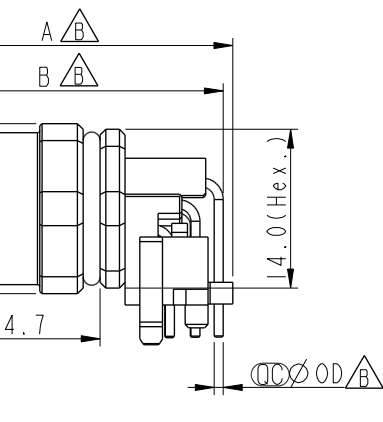
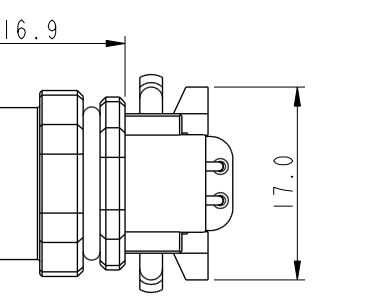
REV.	ECN NO.	DATE	SIGN	DESCRIPTION
F	C220593	2022/04/12	Jiahe Lin	F XI
G	C221694	2022/11/01	Arvin Chan	G XI
H	C221973	2022/12/21	Ruru	H XI



Item No.	A	B	OD
MI2A-03PFFR-SF7003	26.6	25.5	1.0
MI2A-04PFFR-SF7003	26.6	25.5	1.0
MI2A-05PFFR-SF7003	26.6	25.5	1.0
MI2A-08PFFR-SF7003	26.4	25.7	0.8



UNIT: mm		TITLE	
TOLERANCE		N SEN, MI2 A, SCREW RECEPTACLE, F, F, PCB R	
.X	±0.25	SCALE	3:2
.XX	±0.1	SIZE	A4
.XXX	±0.05	SHEET	1 OF 2
ANGLES	±1°	REV.	H
		WC-REV.	A.3
		☉: Inspection item	



- Note:
- * RoHS Compliant
 - * ☉ Important dimension
 - * Waterprooff rate: IP67, mated Connector
 - Housing: Thermoplastic, Black
 - Pin: Copper alloy, Gold plated
 - O-Ring1: Rubber, Gray
 - O-Ring2: Rubber, Gray
 - Nut: Metal
 - * Nut: Metal
 - * O-Ring: Rubber, Gray
 - * For panel thickness max: 3.0mm
 - * For pcb thickness max: 1.6mm
 - * Connector nut is packed separately in pe bag

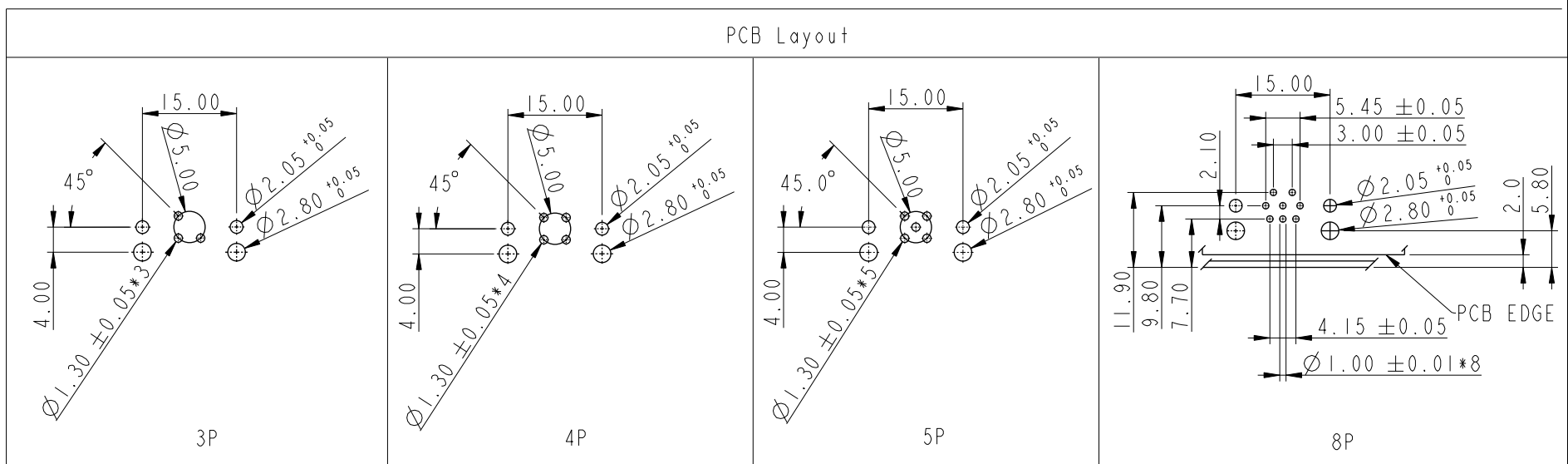
Amphenol LTW		ITEM NO.	DRAWN BY	DATE
安費諾亮泰企業股份有限公司		DWG NO.	Su Nan	2019-03-21
		M12A-XXPFFR-SF7003	CHECKED BY	DATE
			Feng	2019-03-21
		CUSTOMER	APPROVED BY	DATE
		ALTW	Jerry	2019-03-21

THIS DOCUMENT IS SUBJECT TO CHANGE WITHOUT NOTICE. IT IS CONFIDENTIAL AND A PROPERTY OF Amphenol LTW. DISCLOSURE TO THIRD PARTY HAS TO BE AUTHORIZED BY Amphenol LTW.

1 2 3 4 5 6 7 8

F
E
D
C
B
A

PCB Layout



UNIT: mm		
TOLERANCE	.X	±0.25
	.XX	±0.1
	.XXX	±0.05
ANGLES		±1°

TITLE N SEN, M12 A, SCREW RECEPTACLE, F, F, PCB R			
SCALE	3:2	SIZE	A4
		SHEET	2 OF 2
REV.	H	WC-REV.	A.3
☉: Inspection item			

Amphenol LTW
安費諾亮泰企業股份有限公司

ITEM NO	
DWG NO	M12A-XXPFFR-SF7003
CUSTOMER	ALTW

DRAWN BY	Su Nan
CHECKED BY	Feng
APPROVED BY	Jerry

DATE	2019-03-21
DATE	2019-03-21
DATE	2019-03-21

2 3 4 5 6 7 8 W10814-03-001A2