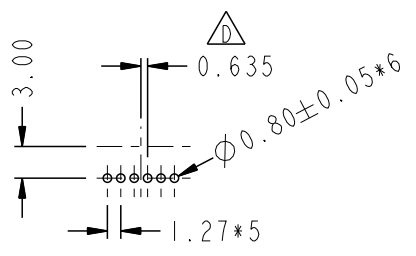
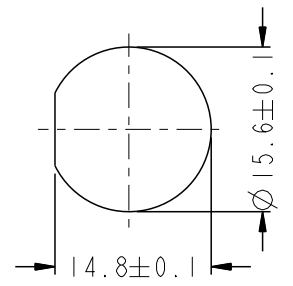


THIS DOCUMENT IS SUBJECT TO CHANGE WITHOUT NOTICE. IT IS CONFIDENTIAL AND A PROPERTY OF Amphenol LTW. DISCLOSURE TO THIRD PARTY HAS TO BE AUTHORIZED BY Amphenol LTW.

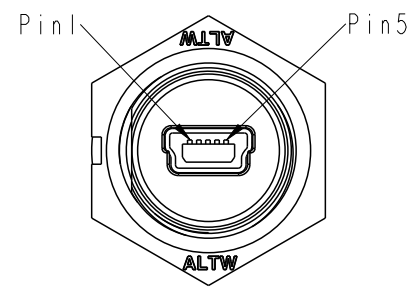
REV.	ECN NO.	DATE	SIGN	DESCRIPTION
D	LEN-8B0687	2008/11/24	TOMMY	ADD DIMENSION
E	LEN14B0005	2014/10/31	Jinhai	ADD DIMENSION
F	C200823	2020/06/15	Angel Chou	$\triangle F$ X I



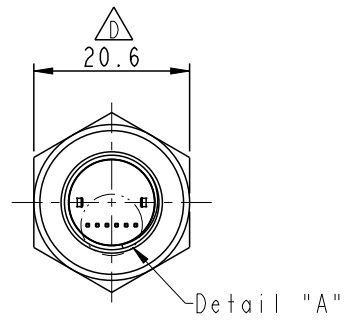
PCB Layout



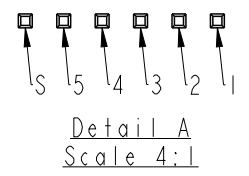
Recommended Panel Cut-Out



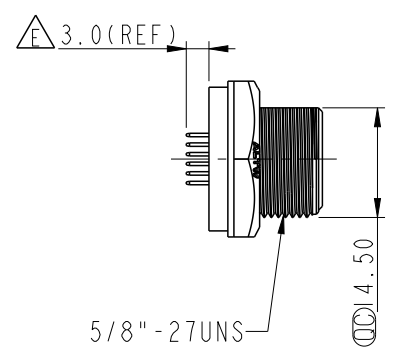
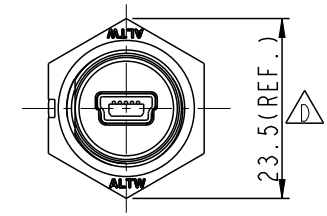
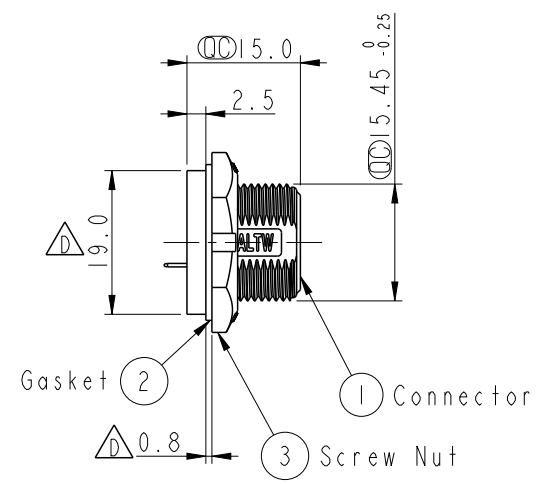
Pin Assignments
Front View 前視圖



Detail "A"



Detail A
Scale 4:1



Note:

- * \textcircled{D} Important Dimension.
- * Waterproof Rate: IP67
- * Housing: Nylon+GF
- * Screw Nut: Nylon+GF
- * Gasket: EPDM
- * Connector: Mini USB Dip Type
- * Wafer: 1.27mm Pitch
- $\triangle C$ * Use with waterproof cap or dust cap
For Panel Thickness Max: 1.3mm
- $\triangle C$ * Use without waterproof cap or dust cap
For Panel Thickness Max: 2.5mm
- $\triangle F$ * Gasket and Nut are packed separately
in PE bags.

UNIT:mm		
TOLERANCE	.X ±0.25	
.XX ±0.1		
.XXX ±0.05		
ANGLES	±1°	

TITLE Mini USB Panel 180°			
SCALE 1:1	SIZE A4	SHEET 1 OF 1	
REV. F	WC-REV. A.4	\textcircled{C} : Inspection item	

Amphenol LTW
安費諾亮泰企業股份有限公司

ITEM NO. NUB-20PMFP-SC7001	DRAWN BY Jinhai	DATE 2014-10-31
DWG NO. NUB-20PMFP-SC7001	CHECKED BY Tom	DATE 2014-10-31
CUSTOMER ALTW	APPROVED BY Jerry	DATE 2014-10-31