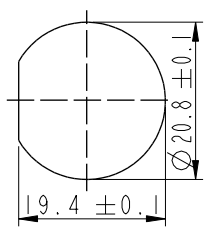
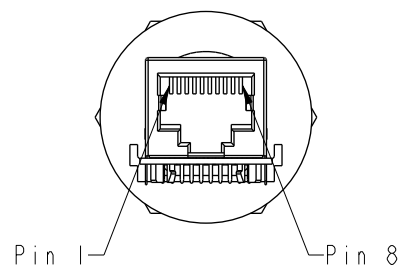
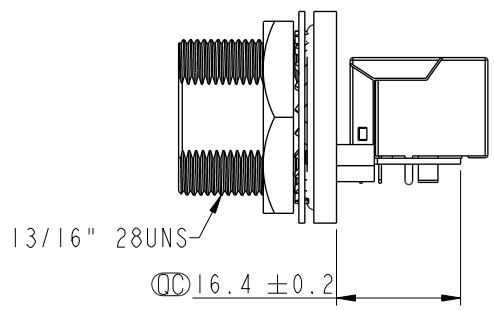
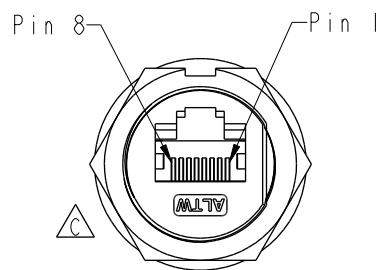
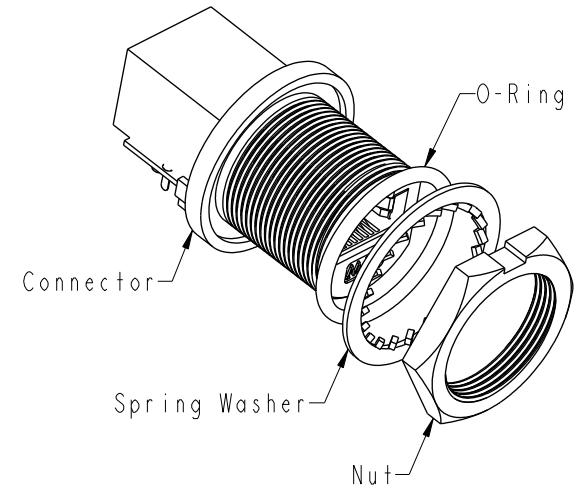
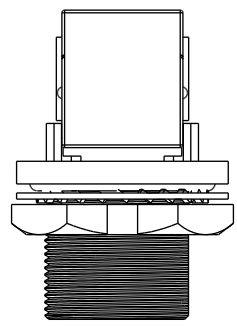


THIS DOCUMENT IS SUBJECT TO CHANGE WITHOUT NOTICE. IT IS CONFIDENTIAL AND A PROPERTY OF AMPHENOL LTW. DISCLOSURE TO THIRD PARTY HAS TO BE AUTHORIZED BY AMPHENOL LTW.

REV.	ECN NO.	DATE	SIGN	DESCRIPTION
D	C190405	2019/03/18	Ruru	Modify Note
E	C220801	2022/06/07	Vicky	△E X2
F	C230221	2023/02/20	Ruru	△E X2



Recommended Panel Cut-Out

- △D△E Note:
- * RoHS Compliant
 - * Ⓞ Important dimension
 - △F * Waterproof rate: IP67, unmated
 - * Connector
 - Housing: Metal, RJ45 jack, shielded
 - * Nut: Metal
 - * Spring Washer: Metal
 - * O-Ring: Rubber, Gray-Black
 - △B * Use with waterproof cap or dust cap
 - Panel thickness max: 3.0mm
 - △B * Use without waterproof cap or dust cap
 - Panel thickness max: 4.2mm
 - △F * Nut and washer are packed separately in pe bag

UNIT: mm			TITLE RJ, C METAL, C5E SHLD FRONT FASTENED, F, PNL JACK S, SCREW
TOLERANCE .X ±0.25 .XX ±0.1 .XXX ±0.05 ANGLES ±1°	SCALE 1:1	SIZE A4	SHEET 1 OF 1
REV. F	WC-REV. A.8	Ⓞ: Inspection item	

Amphenol LTW
安費諾亮泰企業股份有限公司

ITEM NO RCM-5SPFFH-SCU7001	DRAWN BY Ruru	DATE 2019-03-18
DWG NO RCM-5SPFFH-SCU7001	CHECKED BY Rita	DATE 2019-03-18
CUSTOMER ALTW	APPROVED BY Max	DATE 2019-03-18