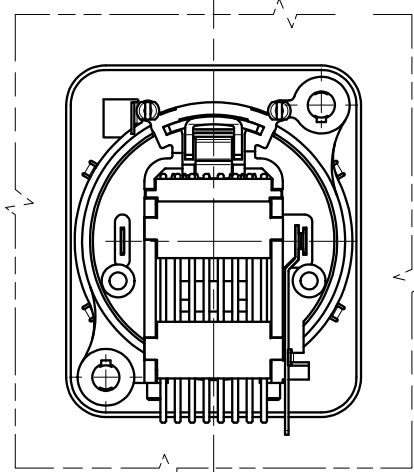
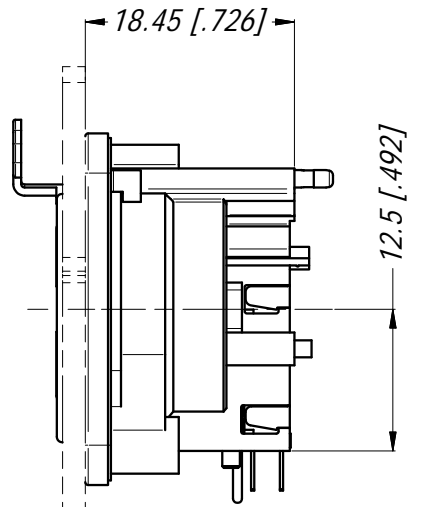
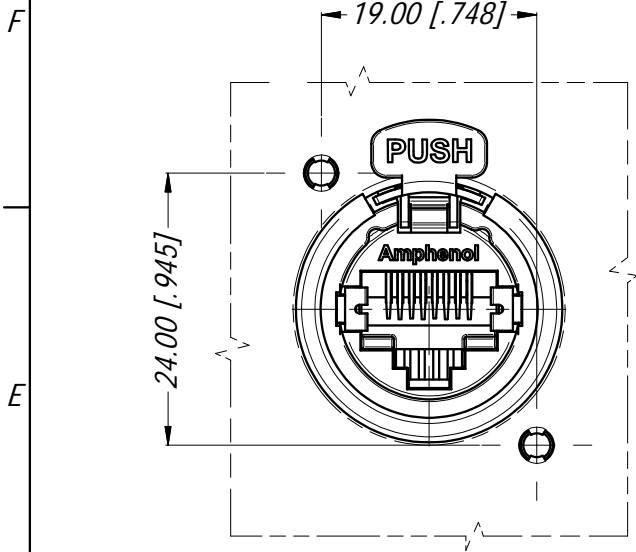
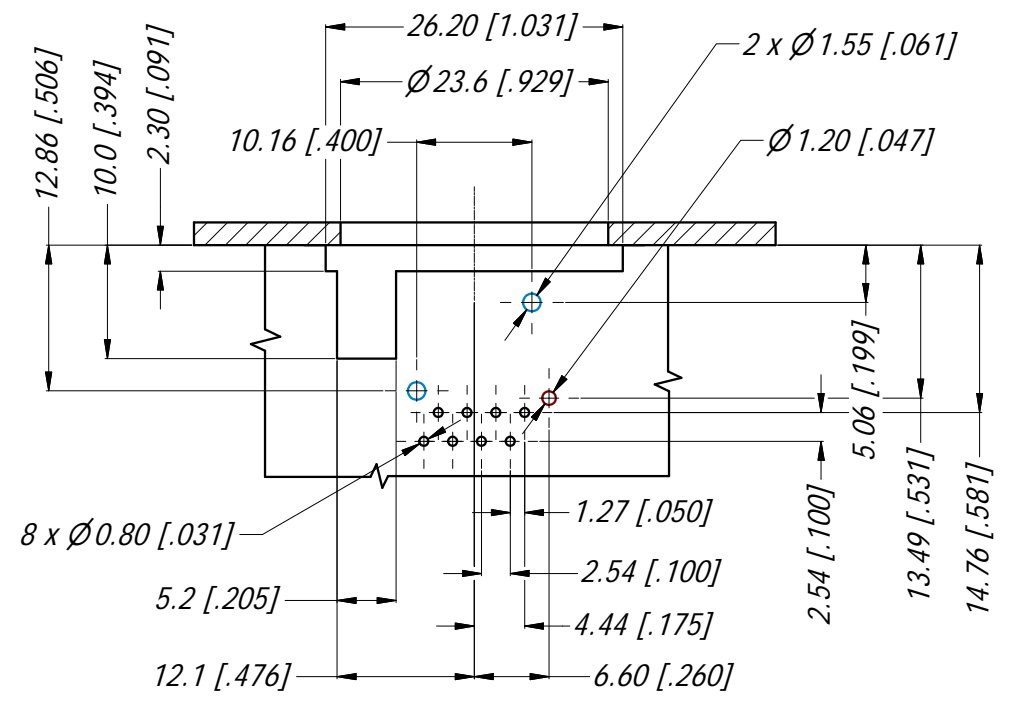


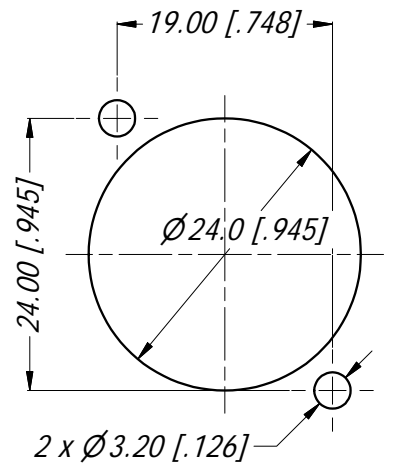
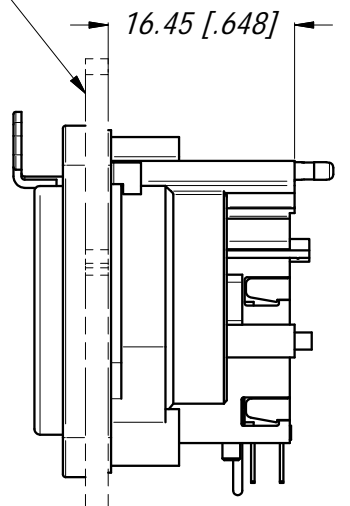
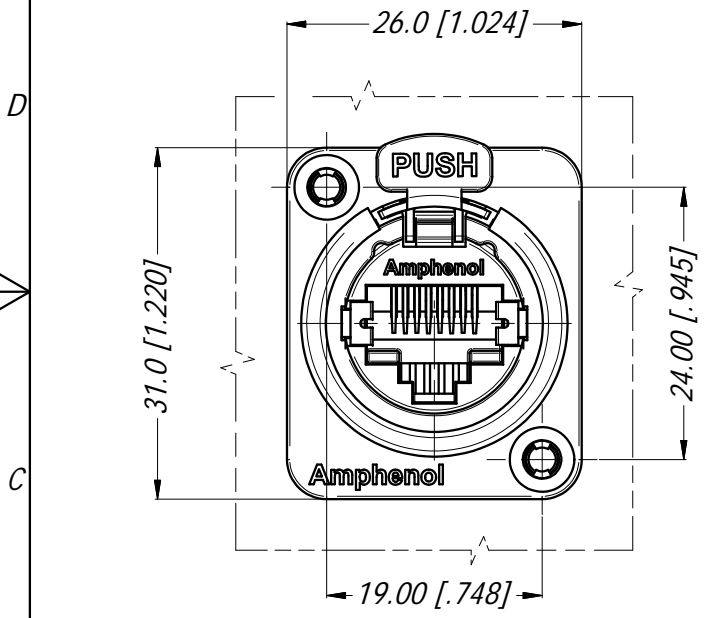
6 5 4 3 2 1



FRONT PANEL  
METAL FLANGE ASSEMBLED AT PANEL REAR SIDE

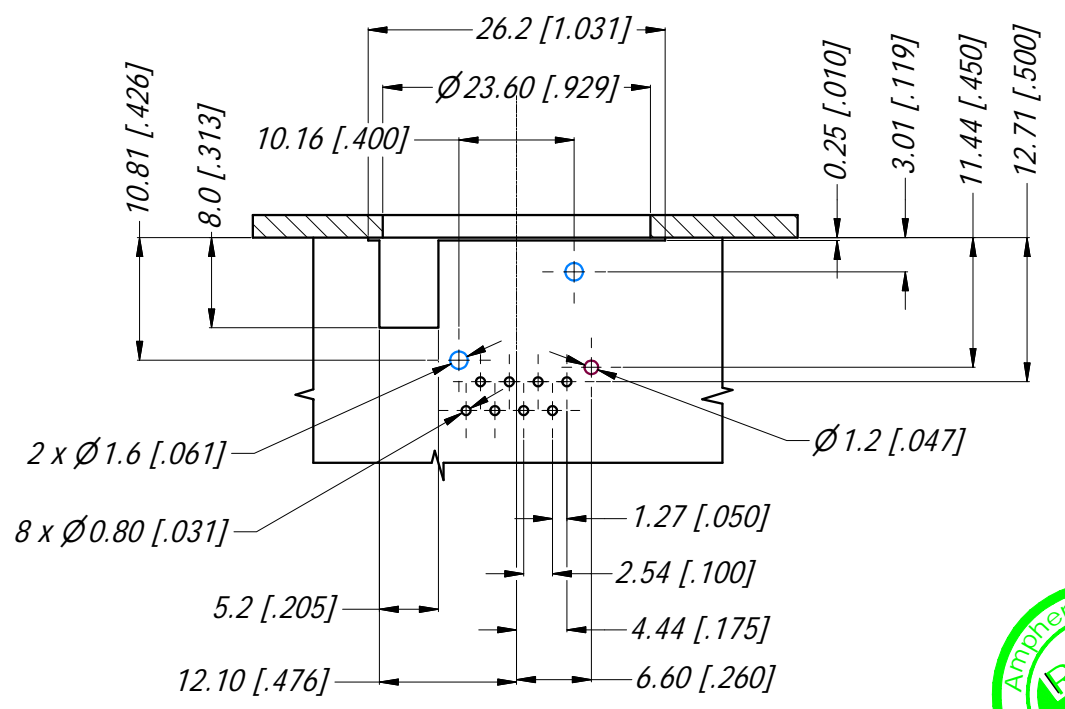


PCB LAYOUT  
FLANGE ASSEMBLED AT PANEL REAR SIDE  
(CONNECTOR TOP VIEW)

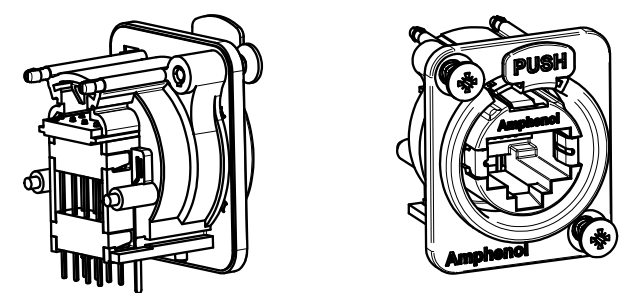


PANEL CUT OUT  
3:2  
(CONNECTOR FRONT VIEW)

METAL FLANGE ASSEMBLED AT PANEL FRONT SIDE



PCB LAYOUT  
FLANGE ASSEMBLED AT PANEL FRONT SIDE  
(CONNECTOR TOP VIEW)



3D VIEW  
1:1

**SPECIFICATIONS:**  
**1. MATERIALS:**  
 - PLASTIC INSERT & HOUSING: HIGH TEMPERATURE THERMOPLASTIC FLAMMABILITY RATING UL94V-0 DSM Stanyl, 30% BLACK  
 - FRONT METAL SHELL: ZINC ALLOY ZAMAK 3, NICKEL PLATE.  
 - CONTACTS: PHOSPHORE BRONZE, 1.27 µm GOLD PLATE ON MATING SURFACES, 1.27 µm NICKEL MIN UNDERPLATE. 3.81 µm MIN MATTE TIN ON CONTACT TAILS.  
 - LATCH LOCK AND SPRING: SPRING STEEL, NICKEL PLATE.  
 - EMI/RFI HOOD: BRASS, TIN PLATE  
**2. ELECTRICAL CHARACTERISTICS:**  
 - RATED VOLTAGE: 125 VAC  
 - TYPICAL CONTACT RESISTANCE: 20 mOhm  
 - INSULATION RESISTANCE: >500 MOhm  
 - DIELECTRIC STRENGTH: 1000 VAC, 60 SECONDS  
 - TRANSMISSION SPECIFICATION/CLASS: COMPLIES WITH CAT5e 1000 BASE-T OR CLASS D 10/100  
 BASE -T PER EIA-568-C.2 AND ISO 11801  
 - PoE+ COMPLIES WITH 802.3at Type 2

**TABLE OF PART NUMBERS**

PART No.	TRANSMISSION CLASS
RJX8FD5HB	CAT5e
RJX8FD3HB	CLASS D

UNLESS OTHERWISE SPECIFIED TOLERANCE TO BE

LINEAR	ANGULAR
X ± 0.5	X' ± 1
X.X ± 0.1	X.X' ± 30'
X.X ± 0.05	X.X' ± 15'

BREAK ALL SHARP EDGES AND REMOVE ALL BURRS

DO NOT SCALE

DIMENSIONS IN MILLIMETRES

THIS DOCUMENT IS THE PROPERTY OF AMPHENOL AUSTRALIA PTY. LTD. NO PART THEREOF MAY BE REPRODUCED AND USED WITHOUT THE PRIOR WRITTEN CONSENT OF THE OWNER.

MATERIAL: REFER SPECIFICATION

FINISH:

DRN: T.N DATE: 05/03/14

CKD: P.M DATE: 05/03/14

APP'D: P.M DATE: 06/03/14

SCALE: 3:2 SIZE: A3

**Amphenol** Amphenol Australia Pty.Ltd, 20 Industry Blvd, Carrum Downs VIC 3201 Australia

TITLE: XLRnet CONNECTOR D TYPE - HORIZONTAL CUSTOMER DRAWING

PART No: REFER TO TABLE OF PART NUMBERS 55010958-000

REV 1 SHEET 1/1



6 5 4 3 2 1