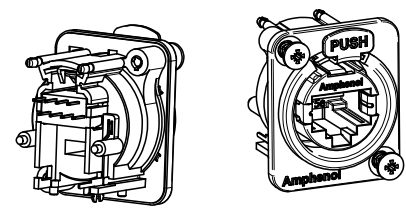
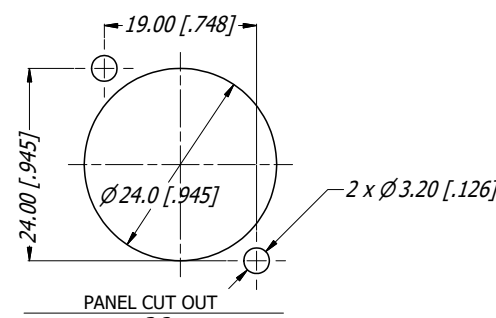


PCB LAYOUT  
3:2  
(CONNECTOR REAR VIEW)

- RJ45 CONTACTS
- RJ45 SHELL GROUND CONTACT
- CONNECTOR LOCATION PINS



3D VIEW  
1:1



PANEL CUT OUT  
3:2  
(CONNECTOR FRONT VIEW)

**SPECIFICATIONS:**

**1. MATERIALS:**

- PLASTIC INSERT & HOUSING: HIGH TEMPERATURE THERMOPLASTIC FLAMMABILITY RATING UL94V-0 DSM Stanyl, 30% BLACK
- FRONT METAL SHELL: ZINC ALLOY ZAMAK 3, NICKEL PLATE.
- CONTACTS: PHOSPHORE BRONZE, 1.27 µm GOLD PLATE ON MATING SURFACES, 1.27 µm NICKEL MIN UNDERPLATE. 3.81 µm MIN MATTE TIN ON CONTACT TAILS.
- LATCH LOCK AND SPRING: SPRING STEEL, NICKEL PLATE.
- EMI/RFI HOOD: BRASS, TIN PLATE

**2. ELECTRICAL CHARACTERISTICS:**

- RATED VOLTAGE: 125 VAC
- TYPICAL CONTACT RESISTANCE: 20 mOhm
- INSULATION RESISTANCE: >500 MOhm
- DIELECTRIC STRENGTH: 1000 VAC, 60 SECONDS
- TRANSMISSION SPECIFICATION/CLASS: COMPLIES WITH CAT6, CAT5e 1000 BASE-T OR CLASS D 10/100 BASE-T PERTIA/ EIA-568B AND ISO 11801
- PoE+ COMPLIES WITH 802.3at Type 2



TABLE OF PART NUMBERS		
PART NUMBER	TRANSMISSION CLASS	FRONT SHELL FINISH
RJX8FD6VB	CAT6	NICKEL
RJX8FD5VB	CAT5e	NICKEL
RJX8FE5VB	CAT5e	BLACK
RJX8FD3VB	CLASS D	NICKEL
RJX8FE3VB	CLASS D	BLACK

UNLESS OTHERWISE SPECIFIED TOLERANCE TO BE		THIS DOCUMENT IS THE PROPERTY OF AMPHENOL AUSTRALIA PTY. LTD. NO PART THEREOF MAY BE REPRODUCED AND USED WITHOUT THE PRIOR WRITTEN CONSENT OF THE OWNER.			
LINEAR	ANGULAR	MATERIAL:		DRN:	T.N
X ± 0.5	X' ± 1	REFER SPECIFICATION		DATE:	06/03/14
X.X ± 0.1	X.X' ± 30°	DO NOT SCALE		CKD:	P.M
X.X ± 0.05	X.XX' ± 15°	FINISH:		APP'D:	P.M
DIMENSIONS IN MILLIMETRES		THIRD ANGLE PROJECTION		DATE:	06/03/14
		SCALE: 3:2		SIZE:	A3

**Amphenol** Amphenol Australia Pty.Ltd, 22 Industry Blvd, Carrum Downs VIC 3201 Australia

**XLRnet CONNECTOR D TYPE VERTICAL CUSTOMER DRAWING**

PART No: **REFER TO TABLE OF PART NUMBERS** 55010959-000

REV **3** SHEET **1/1**