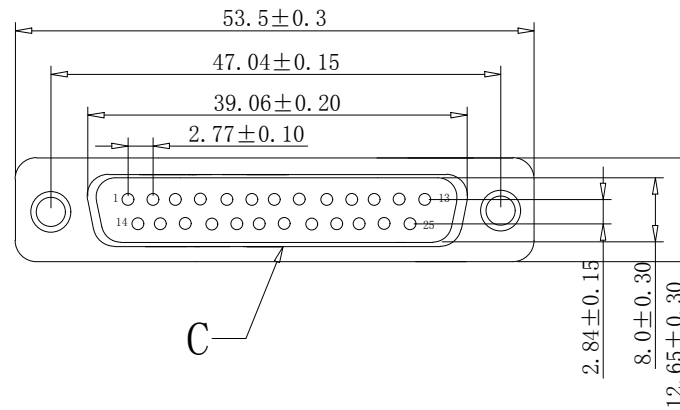
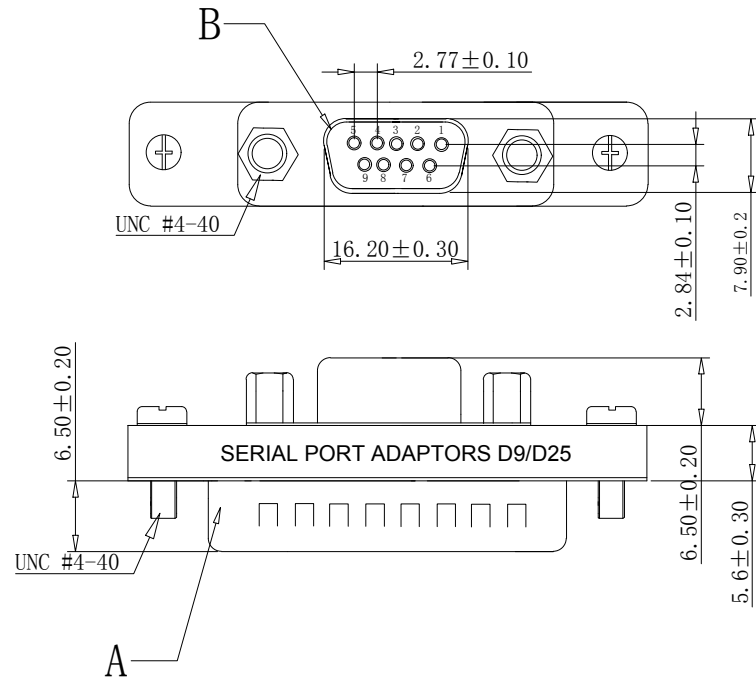


Serial Adapter, 9-Pin Socket to 25-Pin Plug



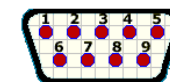
NOTES:
 ELECTRICAL CHARACTER:
 1.100% OPEN&SHORTTESTING.
 2.ROHS and REACH COMPLIANT.
 3. Where the tolerance is not indicated, the tolerance is +/- 0.2
 4.connector connection method: soldering.
 5.THIS PRODUCT INCLUDED THE RAW MATERIAL:

PE - Gold-plated copper
 nickel plated Iron shell

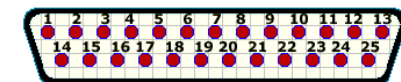
PIN ASSIGNMENT

| DB9F | DB25M |
|------|-------|
| 1 | 8 |
| 2 | 3 |
| 3 | 2 |
| 4 | 20 |
| 5 | 7 |
| 6 | 6 |
| 7 | 4 |
| 8 | 5 |
| 9 | 22 |
| G | G |

COM Port Pinouts



COM1 (DB-9)



COM2 (DB-25)

- | | |
|-----------------------------|------------------------------|
| 1 Data Carrier Detect (DCD) | 2 Transmit Data (TD) |
| 2 Receive Data (RD) | 3 Receive Data (RD) |
| 3 Transmit Data (TD) | 4 Request to Send (RTS) |
| 4 Data Terminal Ready (DTR) | 5 Clear to Send (CTS) |
| 5 Signal Ground | 6 Data Set Ready (DSR) |
| 6 Data Set Ready (DSR) | 7 Signal Ground |
| 7 Request to Send (RTS) | 8 Data Carrier Detect (DCD) |
| 8 Clear to Send (CTS) | 20 Data Terminal Ready (DTR) |
| 9 Ring Indicator (RI) | 22 Ring Indicator (RI) |

| NO | ITEM | DESCRIPTION | COMPONENT |
|----|-------------|--------------------------|-----------|
| C | CONNECTOR 2 | DB25 Male | |
| B | CONNECTOR 1 | DB9 Female | |
| A | HOUSING | nickel plated Iron shell | |

Art. Nr.

RND 205-00929