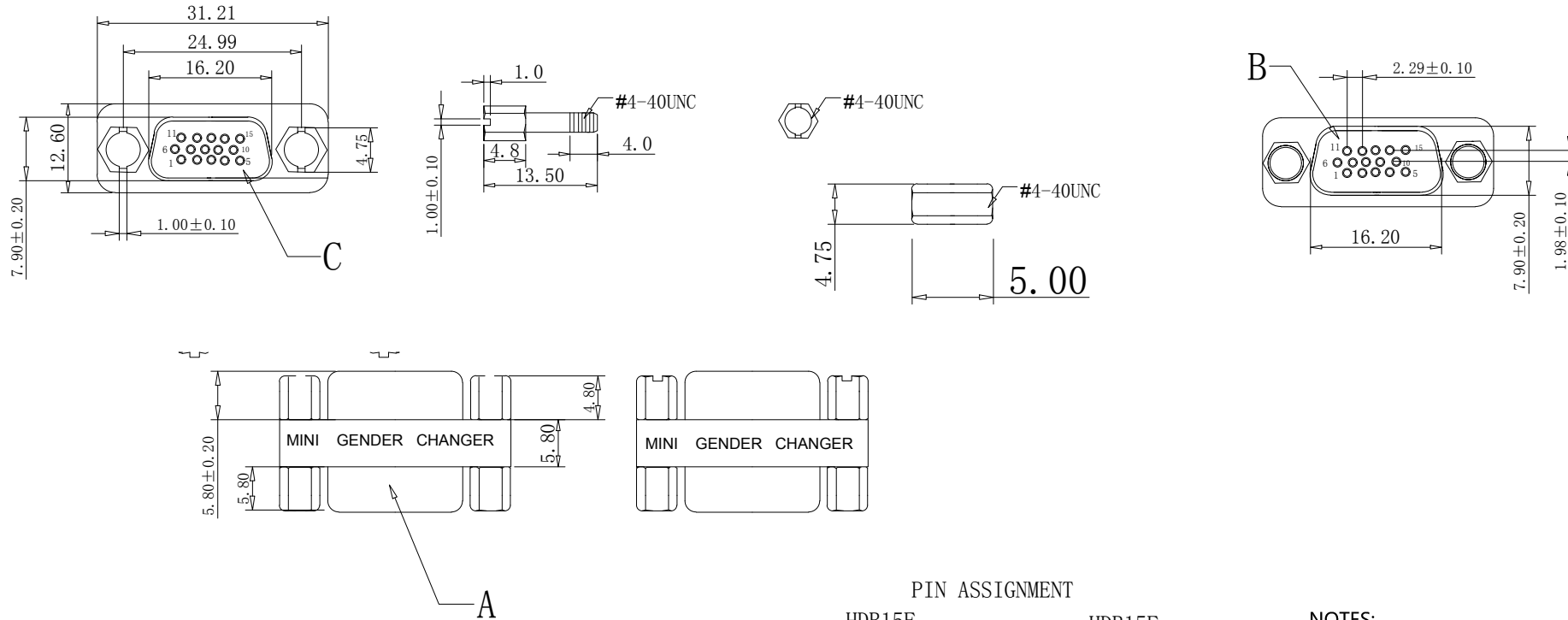


# Mini Gender Changer, HDB15 Socket to HDB15 Socket



PIN ASSIGNMENT

HDB15F	HDB15F
1	1
2	2
3	3
4	4
5	5
6	6
7	7
...	...
14	14
15	15
G	G

NOTES:  
 ELECTRICAL CHARACTER:  
 1.100% OPEN&SHORTTESTING.  
 2.ROHS and REACH COMPLIANT.  
 3. Where the tolerance is not indicated,  
 the tolerance is +/- 0.2  
 4.connector connection method: soldering.  
 5.THIS PRODUCT INCLUDED THE RAW  
 MATERIAL:

PE ~ Gold-plated copper  
 nickel plated Iron shell

NO	ITEM	DESCRIPTION	COMPONENT
C	CONNECTOR 2	HDB15 Female	
B	CONNECTOR 1	HDB15 Female	
A	HOUSING	nickel plated Iron shell	

Art. Nr.  
 RND 205-00934