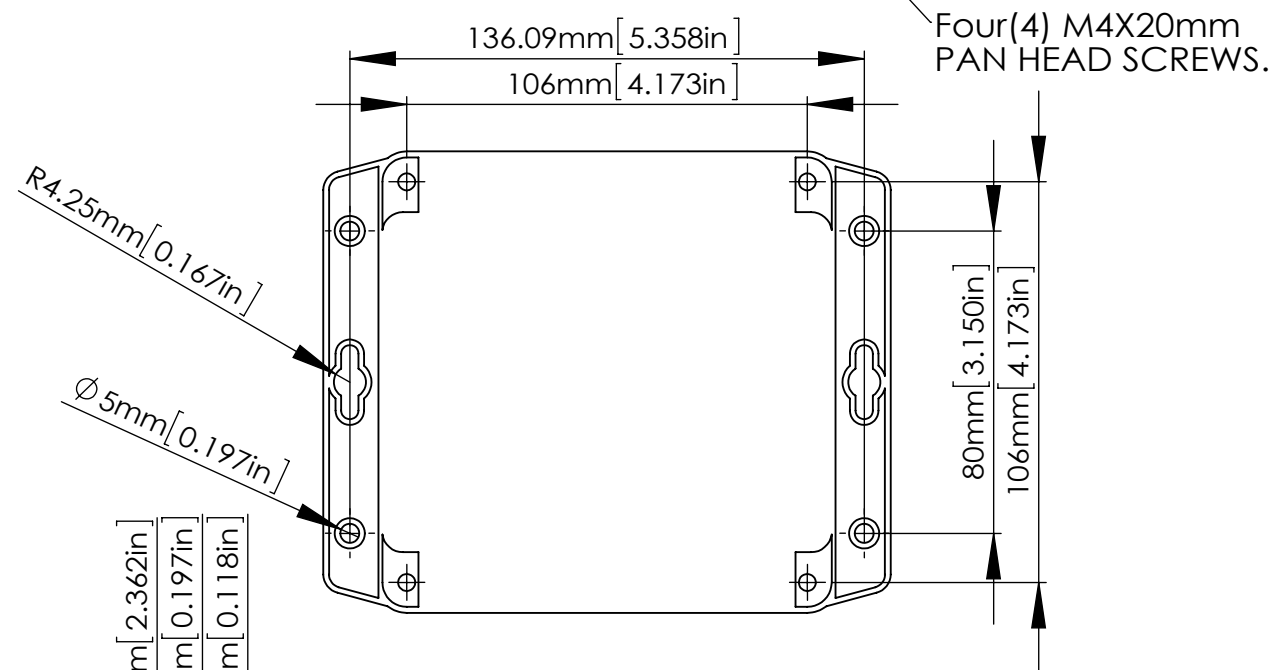
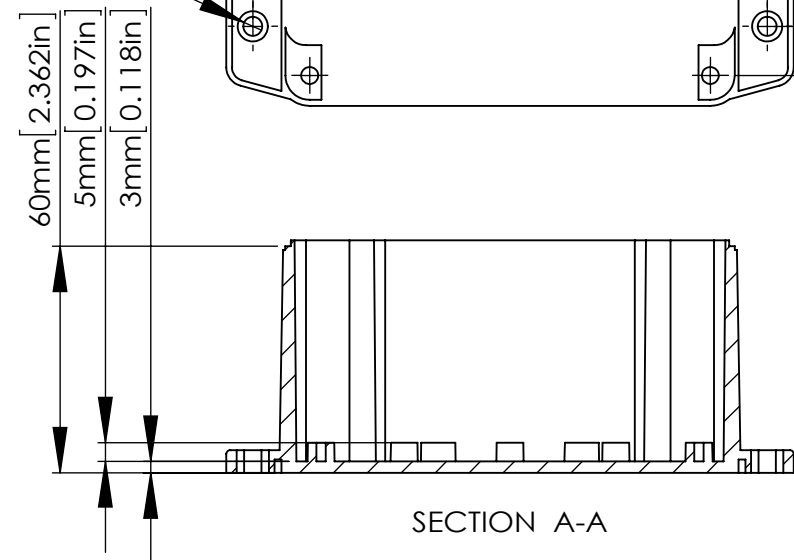


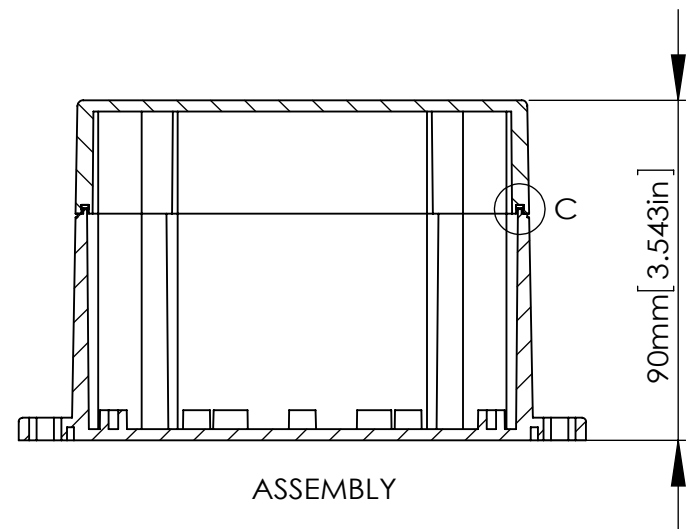
SECTION B-B



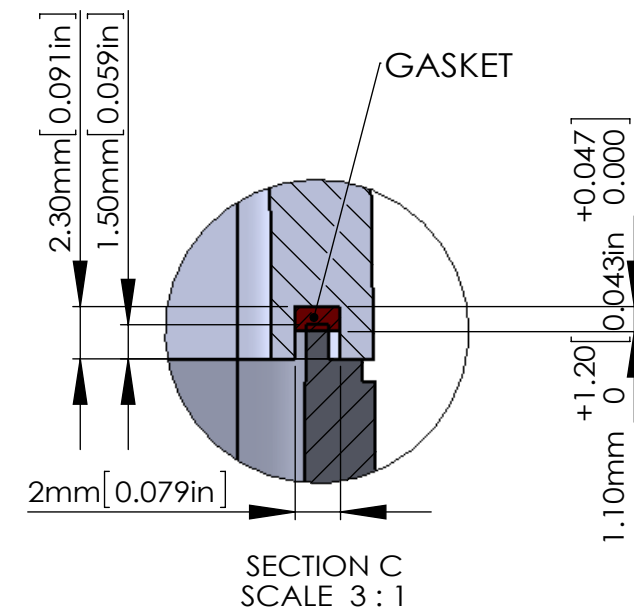
Four(4) M4X20mm PAN HEAD SCREWS.



SECTION A-A



ASSEMBLY



SECTION C
SCALE 3:1

According to ISO 2768-m	
Measuring DIM=L	Tolerances
0.5<L≤3.0mm	±0.1mm
3.0<L≤6.0 mm	±0.1mm
6.0<L≤30.0 mm	±0.2mm
30.0<L≤120.0 mm	±0.3mm
120.0<L≤400.0 mm	±0.5mm
400.0<L≤1000.0 mm	±0.8mm