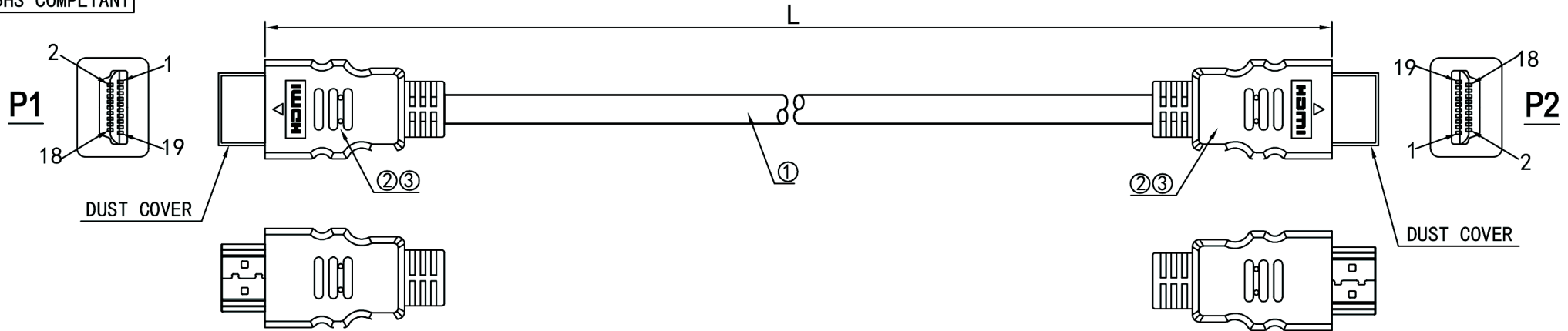


RoHS COMPLIANT



NOTES:

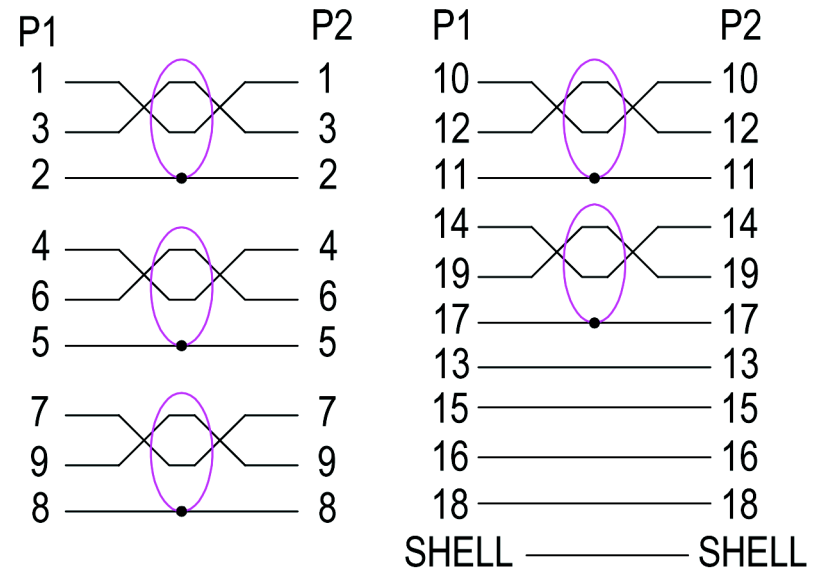
1. CABLE :UL20276 (30AWG*1P+EAM)*5+30AWG*4C
+AEB(CU WIRE, AM BRAID) OD=6.0MM JACKET:PVC BLACK;
High Speed HDMI™ Cable with Ethernet
2. CONN:HDMI A/M INSULATION:BLACK, SHELL NICKEL-PLATED;
3. OUTER MOLD:PVC 45P BLACK;

ELECTRICAL TEST:

1. 100% TEST OPEN SHORT MIS-WIRE;
2. INSULATION RESISTANCE:2M OHM MIN;

ITEM NO	L(MM)	T(MM)	HEAD SIZE	LABEL	INNER CTN	OUT CTN
11.04.5541	1000	+50/-0	205*166MM	LABEL1	10PCS/INNER CTN, (SIZE:17*12.5*23.5CM)	40PCS/OUT CTN (0.8':36*26.5*25CM)
11.04.5542	2000	+50/-0	205*166MM	LABEL2	10PCS/INNER CTN, (SIZE:21*15.8*20.5CM)	40PCS/OUT CTN (1.2':44*33*22CM)
11.04.5543	3000	+50/-0	205*166MM	LABEL3	10PCS/INNER CTN, (SIZE:21*15.8*20.5CM)	40PCS/OUT CTN (1.2':44*33*22CM)

WIRE ADDRESS



Company	Rotronic	Goods Code		Draw	FC038 ZYF	Date	2012-03-30	Rotronic. Co., Ltd	D		
ITEM NO	11.04.554X		Drawing Evidence:	Check		Date			C		
Goods NO				Approval		Date			B		
original NO.		Unit (MM)							VER. A	REVISE	Date



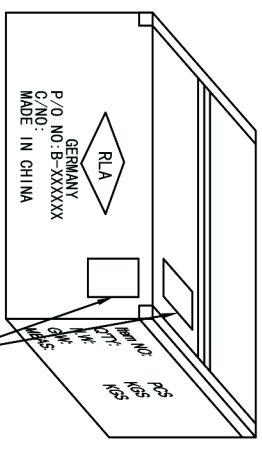
STICKER (LABEL 1)



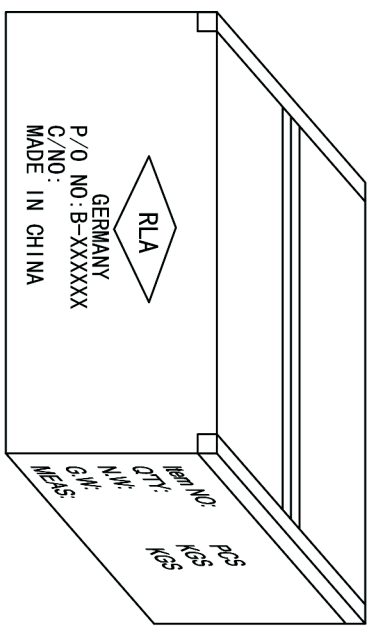
STICKER (LABEL 2)



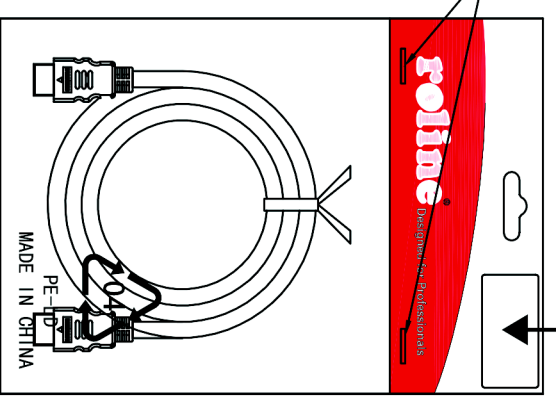
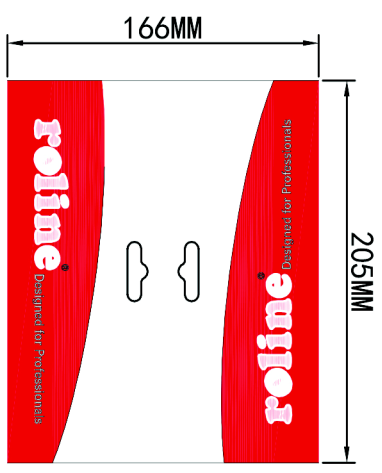
STICKER (LABEL 3)



包装箱贴纸 (贴内箱)
 条码朝外 (客供)



纸箱尺寸见第一张图画表格!



STICKER

1PCS/PE BAG (200*300*0.06MM) +HEAD+STICKER
 +10PCS/ INNER CTN+40PCS/CTN

Company	Rotronic	Goods Code	11.04.554X	Drawing Evidence:	Draw	FC038 ZVF	Date	2012-03-30	Rotronic, Co., Ltd	D	
ITEM NO					Check		Date			C	
Goods NO					Approval		Date			B	
original NO.		Unit (MM)							VER. A	REVISE	Date