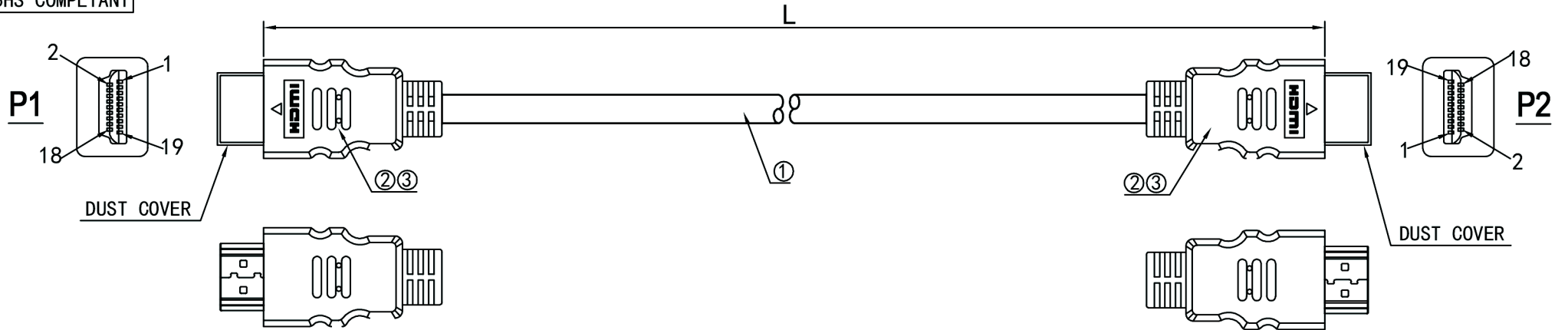


RoHS COMPLIANT



NOTES:

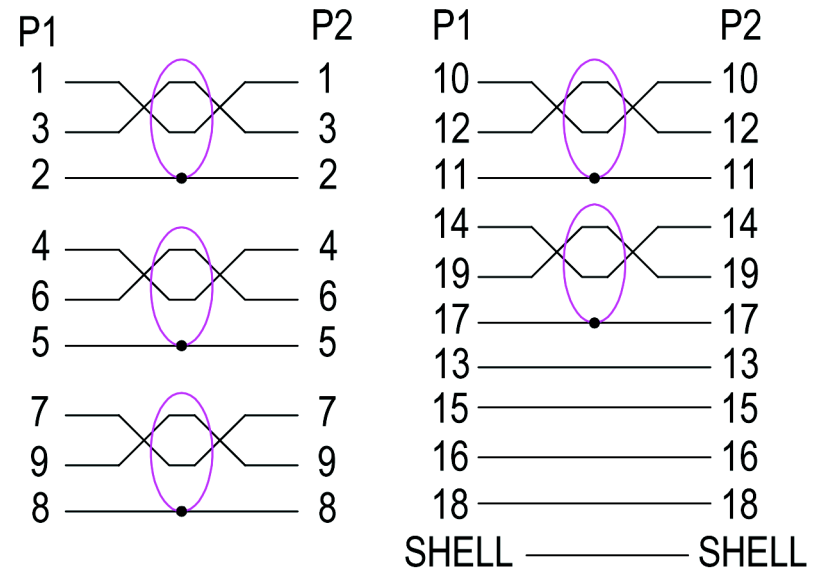
1. CABLE : UL20276 (30AWG*1P+EAM) *5+30AWG*4C
+AEB(CU WIRE, AM BRAID) OD=6.0MM JACKET:PVC BLACK;
High Speed HDMI™ Cable with Ethernet
2. CONN:HDMI A/M INSULATION:BLACK, SHELL NICKEL-PLATED;
3. OUTER MOLD:PVC 45P BLACK;

ELECTRICAL TEST:

1. 100% TEST OPEN SHORT MIS-WIRE;
2. INSULATION RESISTANCE:2M OHM MIN;

| ITEM NO | L(MM) | T(MM) | HEAD SIZE | LABEL | INNER CTN | OUT CTN |
|------------|-------|--------|-----------|--------|---|--------------------------------------|
| 11.04.5541 | 1000 | +50/-0 | 205*166MM | LABEL1 | 10PCS/INNER CTN, (SIZE:17*12.5*23.5CM) | 40PCS/OUT CTN (0.8':36*26.5*25CM) |
| 11.04.5542 | 2000 | +50/-0 | 205*166MM | LABEL2 | 10PCS/INNER CTN, (SIZE:21*15.8*20.5CM) | 40PCS/OUT CTN (1.2':44*33*22CM) |
| 11.04.5543 | 3000 | +50/-0 | 205*166MM | LABEL3 | 10PCS/INNER CTN, (SIZE:21*15.8*20.5CM) | 40PCS/OUT CTN (1.2':44*33*22CM) |

WIRE ADDRESS



| | | | | | | | | | | | |
|--------------|------------|------------|-------------------|----------|-----------|------|------------|--------------------|--------|--------|------|
| Company | Rotronic | Goods Code | | Draw | FC038 ZYF | Date | 2012-03-30 | Rotronic. Co., Ltd | D | | |
| ITEM NO | 11.04.554X | | Drawing Evidence: | Check | | Date | | | C | | |
| Goods NO | | | | Approval | | Date | | | B | | |
| original NO. | | Unit (MM) | | | | | | | VER. A | REVISE | Date |

