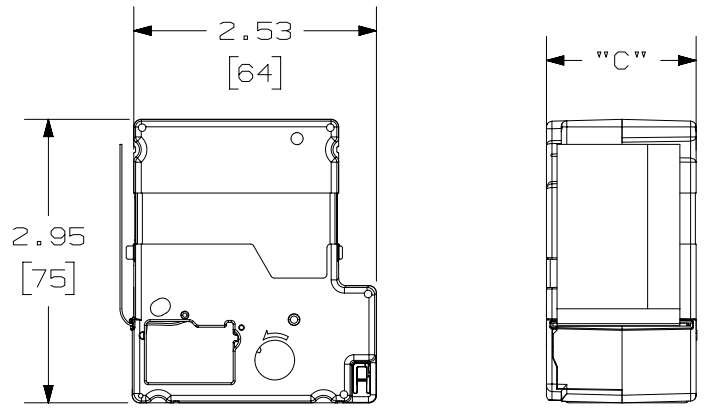
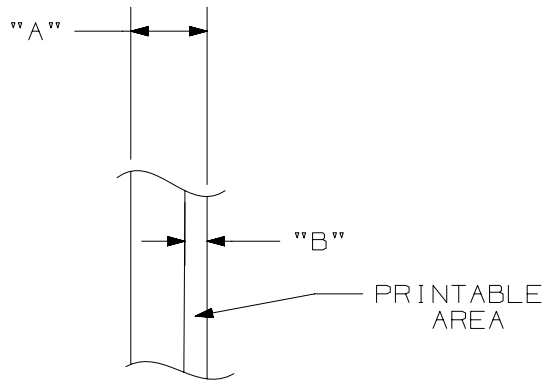


2

1

THIS COPY IS PROVIDED ON A RESTRICTED BASIS AND IS NOT TO BE USED IN ANY WAY DETRIMENTAL TO THE INTERESTS OF PANDUIT CORP.

CASSETTE PART NO.	TAPE WIDTH "A" +/- 0.05[+/-1.3]	PRINTABLE WIDTH "B" +/- 0.05[+/-1.3]	CASSETTE WIDTH "C"	ROLL LENGTH
S000X100VAM	0.945 [24.0]	.315 [8.0] REF	1.10 [27.9] REF	26' MIN
S000X150VAM	1.417 [36.0]	.512 [13.0] REF	1.56 [39.6] REF	8 METER MIN



PART NUMBER		MP printer Self-lam continuous tape		
TITLE		MP Self-Lam Continuous Tape		
		CUSTOMER DRAWING		
ITEM REVISION NAME		I00743XU/00		
DATASET FILE NAME		I00743XU_DC/00		
		THIRD ANGLE PROJECTION		
MATERIAL		GMV21		
		DRAWING NUMBER I00743XU_DC		
00	04/27/20	JSUN	JSUN	RKB INITIAL RELEASE
080316				
REV	DATE	BY	CHK	APR DESCRIPTION
				ECN
JSUN	04/27/2020	JSUN	NONE	SHEET 1 OF 1
				A

2

1

A-SIZE CUSTOMER