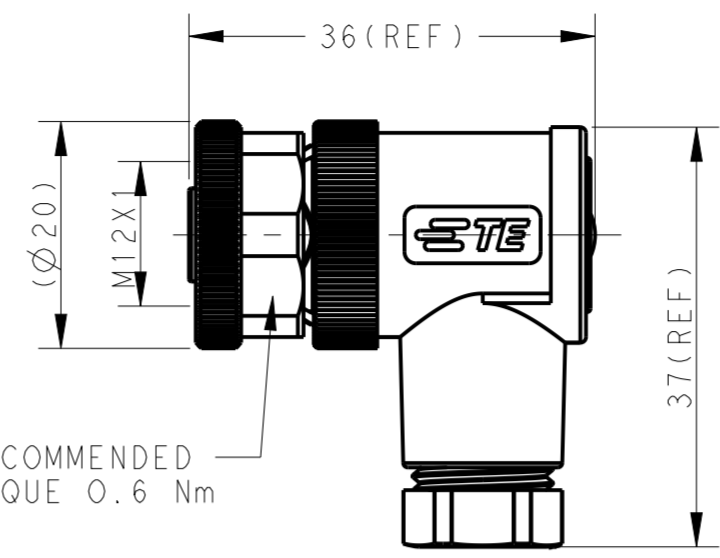
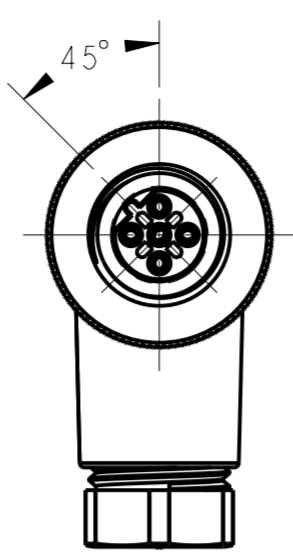


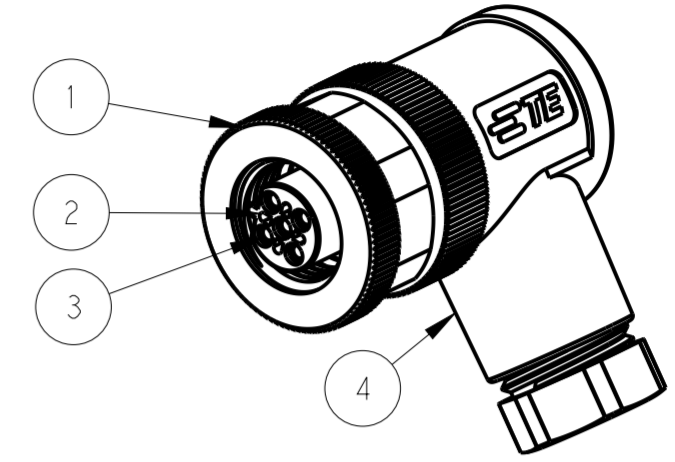
THIS DRAWING IS UNPUBLISHED. RELEASED FOR PUBLICATION 20  
 © COPYRIGHT 20 BY - ALL RIGHTS RESERVED.

REVISIONS					
P	LTR	DESCRIPTION	DATE	DWN	APVD
A		INITIAL RELEASE	27JUL2015	NP	XX
A1		ECR-15-018715 ADD 114 SPEC.	29DEC2015	NP	XX
A2		ECR-20-012708 ADD MODEL PG9	22SEP2020	S.C	C.W

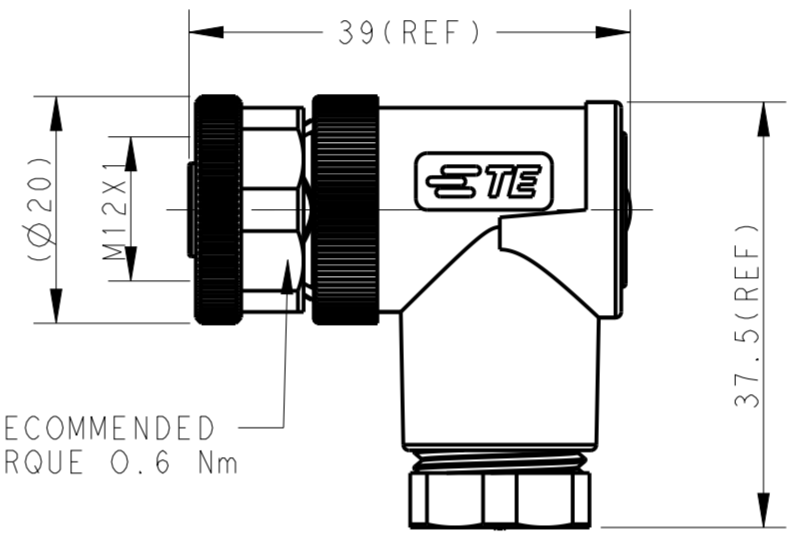
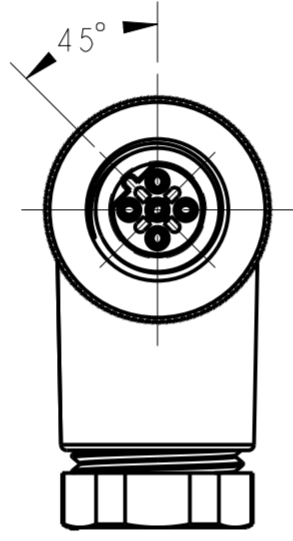


SW18 RECOMMENDED TORQUE 0.6 Nm

PG7 SCALE 3:2

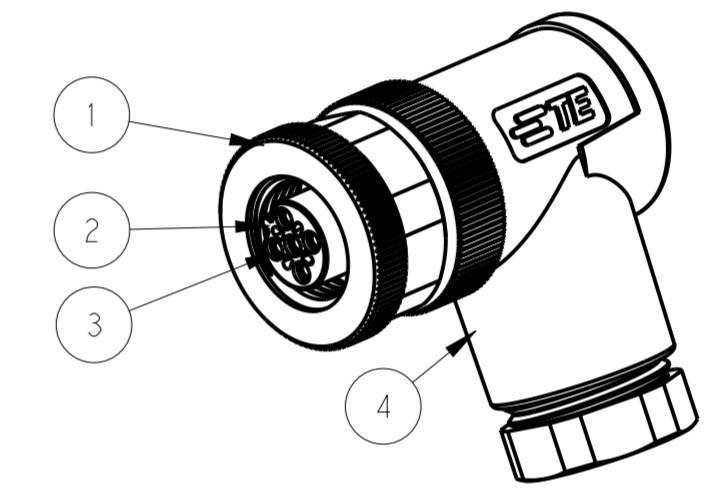


PG7 SCALE 3:2



SW18 RECOMMENDED TORQUE 0.6 Nm

PG9 SCALE 3:2



PG9 SCALE 3:2

- NOTE:
- MATERIAL:
    - ITEM NO.1: NUT -BRASS
    - ITEM NO.2: HOUSING -PA
    - ITEM NO.3: CONTACT -BRONZE
    - ITEM NO.4: HOUSING BODY: -PBT+GF
  - CONTACT FINISH: GOLD OVER NICKEL OR SILVER OVER NICKEL
  - CABLE WIRES: 18AWG/0.75mm<sup>2</sup> Max. FOR 2-5 PINS
  - ALLDIMENSIONS ARE FOR NOMINAL REFERENCE ONLY UNLESS OTHERWISE STATED
  - PACKAGEING: IPIECE IN A BAG
  - PN INFORMATION

TECHNICAL DATA	T411240X02X-000	T411240X03X-000	T411240X04X-000	T411240X05X-000
RATED VOLTAGE	250V	250V	250V	60V
RATED CURRENT	4A	4A	4A	4A
POLLUTION DEGREE	3	3	3	3
OVERVOLTAGE CATEGORY	II	II	II	II
MATERIAL GROUP	II	II	II	II
CONTACT RESISTANCE	≤8mΩ	≤8mΩ	≤8mΩ	≤8mΩ
INSULATION RESISTANCE	>100MΩ	>100MΩ	>100MΩ	>100MΩ
DEGREE OF PROTECTION	IP67	IP67	IP67	IP67
OPERATION TEMPERATURE	-40~85°C	-40~85°C	-40~85°C	-40~85°C

PIN ARRANGEMENT B-CODE

T411240X02X-000	T411240X03X-000	T411240X04X-000
T411240X05X-000		

T4112402051-000	RPC-M12B-FR-5CON-PG9-MU
T4112401051-000	RPC-M12B-FR-5CON-PG7-MU
T4112402052-000	RPC-M12B-FR-5CON-PG9-M
T4112401052-000	RPC-M12B-FR-5CON-PG7-M
T4112402041-000	RPC-M12B-FR-4CON-PG9-MU
T4112401041-000	RPC-M12B-FR-4CON-PG7-MU
T4112402042-000	RPC-M12B-FR-4CON-PG9-M
T4112401042-000	RPC-M12B-FR-4CON-PG7-M
T4112402031-000	RPC-M12B-FR-3CON-PG9-MU
T4112401031-000	RPC-M12B-FR-3CON-PG7-MU
T4112402032-000	RPC-M12B-FR-3CON-PG9-M
T4112401032-000	RPC-M12B-FR-3CON-PG7-M
T4112402021-000	RPC-M12B-FR-2CON-PG9-MU
T4112401021-000	RPC-M12B-FR-2CON-PG7-MU
T4112402022-000	RPC-M12B-FR-2CON-PG9-M
T4112401022-000	RPC-M12B-FR-2CON-PG7-M
TE PN	TYPE

T411240XXXX-000

CONTACT FINISH:  
 1: GOLD OVER NICKEL  
 2: SILVER OVER NICKEL

NUMBERS OF PINS:  
 02: 2 PINS  
 03: 3 PINS  
 04: 4 PINS  
 05: 5 PINS  
 08: 8 PINS

CABLE OUTLET:  
 1: PG7(CABLE FEED: 4-6mm)  
 2: PG9(CABLE FEED: 6-8mm)

BRAND:  
 T: W/ TE LOGO

THIS DRAWING IS A CONTROLLED DOCUMENT.		DWN HAO WANG 08JAN2015	TE Connectivity
		CHK KOBBY ZHAO 08JAN2015	
		APVD XIANG XU 08JAN2015	
		NAME M12 FEMALE, B CODE, RA UNSHIELDED CONNECTOR SCREW TERMINAL	
DIMENSIONS: mm	TOLERANCES UNLESS OTHERWISE SPECIFIED:	PRODUCT SPEC 108-106140	SIZE A2
	0 PLC ±0.2	APPLICATION SPEC 114-137144	CAGE CODE -
	1 PLC ±0.2	WEIGHT -	DRAWING NO. C-T411240XXXX000
	2 PLC ±0.2	CUSTOMER DRAWING	RESTRICTED TO
	3 PLC ±	SCALE 2:1	SHEET 1 OF 1
	4 PLC ±		REV A2
MATERIAL TBD	ANGLES ±		
	FINISH -		